



# KB

## LED Corncob Bulb



### KB

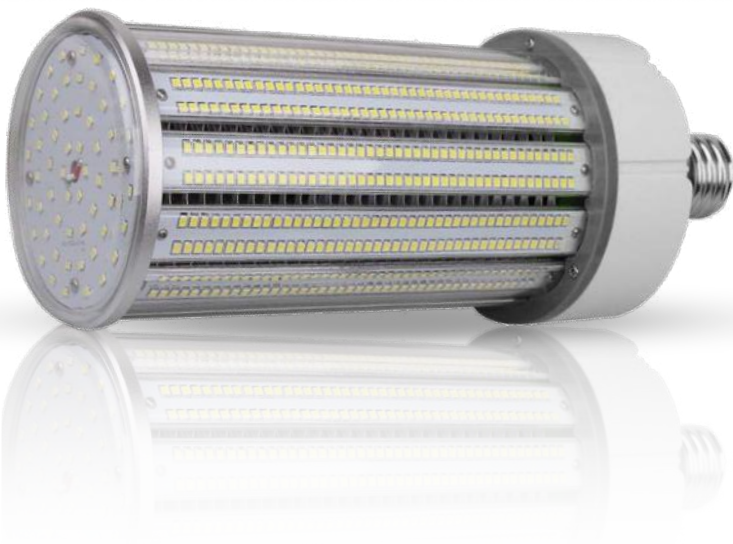
Beyond LED Technology's KB Corncob High wattage LED retrofits are designed to reduce the power consumed, in fixtures traditionally used with metal halide or high-pressure sodium lamps, while still producing a high Lumen output. This 2020 version is the smallest, and shortest of its kind to fit such a wide range of fixtures. Suitable for use in enclosed fixtures, these high output LEDs are an excellent choice for post top lights, shoebox fixtures, and other HID fixtures.

- Up to 140 lumens per watt
- High-reliability internal driver
- Universal 100-277Vac
- Can safely be used in enclosed fixtures

# KB

## LED Corncob Bulb

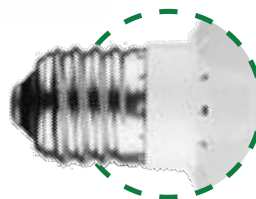
SKU #	Model #	Base	Watts	Lumens	CCT	Input Voltage	IP	Certifications
151359	BLT-CLW07E-012WXYA1-acK	E26	12W	1740Lm	5000K	100-277Vac	IP65	UL
151232	BLT-CLW07E-027WXYA1-abck	E26	27W	3915Lm	5000K	100-277Vac	IP65	UL
106534	BLTCLW150W57K	E39/E40	150W	18000Lm	5700K	100-277Vac	IP64	UL & DLC
151013	BLT-CLW03-200WAC1-E-50K	E39	200W	26000Lm	5000K	100-277Vac	IP64	UL



**E26 Base**

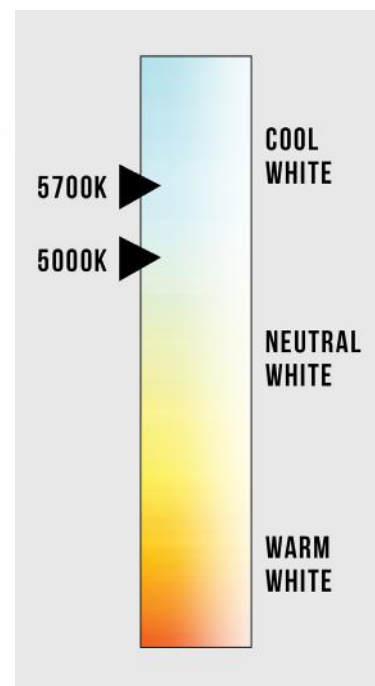


**EX39 Base**



**E39/E40 Base**

### CORRELATED COLOR TEMPERATURE (CCT)



(866) 786-1117 • [www.BeyondLEDTechnology.com](http://www.BeyondLEDTechnology.com)

Due to continuous product improvement, information in this document is subject to change.



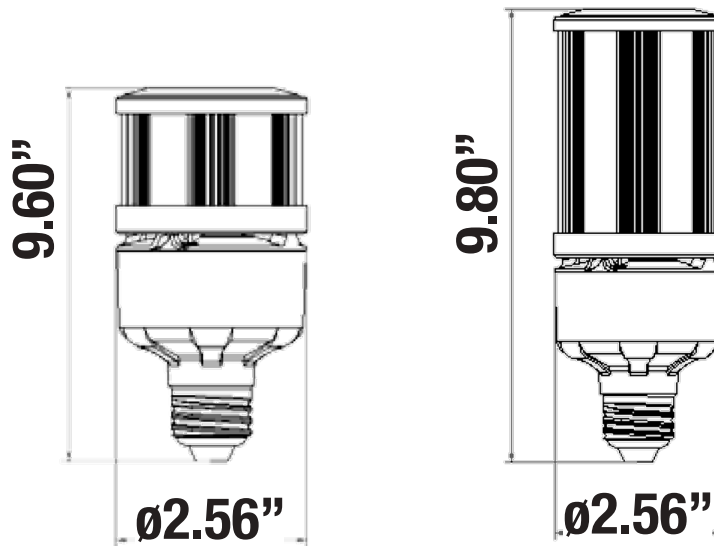
# KB

## LED Corncob Bulb

### Dimensions

**12W - E26**

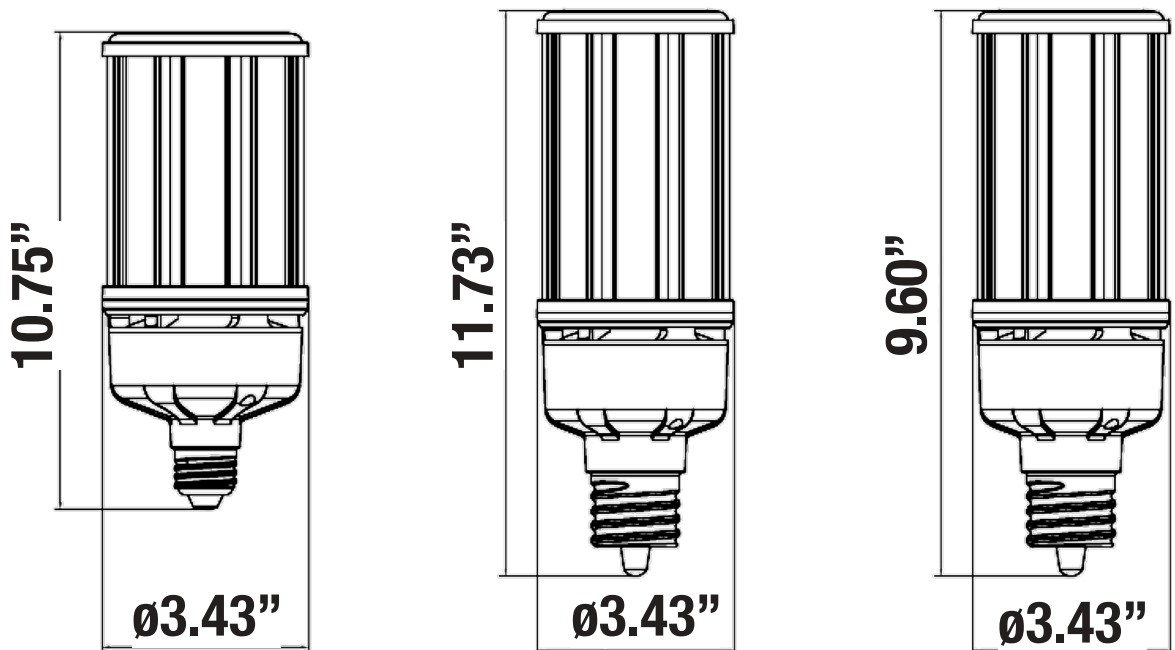
**27W - E26**



**36W - E26**

**45W - EX39**

**54W - EX39**

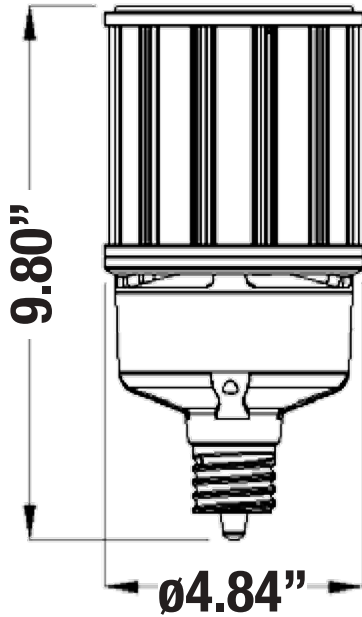


# KB

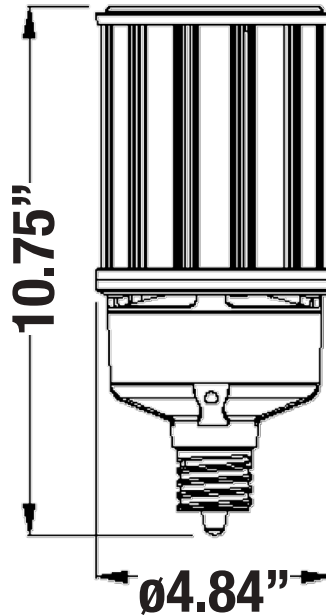
## LED Corncob Bulb

### Dimensions

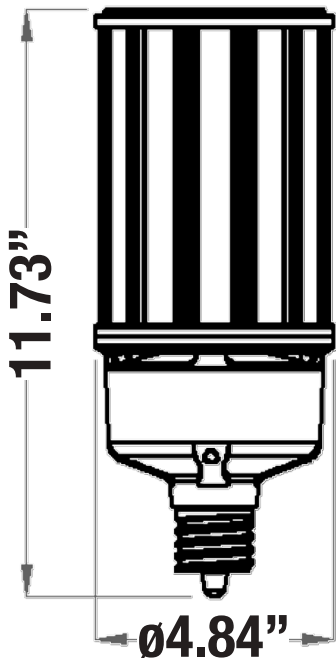
80W - EX39



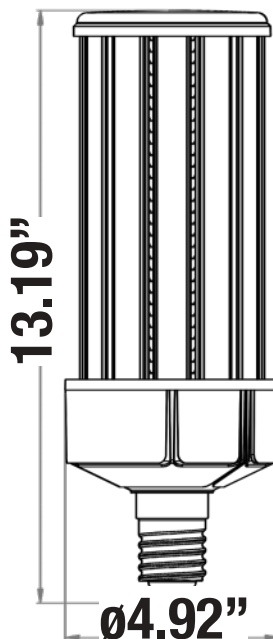
100W - EX39



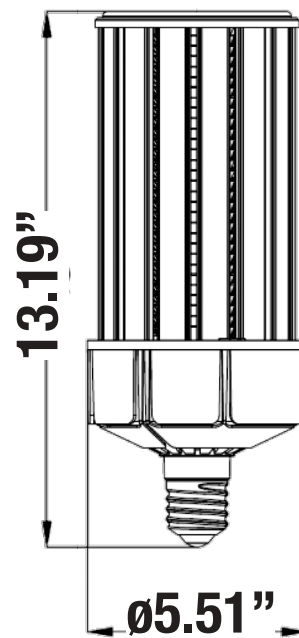
120W - EX39



150W - E39/E40



200W - E39





# KB

## LED Corncob Bulb

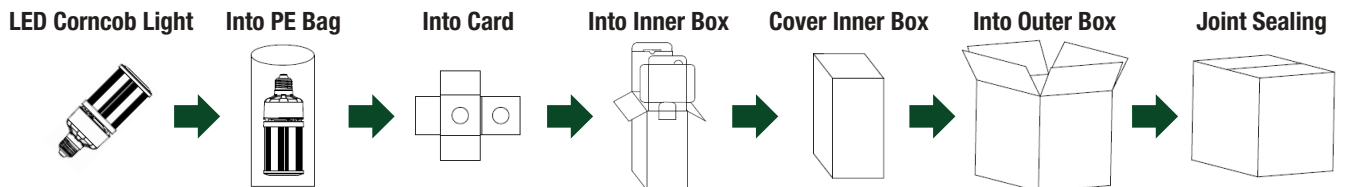
### 12W - Specifications

<b>OPTICAL</b>	Input Power	12W
	Lumen	1620-1740 LM (Clear) / 1440-1560 LM (Frosted)
	Lumen Efficacy	135-145LM/W (Clear) / 120-130 LM/W (Frosted)
	Color Temperature	5000K
	CRI	>80
	Viewing Angle	360 Degree
<b>ELECTRICAL</b>	Input Voltage	100-277VAC 50/60Hz
	PF	≥0.9
	THD	≤20%
	Equivalent	30W CFL, 50W MHL/HPS/HID
<b>MATERIALS</b>	LED Brand	Lumileds /SAMSUNG
	LED Type	SMD2835
	LED QTY	40 PCS
	Housing	PC + Aluminum
	Waterproof Rating	IP65
<b>OTHERS</b>	Operating Temperature	-40°F to 113°F
	Operating Humidity	20%-70% RH
	Storage Temperature	-40°F to 176°F
	Storage Humidity	10%-75% RH
	Warranty Time	5 Years



### Packaging

SKU #	Model #	Pcs/Box	Dimensions	Weight	Pallet Quantity	Pallet Weight	Pallet Dimensions
151359	BLT-CLW07E-012WXYA1-acK	1	7" X 3" X 3"	1 Lb			

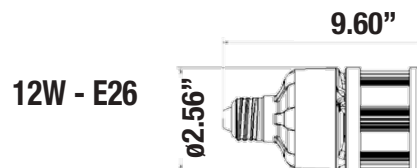
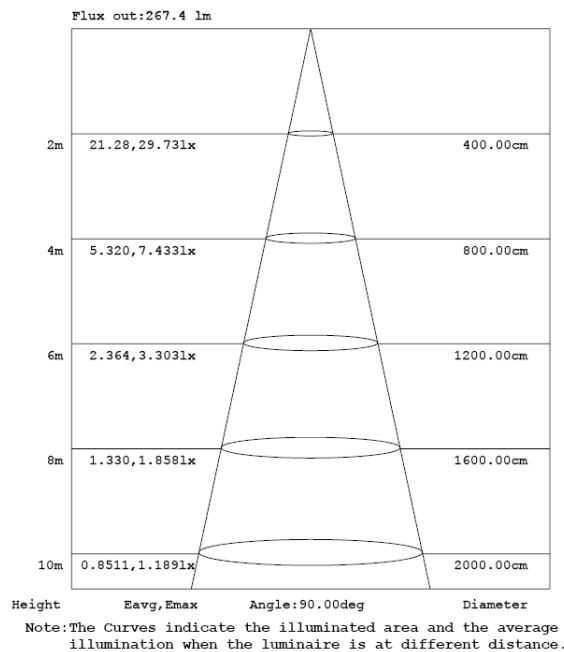
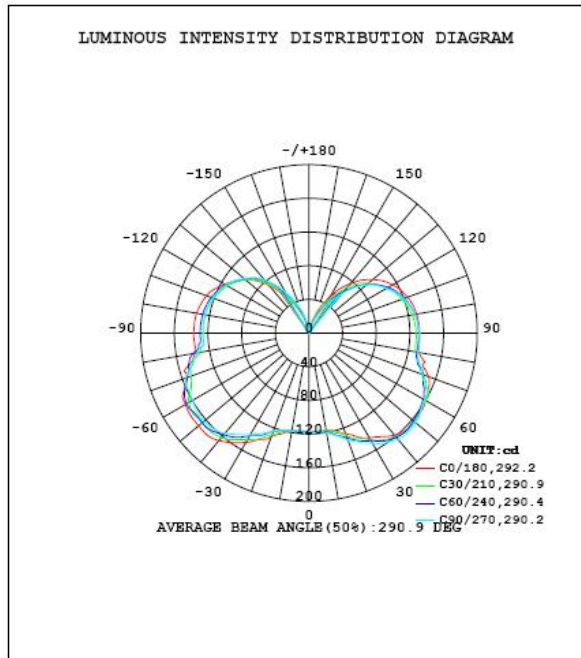


# KB LED Corncob Bulb

## Distribution Diagram

Remark: The testing data comes directly from the product test.

DATA OF LAMP		PHOTOMETRIC DATA Eff: 139.84 lm/W			
MODEL		Imax (cd)	173.7	S/MH (C0/180)	2.05
NOMINAL POWER (W)	12	LOR (%)	100.0	S/MH (C90/270)	1.96
RATED VOLTAGE (V)	120	TOTAL FLUX (lm)	1535.2	$\eta$ UP, DN (C0-180)	19.3, 30.1
NOMINAL FLUX (lm)	1535.21	CIE CLASS	SEMI-D.	$\eta$ UP, DN (C180-360)	20.3, 30.3
LAMPS INSIDE	1	$\eta$ up (%)	39.6	CIBSE SHR NOM	2.00
TEST VOLTAGE (V)	120	$\eta$ down (%)	60.4	CIBSE SHR MAX	0.00





# KB LED Corncob Bulb

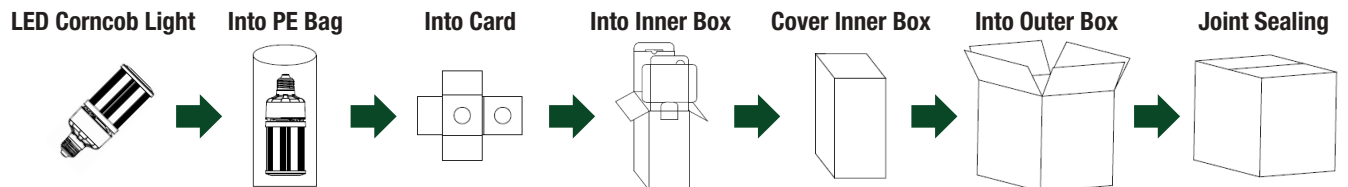
## 27W - Specifications

<b>OPTICAL</b>	Input Power	27W
	Lumen	3645-3915 LM (Clear) / 3240-3510 LM (Frosted)
	Lumen Efficacy	135-145LM/W (Clear) / 120-130 LM/W (Frosted)
	Color Temperature	5000K
	CRI	>80
	Viewing Angle	360 Degree
<b>ELECTRICAL</b>	Input Voltage	100-277VAC 50/60Hz
	PF	≥0.9
	THD	≤20%
	Equivalent	60W CFL, 100W MHL/HPS/HID
<b>MATERIALS</b>	LED Brand	Lumileds /SAMSUNG
	LED Type	SMD2835
	LED QTY	98PCS
	Housing	PC + Aluminum
	Waterproof Rating	IP65
<b>OTHERS</b>	Operating Temperature	-40°F to 113°F
	Operating Humidity	20%-70% RH
	Storage Temperature	-40°F to 176°F
	Storage Humidity	10%-75% RH
	Warranty Time	5 Years



## Packaging

SKU #	Model #	Pcs/Box	Dimensions	Weight	Pallet Quantity	Pallet Weight	Pallet Dimensions
151232	BLT-CLW07E-027WXYA1-abcK	1	9" X 3" X 3"	1 Lb			



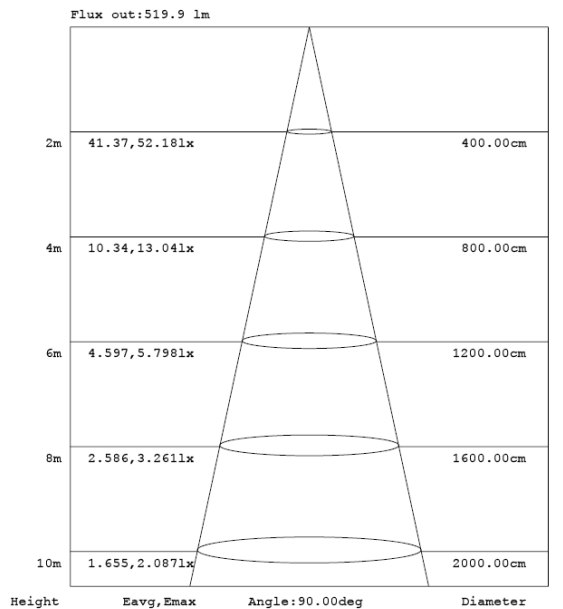
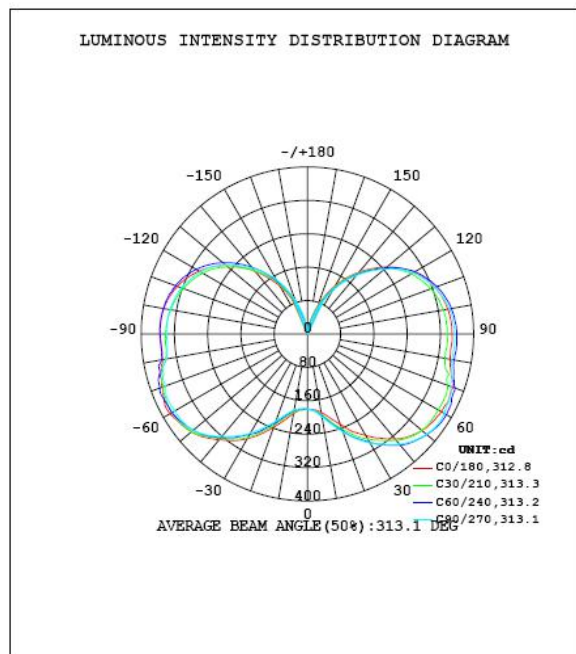
# KB

## LED Corncob Bulb

### Distribution Diagram

Remark: The testing data comes directly from the product test.

DATA OF LAMP		PHOTOMETRIC DATA Eff: 140.36 lm/W			
MODEL		I <sub>max</sub> (cd)	392.7	S/MH (C0/180)	2.50
NOMINAL POWER (W)	27	LOR (%)	100.0	S/MH (C90/270)	2.47
RATED VOLTAGE (V)	120	TOTAL FLUX (lm)	3718.7	η UP, DN (C0-180)	21.4, 28.6
NOMINAL FLUX (lm)	3718.68	CIE CLASS	DIFFUSE	η UP, DN (C180-360)	21.9, 28.1
LAMPS INSIDE	1	η up (%)	43.3	CIBSE SHR NOM	2.00
TEST VOLTAGE (V)	120	η down (%)	56.7	CIBSE SHR MAX	0.00





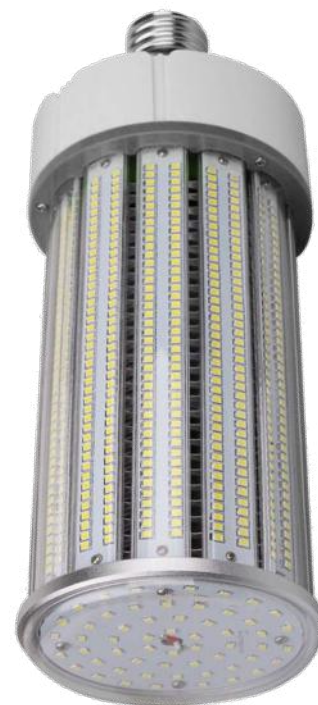


# KB

## LED Corncob Bulb

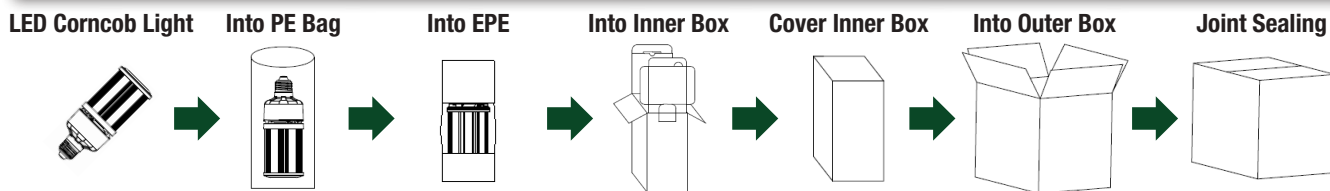
### 150W - Specifications

PRODUCT SPECIFICATIONS	
Light Type	Corn Light
Dimension	Ø4.92126" X 13.189"
Technical Characteristic	
Color temperature	5700K
CRI	> 80
Lumen	18000Lm
Lumen Efficacy	Up to 140 lumens per watt
Input Power	150 W
Viewing Angle	360 degree
Input Voltage	AC100-277V 50/60Hz
PFC	> 90%
Equivalent	400W MHL/HPS/HID
Waterproof Rating	IP64
MATERIALS	
LED Brand	EPISTAR
LED Type	SMD2835
LED QTY	1064 PCS
Housing	PC+AL
Housing color	White+Grey
OTHERS	
Operating Temperature	-4°F to 113°F
Operating Humidity	20%-70% RH
Storage Temperature	-22°F to 176°F
Storage Humidity	10%-75% RH
Application	Indoor/Outdoor
Safety Certification	UL, CUL
Warranty Time	5 Years



### Packaging

SKU #	Model #	Pcs/Box	Dimensions	Weight	Pallet Quantity	Pallet Weight	Pallet Dimensions
106534	BLTCLW150W57K	1	15" X 6" X 6"	3 Lb			

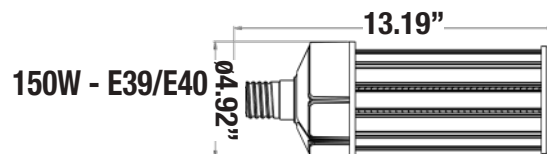
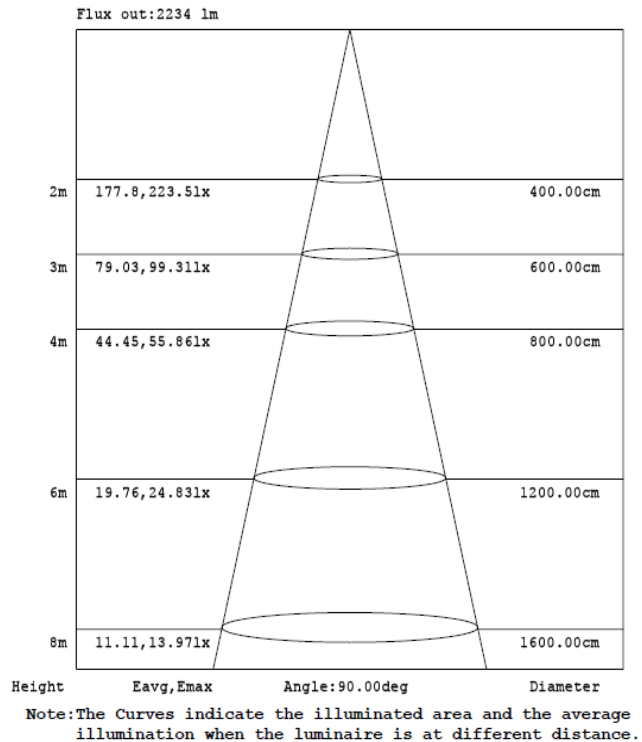
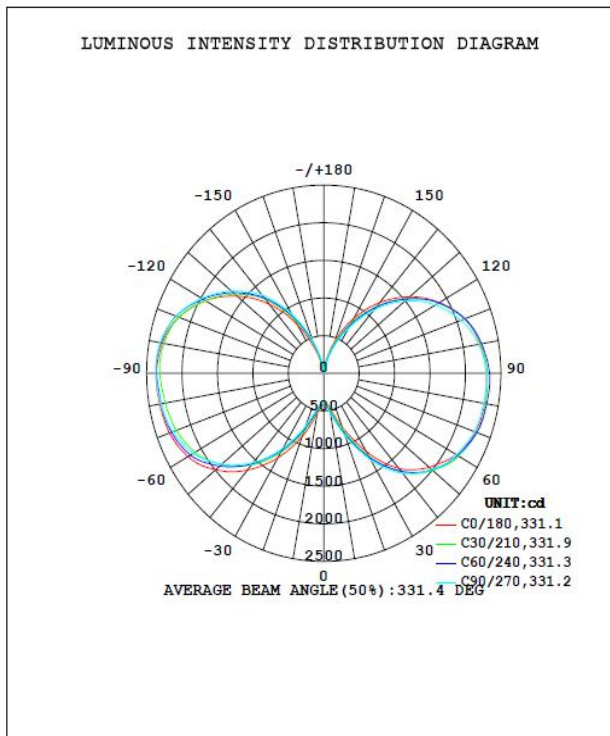


# KB LED Corncob Bulb

## Distribution Diagram

Remark: The testing data comes directly from the product test.

DATA OF LAMP		PHOTOMETRIC DATA <i>Eff: 147.49 lm/W</i>			
MODEL		I <sub>max</sub> (cd)	2399	S/MH (C0/180)	3.78
NOMINAL POWER (W)	150	LOR (%)	100.0	S/MH (C90/270)	3.74
RATED VOLTAGE (V)	120	TOTAL FLUX (lm)	21892	η UP, DN (C0-180)	22.8, 26.6
NOMINAL FLUX (lm)	21892	CIE CLASS	DIFFUSE	η UP, DN (C180-360)	23.7, 26.8
LAMPS INSIDE	1	η up (%)	46.6	CIBSE SHR NOM	2.00
TEST VOLTAGE (V)	120	η down (%)	53.4	CIBSE SHR MAX	0.00





# KB

## LED Corncob Bulb

### 200W - Specifications

Product name	LED Corn Light	
Lamp Base	E39	EX39
Dimension	Ø5.51181" X 13.189"	Ø5.51181" X 13.2677"

Color temperature	5000K
CRI	>80
Lumen-In Luminaires	26000Lm
Lumen Efficacy-In Luminaires	Up to 140 lumens per watt
Input Power	200 W
Viewing Angle	360 degree
Input Voltage	AC100-277V 50/60Hz
PF	≥0.9
Equivalent	600W MHL/HPS/HID
Waterproof Rating	IP64

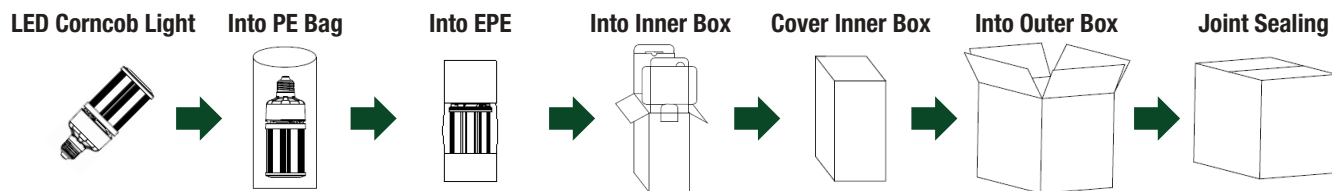
LED Type	SMD2835
LED QTY	608 PCS
Housing	PC + AL
Housing color	White

Operating Temperature	-4°F to 113°F
Operating Humidity	20%-70% RH
Storage Temperature	-22°F to 176°F
Storage Humidity	10%-75% RH
Application	Indoor / Outdoor
Safety Certification	UL cUL DLC
Warranty Time	5 Years



### Packaging

SKU #	Model #	Pcs/Box	Dimensions	Weight	Pallet Quantity	Pallet Weight	Pallet Dimensions
151013	BLT-CLW03-200WAC1-E-50K	1	15" X 7" X 7"	4 Lb			



# KB LED Corncob Bulb

## Distribution Diagram

Remark: The testing data comes from the product in luminares.

### Luminaire Property

Luminaire Manufacturer:  
Voltage: 119.8 V  
Power: 196.04 W

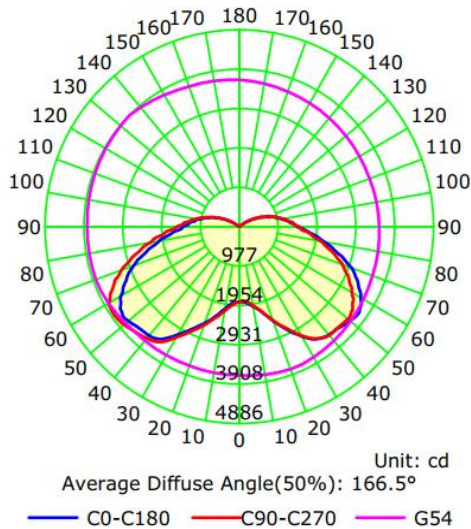
Current: 1.6439 A  
Power Factor: 0.9938

### Photometric Results

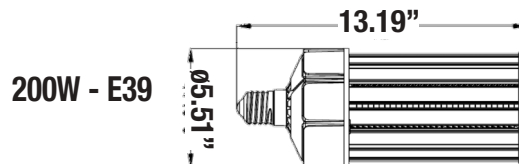
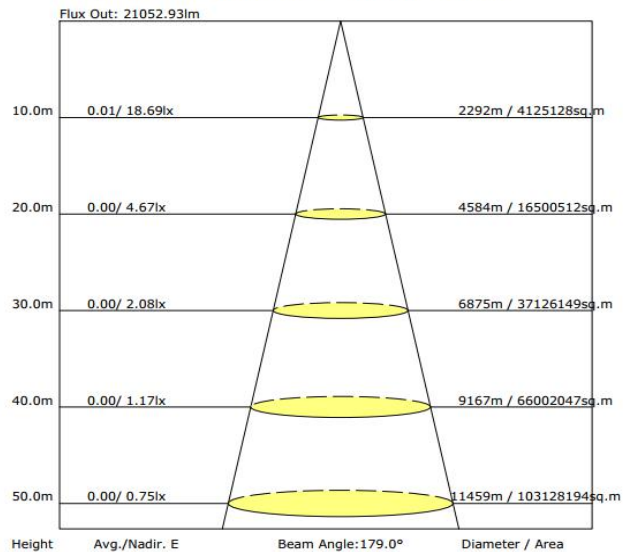
IES Classification: Type IV  
Total Rated Lamp Lumens: 21261.2 lm  
Efficiency: 100%  
Upward Ratio: 14%  
Central Intensity: 1869.19 cd  
Pos of Max. Intensity: H225 V54

Longitudinal Classification: Very Short  
Measurement Flux: 21261.2 lm  
Downward Ratio: 86%  
Luminaire Efficacy Rating (LER): 108.45  
Max. Intensity: 3908.88 cd

Luminous Intensity Distribution Curve



The Average Illuminance Effective Figure

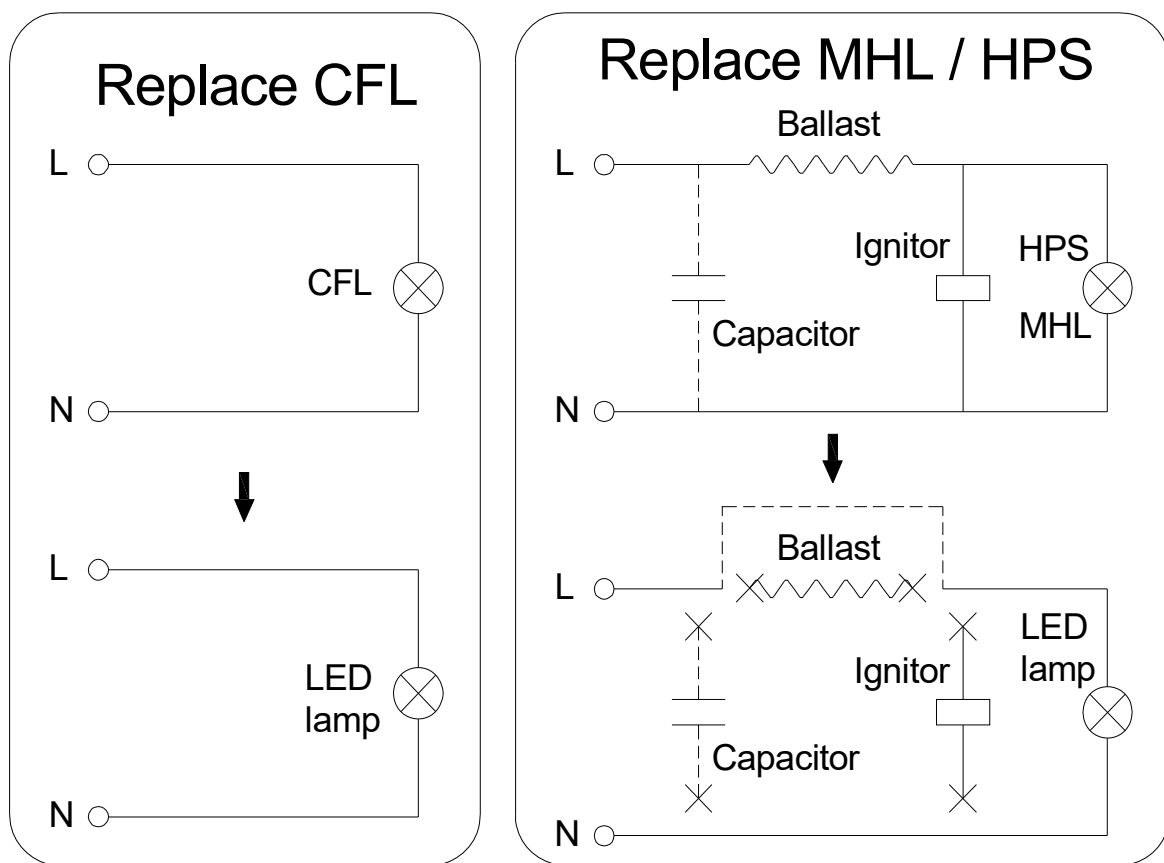


# KB

## LED Corncob Bulb

### User Notice

- Please turn off the power before installing or changing assembly parts.
- The input voltage and lamps should be matching. Before connecting the power line, please make sure the wiring section is insulated.
- Make sure to remove or bypass the ballast in the fixtures before installing the lamps.
- Suitable for damp locations. Do not use with dimmers.
- Suitable for use in enclosed luminaires.
- Only professionals should install and disassemble the lamps.



### Trouble Shooting

#### Problem

- Flickering light
- Not working

#### Solutions

- Turn off the power and turn on again in 3 minutes. If the same phenomena occurs, then call Support.
- Please check all power connections.

# KB

## LED Corncob Bulb

