



Product Features

- Constant voltage design
- High transfer efficiency
- Working temperature: -20°C~+50°C
- Stable constant voltage output
- Typical efficiency: >83%
- IP67, both indoor & outdoor use suitable
- 100% full loading, 100% burn-in tested
- Overload/short circuit protection
- UL Listed

SKU #	Model #	Watt	Input Voltage	Output Voltage	Max. Output Current	Environment	IP	Certification
156674	JLV-12100KA-US	100W	100-134Vac	12V DC	8.34A	Indoor & Outdoor	IP67	UL



Specifications

Parameter	Description	Value
Output	Model #.	JLV-12100KA-US
	DC Voltage	12V
	Rated Current	8.34A
	Current Range	0-8.34A
	Wattage	100W
	Ripple & Noise (Max.)	<200mVp-p
	Voltage Tolerance Note3	1%
	Line Regulation	1%
	Load Regulation	1%
	Output groups	1
	Setup, Rise Time	1000ms/120VAC
Holding Time (Typ.)	16mS	
Input	Voltage Range Note 2	90-140V
	Input Voltage	100-134V
	Frequency Range	50/60Hz
	Efficiency (Typ.)	>83%
	AC Input Current	120V: 1.4A max.
	Inrush Current (Typ.)	40A
	Leakage current	5mA/120VAC
Protection	Over Load	Yes, active when overload 10~20%
		Production type: Output Voltage drops
	Short Circuit	Yes, hiccup mode, recovers automatically after fault condition is removed
Enviroment	Over voltage	Yes
	Over Temperature	No
	Working Temperature	-25°C~50°C
	Working Humidity	20~95%RH
	Storage Temperature	-40°C~80°C
	Storage Humidity	10~95%RH
	Temperature Coefficient	/
Vibration	/	



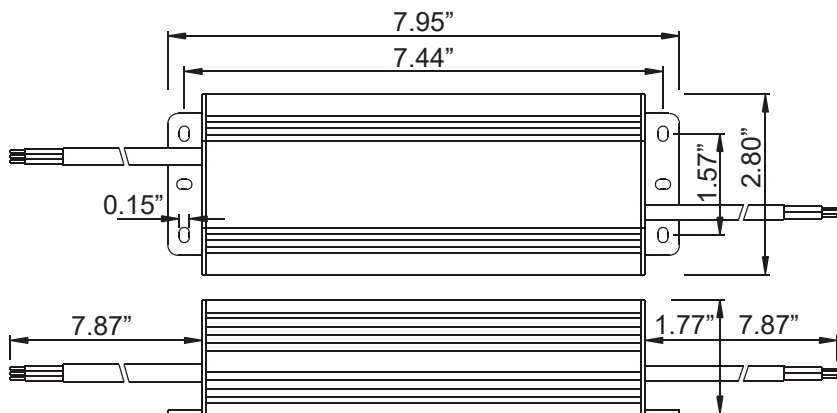
Safe & EMC	Safety Standards	EN 61347-2-13, IP67 Waterproof Rating
	Withstand voltage	I/P-O/P: 3750VAC/1min/<5mA
	Isolation Resistance	I/P-O/P: >100M Ohms / 500VDC/25°C / 70%RH
	EMC Emission	/
	EMC Immunity	/
Others	MTBF	/
	Product Dimension	7.95 x 2.80 x 1.77 (Inches)
	Product Packaging	10.43 x 9.05 x 8.07 (Inches)

Installation Tips:

- Please identify the power supply's input and output before installation.
- Ensure correct output + & - wire connection. Power on after wire connection is done.
- To avoid voltage drop and loading capacity wasting on the output extension wire, please install the power supply to the loading as near as possible, if must use long extension wires, thicker wires and less loading wattage is required.
- The power supply to be installed at good ventilation and cooling environment.



Mechanical Specification



Product Dimension: 7.95 x 2.80 x 1.77"

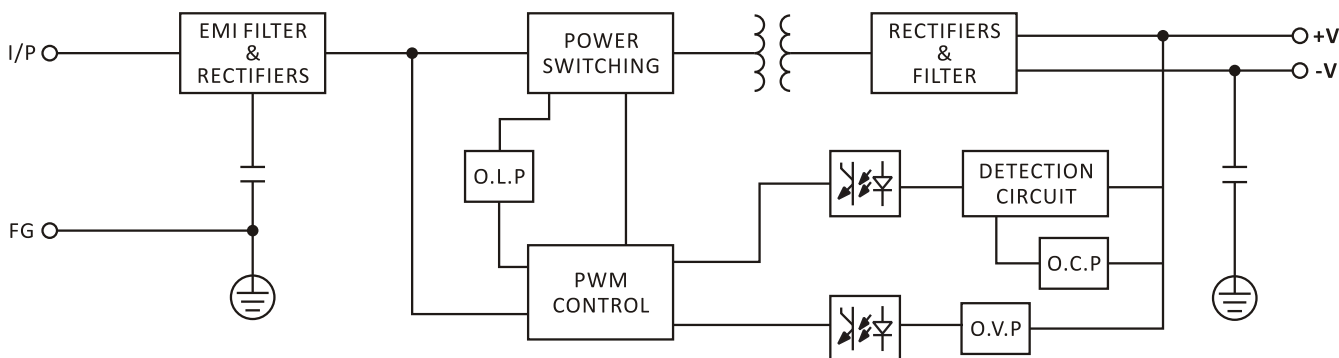
Product Net Weight: 1.95 LBS

Input: 18AWG*3C, White L, Black N
200mm length

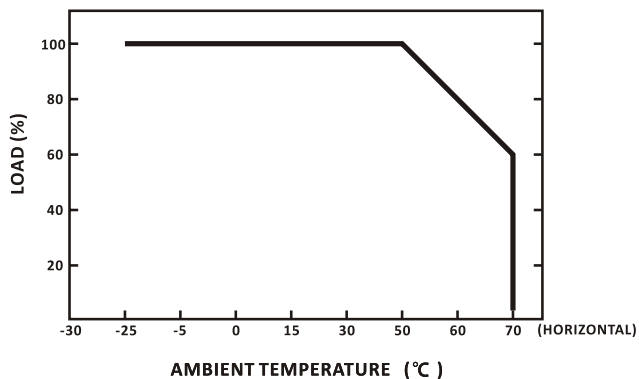
Output: 18AWG*2C White +, Black -
200mm length

Housing: Aluminium

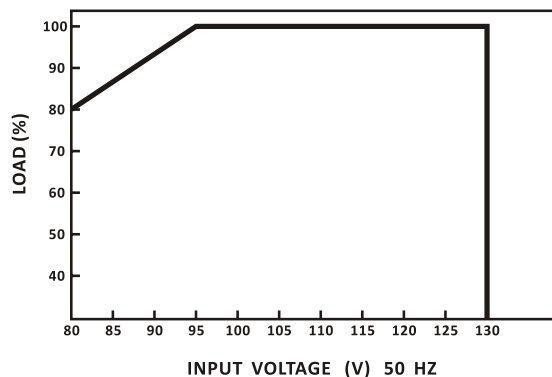
Block Diagram



Derating Curve



Static Characteristics





Package

SKU #	Carton (Inch)	Qty / Carton	Product Net Weight	Gross Weight / Ctn.
156674	10.43 x 9.05 x 8.07	10 PCS	1.95LBS	21.25LBS

Warranty

3 Years Warranty