



## Product Features

- Constant voltage design
- Plastic housing, LPV standard
- High transfer efficiency
- Super-thin: 16.3mm height
- Working temperature: -25°C~+50°C
- IP67, for both indoor & outdoor
- 100% full loading, 100% burn-in tested
- Overload/short circuit protection
- Typical efficiency: >87%
- UL Listed

SKU #	Model #	Watt	Input Voltage	Output Voltage	Max. Output Current	Environment	IP	Certification
156672	JLV-120 PA-U	36W	100-130Vac	12V DC	3A	Indoor & Outdoor	IP67	UL



## Specifications

Parameter	Description	Value
Output	DC Voltage	12V
	Rated Current	3A
	Current range	0-3A
	Wattage	36W
	Ripple & Noise (Max.)	<200mVp-p
	Voltage Tolerance Note3	1%
	Line Regulation	1%
	Load Regulation	1%
	Output groups	1
	Setup, Rise Time	1500ms/230VAC
	Holding Time (Typ.)	16mS
Input	Voltage Range Note 2	90-140V
	Input Voltage	100-130V
	Frequency Range	50/60Hz
	Power Factor (Typ.)	>0.9
	Efficiency (Typ.)	>87%
	AC Input Current	0.54A max
	Inrush Current (Typ.)	60A
Protection	Leakage current	3mA/230VAC
	Over Load	Yes, output cut-off while overload 10-20%
Enviroment	Short Circuit	Yes, hiccup mode, recovers automatically after fault condition is removed
	Over voltage	yes
	Over Temperature	No
	Working Temperature	-25°C~50°C
	Working Humidity	20~99%RH
	Storage Temperature	-40°C~ 75°C
	Storage Humidity	10~99%RH
	Temperature Coefficient	/
Vibration	/	



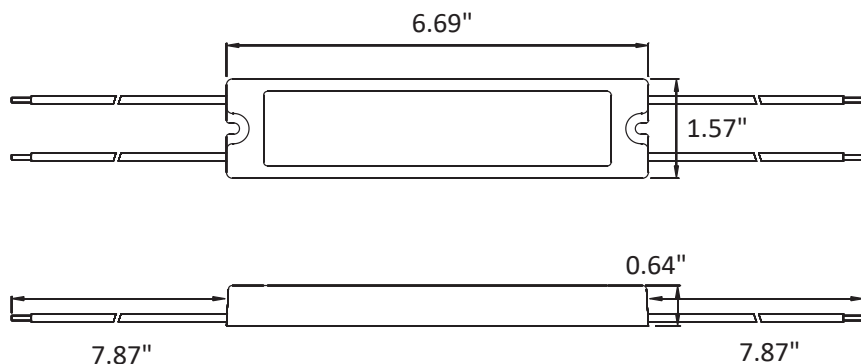
Safe & EMC	Safety Standards	Compliance to UL 1310, 8750, CLASS 2, IP67 Waterproof Rating
	Withstand voltage	I/P-O/P: 3KV AC; O/P-GND: 0.5KV AC
	Isolation Resistance	I/P-O/P: >100M Ohms / 500VDC/25°C / 70%RH
	EMC Emission	/
	EMC Immunity	/
Others	MTBF	/
	Product Dimension	6.69 x 1.57 x 0.64"
	Product Packaging	17.32 x 9.44 x 5.7"

## Installation Tips:

- Please identify the power supply's input and output before installation.
- Ensure correct output + & - wire connection. Power on after wire connection is done.
- To avoid voltage drop and loading capacity wasting on the output extension wire, please install the power supply to the loading as near as possible, if must use long extension wires, thicker wires and less loading wattage is required.
- The power supply to be installed at good ventilation and cooling environment



## Mechanical Specification



Product Dimension: 6.69 x 1.57 x 0.64

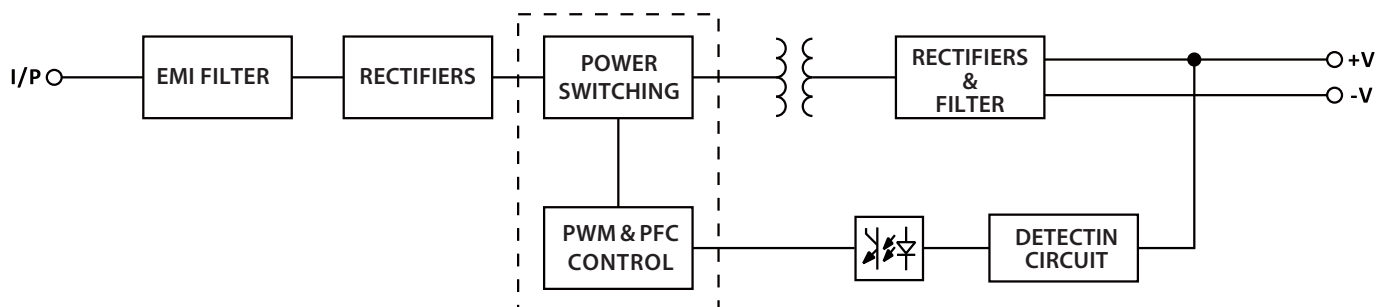
Product Net Weight: 0.33LBS

Input: 2x18 AWG, Wire L, White N  
7.87" (200mm) length

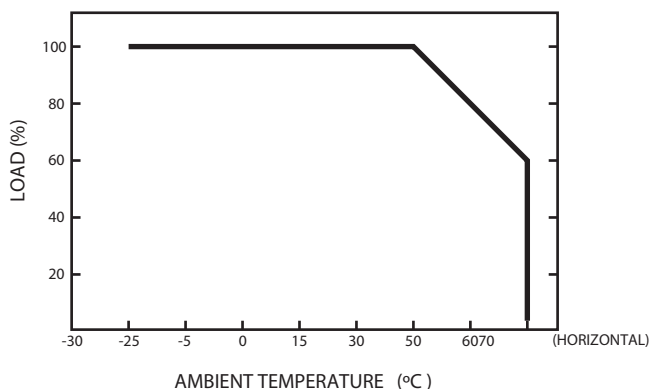
Output: 2x18 AWG Wire, Red +, Black -  
7.87" (200mm) length

Housing: Plastic (ABS)

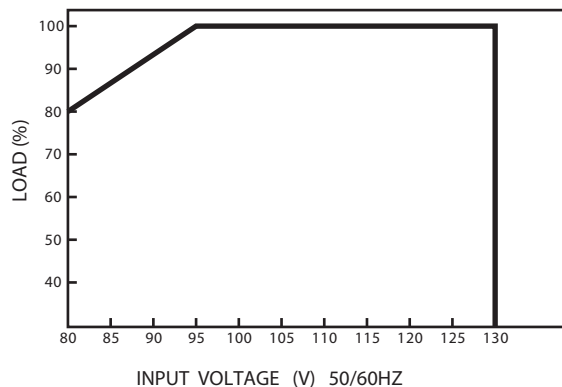
## Block Diagram



## Derating Curve



## Static Characteristics





## Package

SKU #	Carton (Inch)	Qty / Carton	Product Net Weight	Gross Weight / Ctn.
156672	17.32 x 9.44 x 5.7	80 PCS	0.33LBS	28.66 LBS

## Warranty

3 Years Warranty