



H5™

Red & Green Switchable Dual Exit Sign



Make the most of your buildings Exit Signage with our variety of specialized Emergency and Exit Lights. When looking for illumination when you need it most, LED exit signs offer the brightness you need in emergency situations and in case of a fire, exit signs can save lives. Beyond LED provides signs to completely with building fire codes and insurance standards.

Product Features

- Output Power: 2W
- 2x1W SMT LED Lamp Heads
- CCT Adjustable: 6000K / 7000K
- Letters 6"height with 3/4"stroke.Optional RED or GREEN letters
- Single or Double Face
- Universal J-box mounting pattern.
- 6 LEDs for Red version/ 6 LEDs for Green version+2 lamp heads
- Minimum 90 minutes emergency operation
- 120/277Vac voltage operation
- 3.6V 1000mAh battery
- UL Listed
- 3 Years warranty



Red & Green Switchable Dual Exit Sign



SKU: 156732 Specifications

Parameter	Description	Value
General Performance	Model	JLECE2BCW
	Mode of operation	Maintained
	Input Voltage	120-277V
	Frequency	50/60Hz
	Wattage	2W Max
	Output Voltage	5.0V
	Output Power	2W
	Lumens Output	>200LM
	Colour Temperature	6000K / 7000K
	Battery	3.6V 1000mAh battery
	Max Charge Current (mA)	80mA
	Max Discharge Current (mA)	650mA
	Charging Time	24H
	Emergency Run Time	90 Mins
	Discharge Time	2 Hours
	Lens	BC(BI-COLOR)
	LED Type	6 LEDs for red version/ 6 LEDs for green version+2 lamp heads
	Net Weight	2.26 LBS
	Gross Weight	2.79 LBS
	IP Rating	IP20
Certification	UL	
Cover	Transparent, Sanding, white	

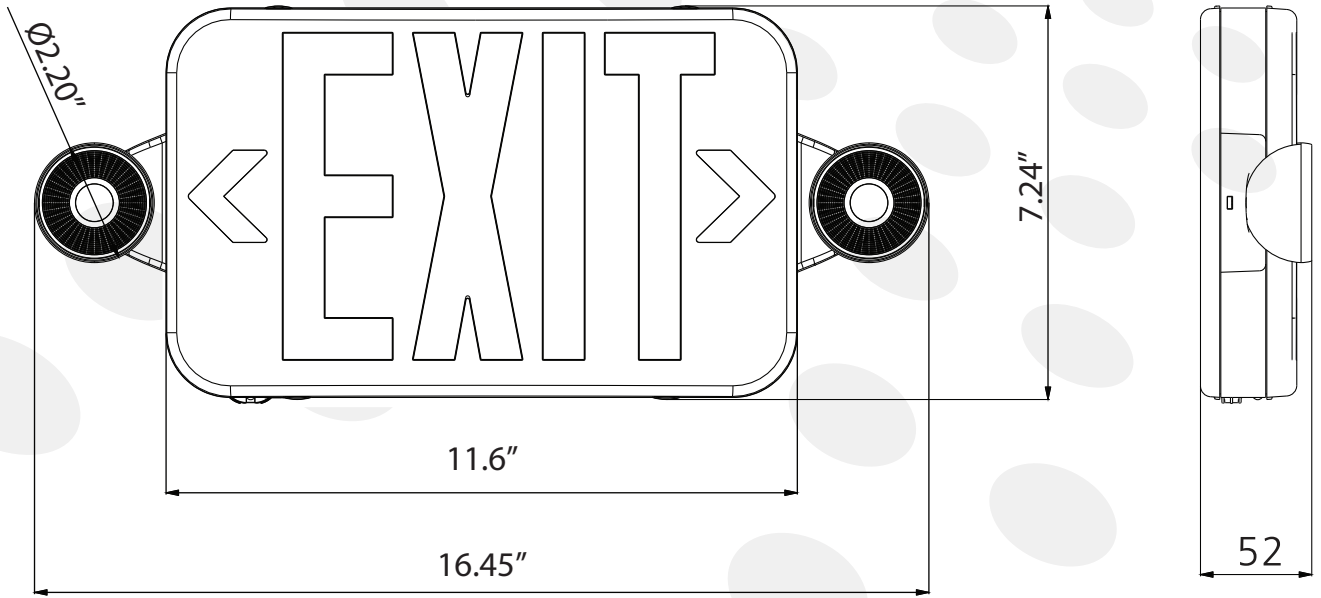
LED EMERGENCY LIGHTS



H5™

Red & Green Switchable Dual Exit Sign

Dimensions





Installation

When using electrical equipment, always adhere to basic safety precautions including the following:

IMPORTANT

The battery in this unit may not be fully charged. After electricity is connected to unit, let battery charge for at least 24 hours, then normal operation of this unit should take effect. To check, press TEST button. The emergency LED lamps should illuminate.

When re-lamping, use only LED lamps specified in the fixture. Using other lamp types may result in transformer damage or unsafe conditions.

READ AND FOLLOW ALL SAFETY INSTRUCTIONS

1. Do not use outdoors.
2. Equipment should be mounted securely in locations and at heights where it will not be readily subjected to tampering by unauthorized personnel.
3. Do not mount near gas or electric heaters.
4. Cap unused wires with enclosed wire nuts or other approved method.
5. Do not use this equipment for anything other than its intended use.
6. The use of accessory equipment not recommended by the manufacturer will void product listing and warranty and may cause an unsafe condition.
7. Disconnect AC power before servicing and installation.
8. Consult local building code for approved wiring and installation.
9. Use caution when servicing batteries.
10. Any service on this equipment should be performed by qualified personnel only.
11. Make sure wire terminations are secure and leads are properly tucked in appropriate wire channels.

INSTALLATION (CEILING MOUNT)

1. Remove faceplate and set aside.
2. Connect 20-inch jumper leads to AC input leads in J-box. Fasten J-Box bracket to J-Box. Use red wire for 120 - 277V. White wire is common.
3. Fasten canopy to J-Box bracket.
4. Remove canopy hole cover on the top and snap housing to canopy.
5. Connect and trim input leads and slide 5. through the canopy and connect to supply leads in the J-Box.
6. Connect battery only after continuous. AC power can be provided to the unit.
7. Remove proper chevron(s) as required.
8. Secure face plate(s) to housing

INSTALLATION (WALL MOUNT)

1. Remove faceplate and backplate and set aside.
2. Connect 20-inch jumper leads to AC input leads in J-Box. Fasten J-Box bracket to J-Box. Use red wire for 120 -277V. White wire is common.
3. Remove necessary knockouts and fasten back plate to J-Box cover.
4. Snap housing on to back plate.
5. Connect and trim input leads and slide through the hole in the backplate and connect to supply leads in J-Box.
6. Connect battery only after continuous AC power can be provided to the unit.
7. Remove proper chevron(s) as required.
8. Secure face plate(s) to housing.

Use Yellow & Blue wires for remote fixture(s). Route wires outside of fixture separately or with AC supply wires. Make sure to keep all wires out of the way of the EXIT LEGEND so there are no shadows.

Connection of remote emergency lights (If Applicable)

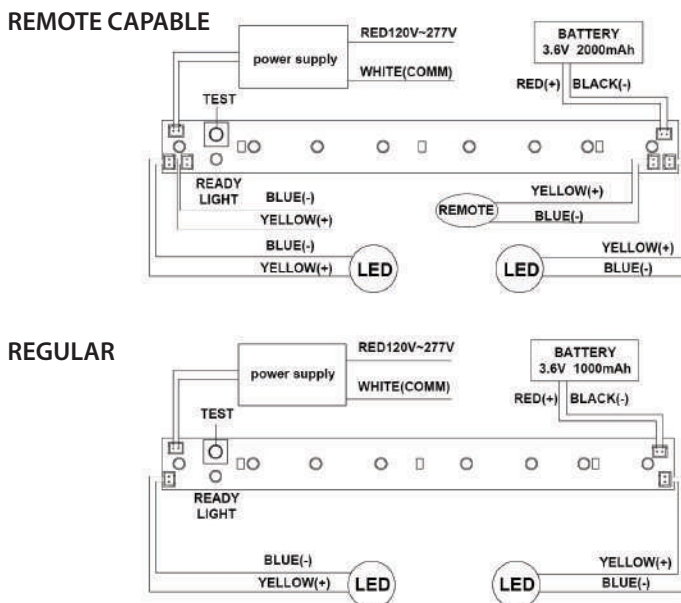


H5™

Red & Green Switchable Dual Exit Sign

Installation

WIRING DIAGRAM



OPERATION:

1. Apply AC power to the unit. The LED indicator should turn RED.
2. After the battery has been left to charge for 24 hours, test the unit by pushing the switch. The LED indicator turns OFF and the LED board stays ON.
3. When the switch is released, the LEDs turns OFF and LED indicator turns back to RED.

MAINTENANCE:

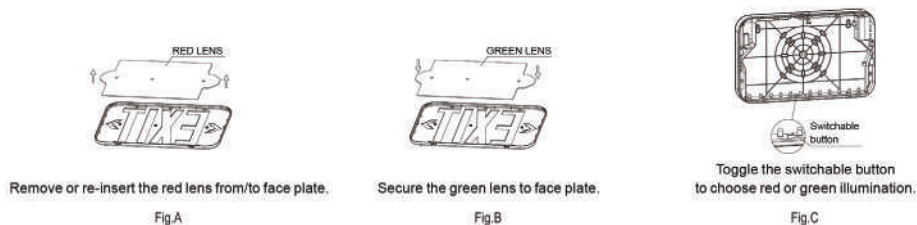
Caution : Always turn off AC power to the equipment before servicing. Servicing should be performed only by a qualified service technician. Use only MANUFACTURER supplied replacement parts.

BATTERY:

The battery with the Battery Backup model requires no maintenance. However, it should be periodically (see TESTING) and replaced when it no longer operates the connected fixtures for the duration of a 30-second or 90 minutes test. The battery supplied in this equipment has a life expectancy of 5 years when used in a normal temperature of 72°F.

TESTING:

National Electric Code (NEC) and NFPA life safety code regulations require that routine tests need to be performed as listed below: Once every month, the unit needs to be tested for duration 30 seconds. Push in and hold the test switch to perform this test. Once every 12 months, a full 90 minutes (per UL requirements) test needs to be performed on the unit. Disconnect power to the unit and leave it in the emergency mode. The LEDs should stay ON for at least 90 minutes.





PACKAGE

Box Type	Carton (Inch)	Qty / Carton	Net Weight / Carton	Gross Weight / Carton
Outer Box	17.12 x 8.07 x 5.51	2 Pcs/Box	3.3 LBS	4.3 LBS
Outer Box	17.91 x 9.25 x 18.11	6 Pcs/Box	11.8 LBS	16.3 LBS

Warranty

Five years warranty for the electrical parts and housing,
Three years warranty for battery.

Application Picture





H5™

Red & Green Switchable Dual Exit Sign

Application Picture



LED EMERGENCY LIGHTS