



FORTE™

LED Wall Pack



Beyond LED's FORTE wall pack is the newest, most innovative and feature rich product of 2023. It offers 4 Adjustable wattages and 3 Adjustable CCT with energy-efficient LED technology. FORTE comes with Built-in photocell. FORTE luminaires comes with die cast aluminum housing and glass lens to stand up for many years of punishing environmental conditions.

Product Features

- Up to 130 Lumens per watt
- 4 Adjustable Wattages 30W/60W/90W/120W
- 3 Adjustable CCT 3K / 4K / 5K
- High efficiency Lumileds 2835
- IP65 Rated
- Input voltage 120-277VAC
- 0-10V Dimmable
- Glass Diffuser
- Built-in Photocell
- UL & DLC Listed
- 5 Year warranty

FORTE™

LED Wall Pack



SKU #	Model #	Wattage Adjustable	Lumens	CCT Adj.	IP	Housing	Input Voltage	Certifications
156703	WP09-120L-CSP-3CCT	30W/60W/90W 120W	Max 15600Lm	3K/4K/5K	IP65	Bronze	120-277V	UL & DLC

SKU: 156703

Specifications

Parameter	Description	Value
General Performance	Model #	WP09-120L-CSP-3CCT
	Wattage Adjustable	30W / 60W / 90W / 120W
	Lumen	15600LM
	Lumen Efficacy	Up to 130LM/W
	Color Temperature	3000K / 4000K / 5000K
	CRI (Ra)	>80
	Beam Angle	102° Degree
	Diffuser Type	Glass Lens
Electrical	Input Voltage	120-277Vac
	Frequency	50/60Hz
	Dimming	0-10V
	Power Factor	≥0.95
	Driver Surge Protection	L-N: 2KV, L/N-PE: 4KV
	Driver Brand	BQ
	Driver Model	BQE120A-130
	Flicker Percent	≤30%
Physical	Operating Temperature	-30°C To 45°C
	Operating Humidity	5%RH To 95%RH
	Storage Temperature	-40°C To 80°C
	Storage Humidity	5%RH To 95%RH
	LED Brand	LUMILEDS
	LED Type	SMD2835
	LED QTY	392 PCS
	IP Rating	IP65
Qualification	Housing	Die-cast Aluminum
	Housing Color	Bronze
	Warranty	5 Year



FORTE™

LED Wall Pack

Product Features

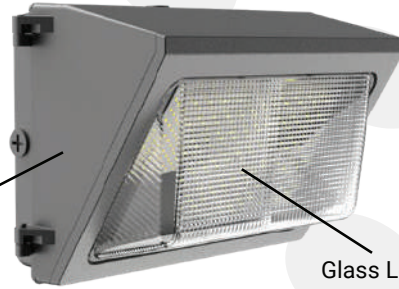
Screw-in
Photocell Sensor Optional



Integrated Photocell
Sensor Optional



DIP Switch - 3 CCT & 4 Wattages Adjustable
(3000K/4000K/5000K Adjustable)



Glass Lens



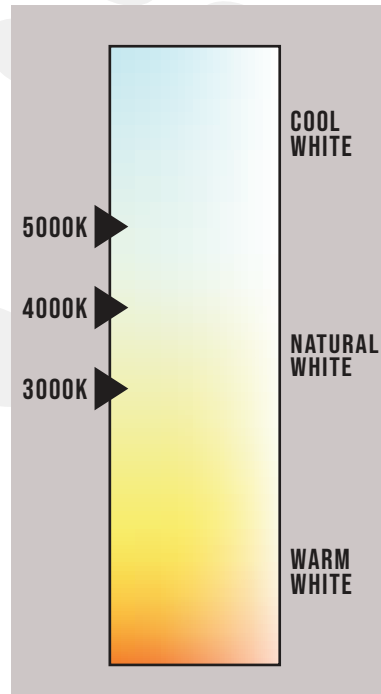
Screw-in Microwave
Motion Sensor Optional

FORTE™

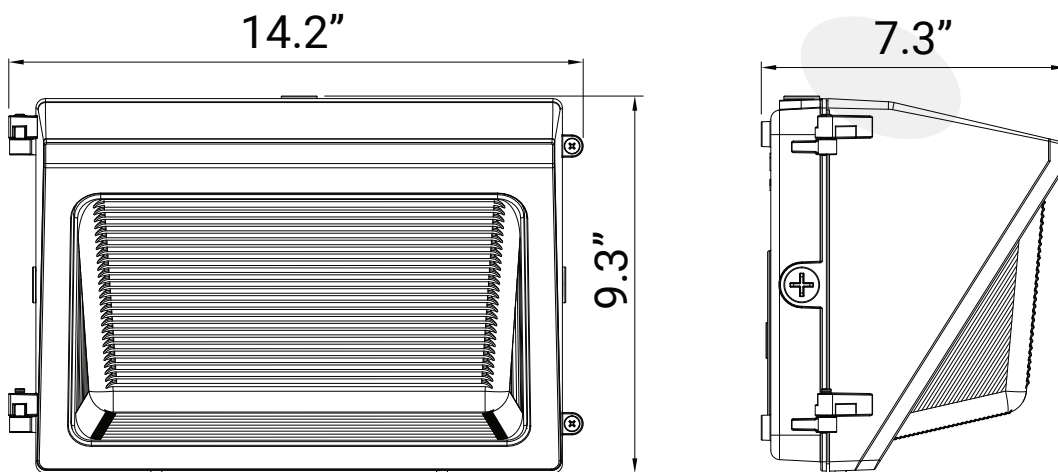
LED Wall Pack



Correlated Color Temperature (CCT)



Dimension



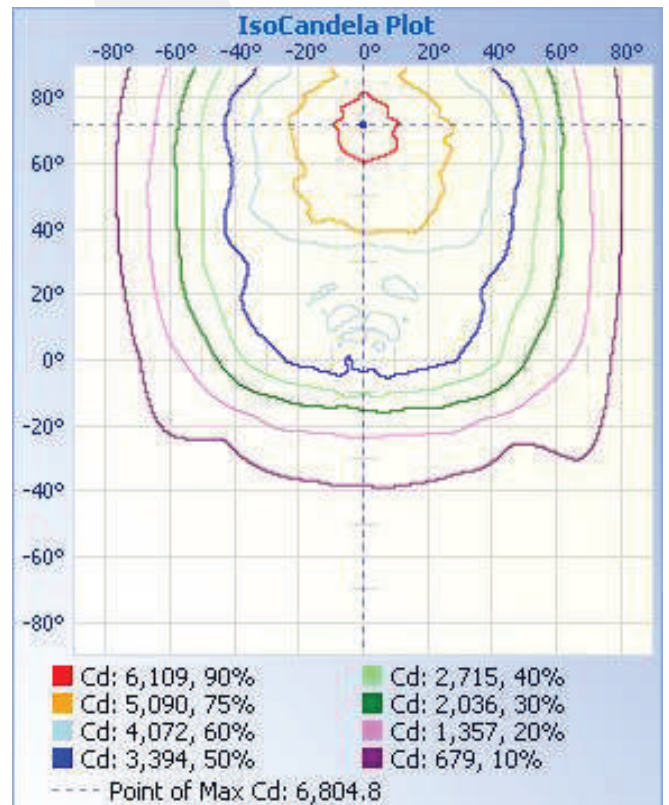
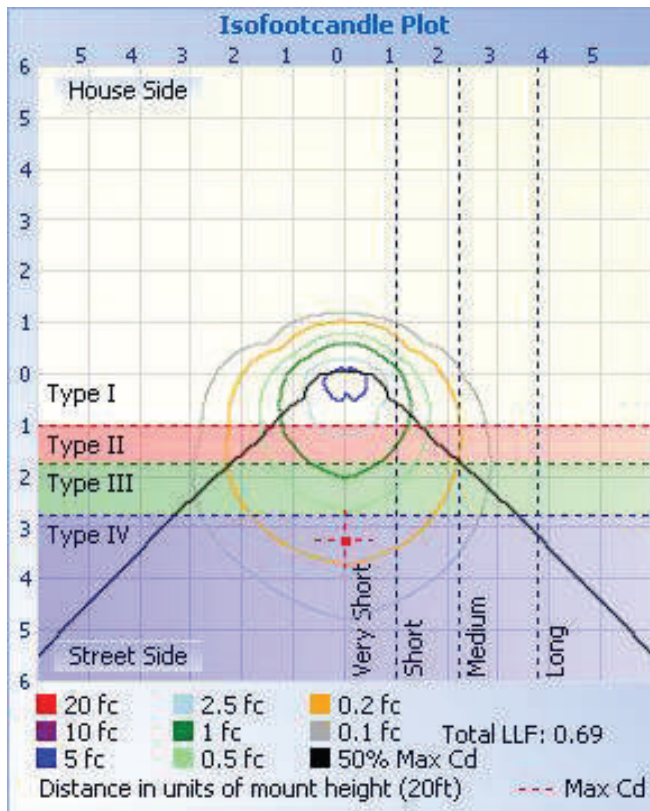
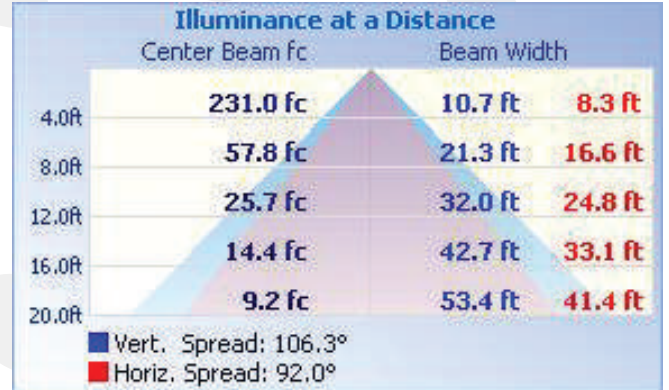
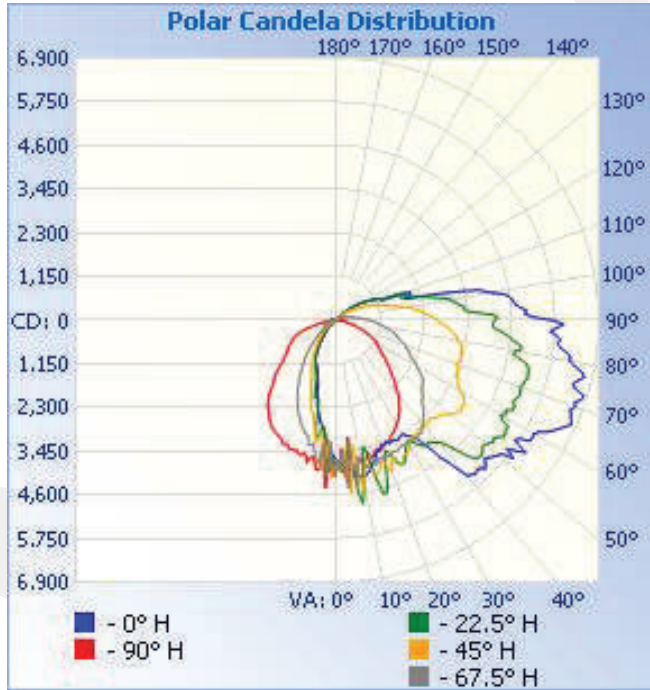
LED WALL PACK



FORTE™

LED Wall Pack

Photometric Data



FORTE™

LED Wall Pack



Installation

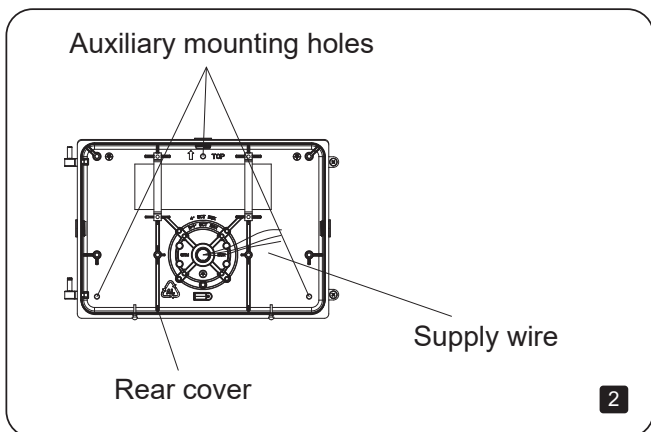
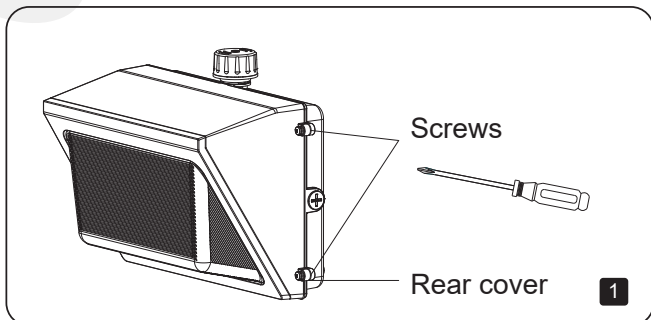
IMPORTANT SAFEGUARDS

When using electrical equipment, basic safety precautions should always be followed including the following:

READ AND FOLLOW ALL SAFETY INSTRUCTIONS

1. To reduce the risk of electrical shock, turn off the power supply before installation or servicing.
2. This luminaire must be installed in accordance with the NEC or your requirements, consult a qualified electrician.
3. If NEMA photo control is installed refer to NEMA receptacle section For instructions.
4. Verify the availability of necessary tools and incidental material.
5. The fixture is not allowed to disassemble the structure or components.

TO INSTALL



LUMINAIRE INSTALLATION

STEP 1(Figure 1):

Remove two screws, remove the rear cover of the luminaire and pull the connector.

STEP 2-1(Onto a recessed 4" rectangular/octagonal J-Box) (Figure 2):

1. Verify that supply power is off and that the J-Box is securely mounted within the structural surface.
2. Remove both J-Box fasteners from j-box (set aside for re-installation as needed)
3. Drill holes as J-Box required on the rear cover.
4. Position rear cover over J-Box feeding supply wires through the center of the Rear cover and slit in gasket. Replace fasteners from step 2 (do not fully tighten).
5. Using a contractor level, ensure Rear cover is level and fully tighten fasteners (Use washers as required to ensure a secure fit).

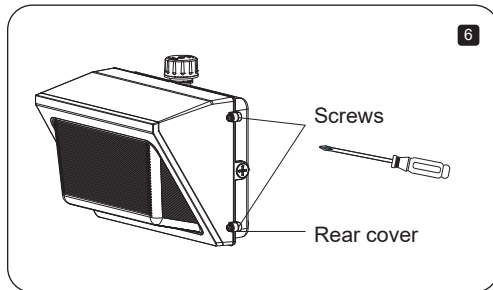
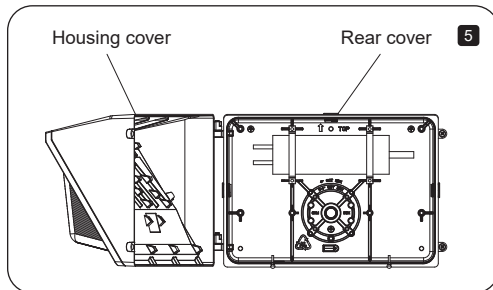
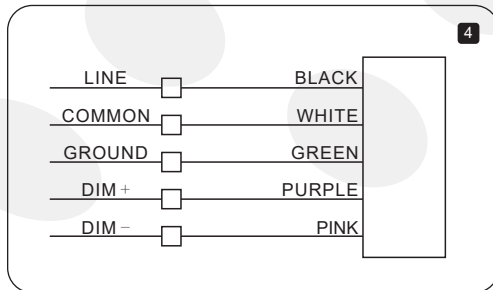
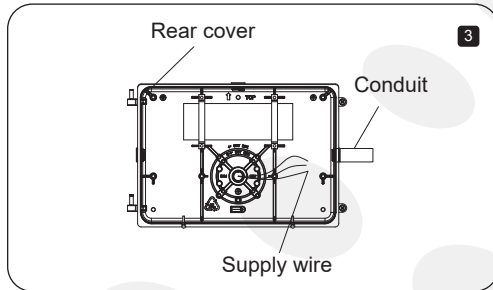


FORTE™

LED Wall Pack

Installation

TO INSTALL



LUMINAIRE INSTALLATION

STEP 2-2 (Conduit-stub up) (Figure 3)

1. Drill holes on the rear cover as auxiliary mounting holes.
2. Verify that supply power is off. Using a contractor level, ensure rear cover is level and mark mounting surface thru selected auxiliary mounting holes.
3. Drill holes as marked in step 1 and install appropriate mounting inserts capable of handling fixture load requirements.
4. Feed supply wires through the center of the rear cover and slit in gasket.
5. Ensure rear cover is level. Fully tighten fasteners (use washers as required to ensure a secure fit).

STEP 2-3 (Conduit-surface) (Figure 3):

1. Drill holes on the rear cover as auxiliary mounting holes.
2. Verify that supply power is off. Using a contractor level, ensure rear cover is level and mark mounting surface through selected auxiliary mounting holes.
3. Drill holes as marked in step 1 and install appropriate mounting inserts capable of handling fixture load requirements.
4. Ensure rear cover is level. Fully tighten fasteners (use washers as required to ensure a secure fit).
5. Attach 1/2"NPT conduit fittings using the appropriate EMT rain tight compression connections(not provided) onto the factory machined conduit entry opening.

STEP 3 (Figure 4):

Make supply wire (power and dimming) to fixture wire connections as required through splice access.

The voltage driver permits. Operation at 120V-277V, 120V-347V, 200V-480V, 50 or 60 Hz. 0-10V control wires must be rated for 300V minimum, for 0-10V Dimming.

Follow the wiring directions as shown in figure below.

STEP 4 (Figure 5):

Fixture slightly upward, align fixture housing indicators with rear cover hooks and slip fixture back onto hooks and insert the connector.

STEP 5 (Figure 6):

Close the housing indicators to the rear cover and fully tighten fasteners. The bottom shell is sprayed with glue and tightly sealed to the wall.

Trouble shooting: If this fixture fails to operate properly, check to make sure: The fixture is wired correctly. The fixture is grounded correctly. The line voltage at the fixture is correct. If all these variables have been checked and the fixture still does not operate as specified, contact your local distributor.

FORTE™

LED Wall Pack



Pakaging

SKU	Size (Inches)	Qty / Carton	Net Weight / Carton	Gross Weight / Carton
156703	15 x 11.02 x 9.44	1Pc	8.24 LBS	9.61 LBS

Warranty

5 Year warranty

Application Image



LED WALL PACK



FORTE™

LED Wall Pack

Application Picture



LED WALL PACK