



# Elite

## LED Flat Panel Lights

### Cloud Design



### Elite Cloud

Our LED Cloud Panels create an environment on the ceiling that feels as if you were walking outdoors. These cloud/sky panels have a realistic spread of clouds. Each panel has a separate light distribution. Our LED sky panels are ideal for conference rooms, churches, day cares, nursing homes, hospitals, funeral homes, workout rooms and gymnasiums. They are easy to install and can fit in any 2X4' drop ceiling. An optional surface mount kit is also available.

- High efficacy, up to 130 Lm/W
- 0-10V Dimming capabilities
- Glare free lighting with remarkable light uniformity
- Super slim design with durable construction
- Optional hanging or surface mounting accessories available
- Built-in standard earthquake clips
- 5 year warranty
- Universal 120-277Vac (50-60Hz)

# Elite

## LED Flat Panel Lights

### Cloud Design

Elite

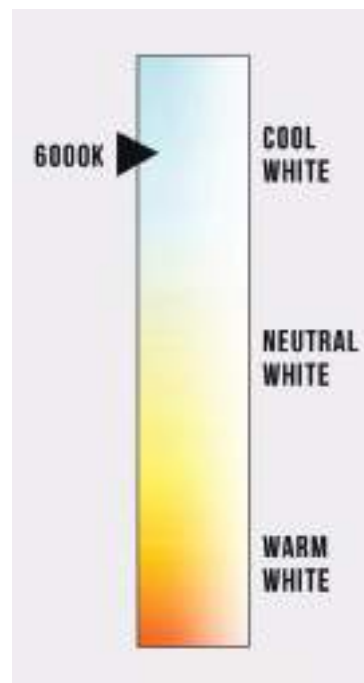
SKU #	Model #s	Watts	Input Voltage	CCT	Length	Lumens	Certifications
152541	152541-A1, 152541-A2, 152541-A3, 152541-B1, 152541-B2, 152541-B3	49W	120-277Vac	6000K	2X4'	Varies	UL



## Specifications

<b>Voltage</b>	120-277 AC voltage (50-60Hz)
<b>Dimming</b>	0-10V Dimming capabilities
<b>Operating Temperature Range</b>	-4°F to 104°F
<b>Ceiling Type</b>	Exposed T-bar ceiling
<b>Light Source</b>	Non-replaceable LED
<b>CRI</b>	>80
<b>L70 / L90</b>	>75,000h / >40,000h

## CORRELATED COLOR TEMPERATURE (CCT)



## Dimensions



(866) 786-1117 • [www.BeyondLEDTechnology.com](http://www.BeyondLEDTechnology.com)

Due to continuous product improvement, information in this document is subject to change.

# Elite

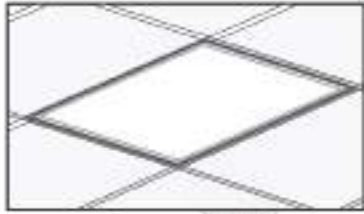
## LED Flat Panel Lights

### Cloud Design

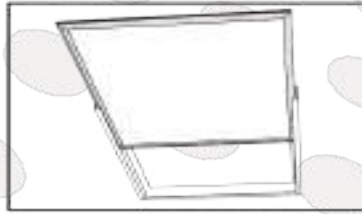
### Pre-Installation

#### Mounting Options

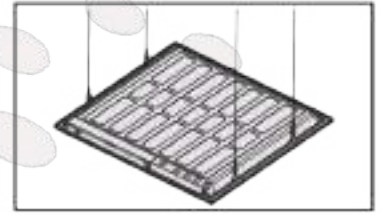
Recessed



Surface  
(requires Mounting Kit)



Pendant/Suspension  
(requires Mounting Kit)

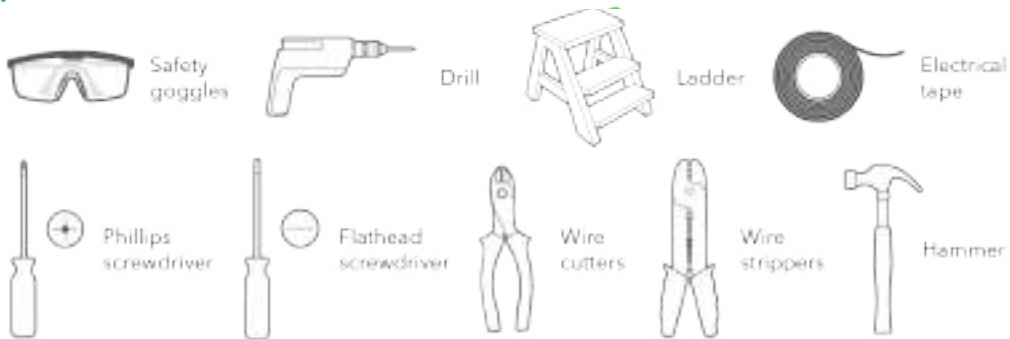


#### Mounting Kit Description

Mounting Kit Description
4-Cable Suspension Kit

Mounting Kit Description
2x4 Surface

#### Tools Required



#### Hardware Included



#### Before You Begin

1. Turn off the electricity at the circuit breaker or fuse box.
2. Choose your installation option:
  - Installation Option 1 - Flush Mount
  - Installation Option 2 - Surface Mount (Sold Separately)
  - Installation Option 3 - Pendant/Suspension Mount (Sold Separately)

# Elite

## LED Flat Panel Lights

### Cloud Design

## Installation Options

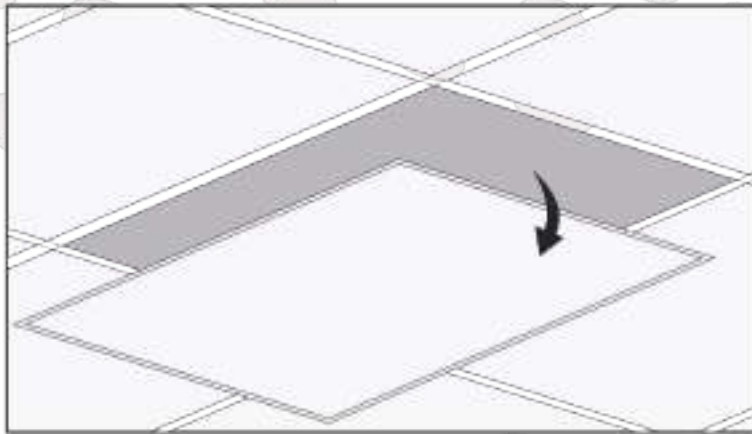
### FLUSH MOUNT INSTALLATION



**WARNING:** Before you begin, turn the power off at the circuit breaker or fuse box to avoid electric shock.

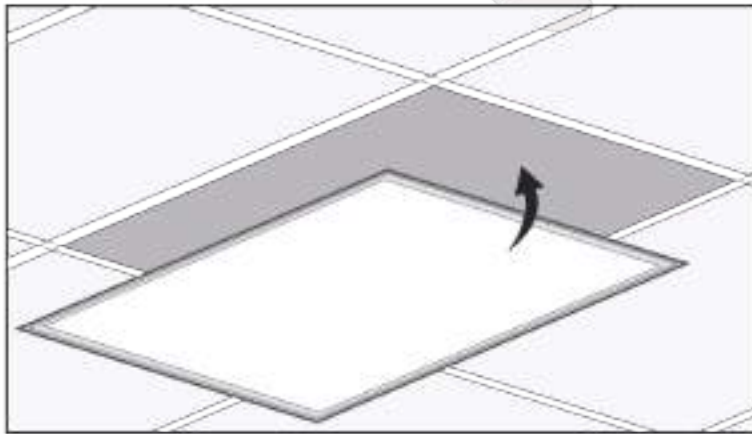
#### 1 Removing the ceiling panel

- a. Remove the plasterboard panel from the ceiling.



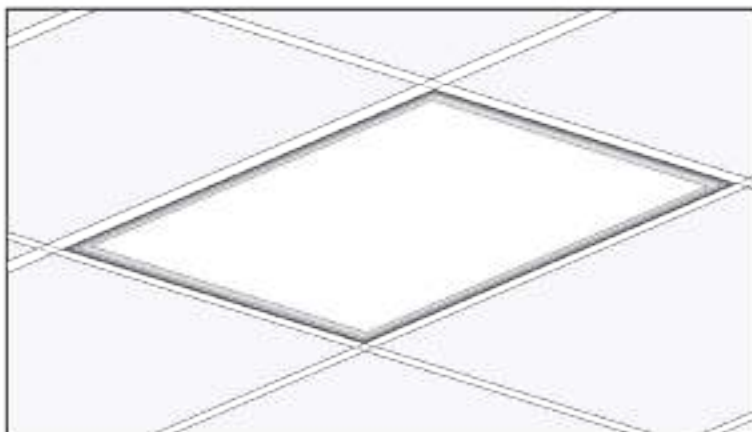
#### 2 Connecting the wires

- a. Lift the fixture to the ceiling.
- b. Follow the steps in the **Making the Electrical Connections** section of this manual.



#### 3 Completing the installation

- a. Slide the fixture into place in the ceiling.
- b. Restore power to the fixture.



# Elite

## LED Flat Panel Lights

### Cloud Design

#### Mounting & Accessory Kits

##### RECESSED INSTALLATION



1. Pull up the earth quake hook until it is perpendicular to the panel backing.(See picture 1)
2. Bend the hook arm until it is perpendicular to the hook body. (See picture 2)
3. Hook the panel to the T-Bar until it is full supported.(See picture 3)



Earthquake hook



# Elite

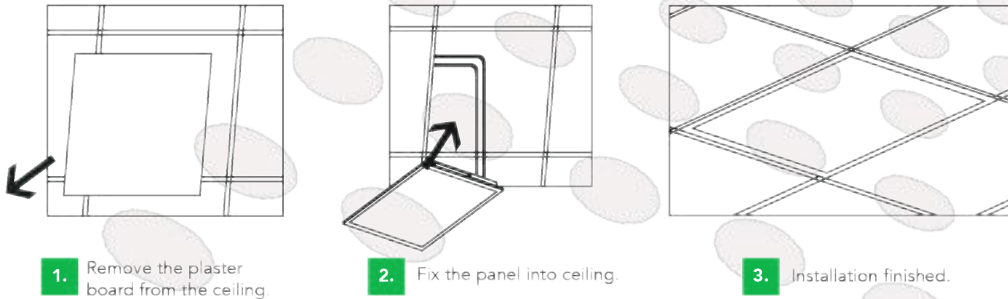
## LED Flat Panel Lights

### Cloud Design

## Mounting & Accessory Kits

### T-BAR MOUNTING

Available for 2x4 versions only



**1.** Remove the plaster board from the ceiling.

**2.** Fix the panel into ceiling.

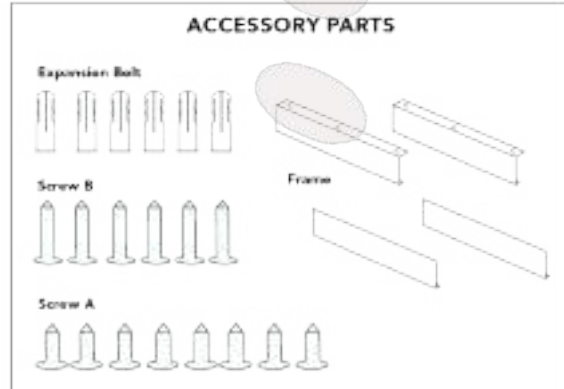
**3.** Installation finished.

\* T-bar mounting clips included  
\* Full installation instructions included

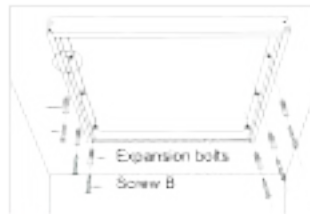
### SURFACE MOUNTING KIT (OPTIONAL)

Available for 2x4 versions only

Accessory Parts List	Quantity	Size	Material
Screw A (KS 1X10)	8	0.04 inches diameter, 0.40 inches length	Zinc Coated Iron
Screw B (KA 4X25)	6	0.16 inches diameter, 0.98 inches length	Zinc Coated Iron
Expansion Bolt	6	0.24 inches diameter, 1.18 inches length	PVC
Frame	4	24.17 inches length, 2.44 inches height	Aluminum



**1.** Assemble the four sides with 2 X screw A each to create the frame.



**2.** Fix the frame to the ceiling with screw B and expansion bolts.



**3.** Once securely mounted to the ceiling disassemble one and (without mounting screws) to the ceiling.



**4.** Insert the panel into the frame square.



**5.** Reassemble the remaining end with screw A.

(866) 786-1117 • [www.BeyondLEDTechnology.com](http://www.BeyondLEDTechnology.com)

Due to continuous product improvement, information in this document is subject to change.

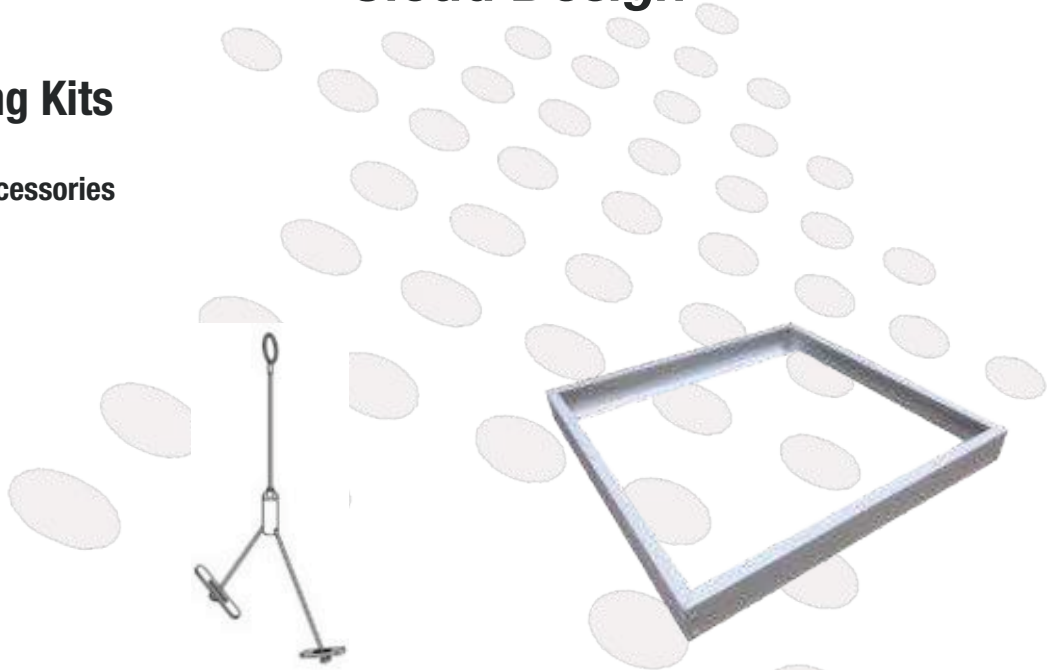
# Elite

## LED Flat Panel Lights

### Cloud Design

#### Mounting Kits

#### Optional Accessories



**Hanging Wire  
Suspension Mounting Kit**

**SKU# 151729:  
2X4 Surface Mounting Kit**



# Elite

## LED Flat Panel Lights

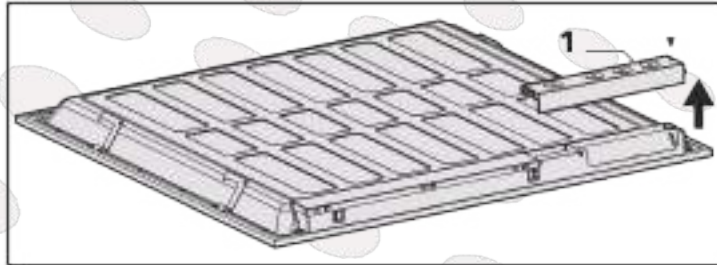
### Cloud Design

## Making the Electrical Connections

**WARNING:** Before you begin, turn the power off at the circuit breaker or fuse box to avoid electric shock.

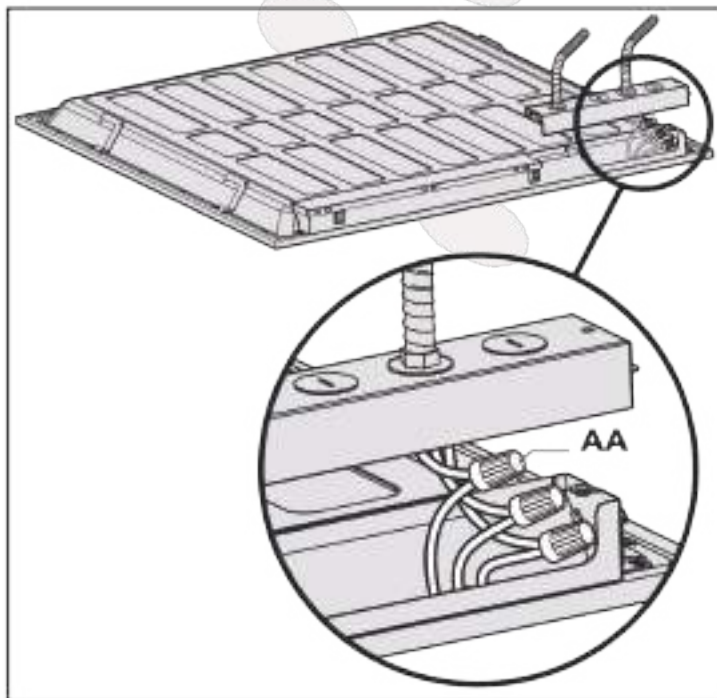
### 1 Open the junction box

- a. Unscrew and remove the junction box cover (1) from the fixture.



### 2 Connect the supply wires

- a. Connect the green ground wire from the fixture to the supply ground wire.
- b. Connect the white wire from the fixture to the supply white wire (neutral wire).
- c. Connect the black wire from the fixture to the supply black wire (live wire).
- d. Secure the three connections using three wire nuts (AA).
- e. Wrap the three wire connections with electrical tape for a more secure connection.





# Elite

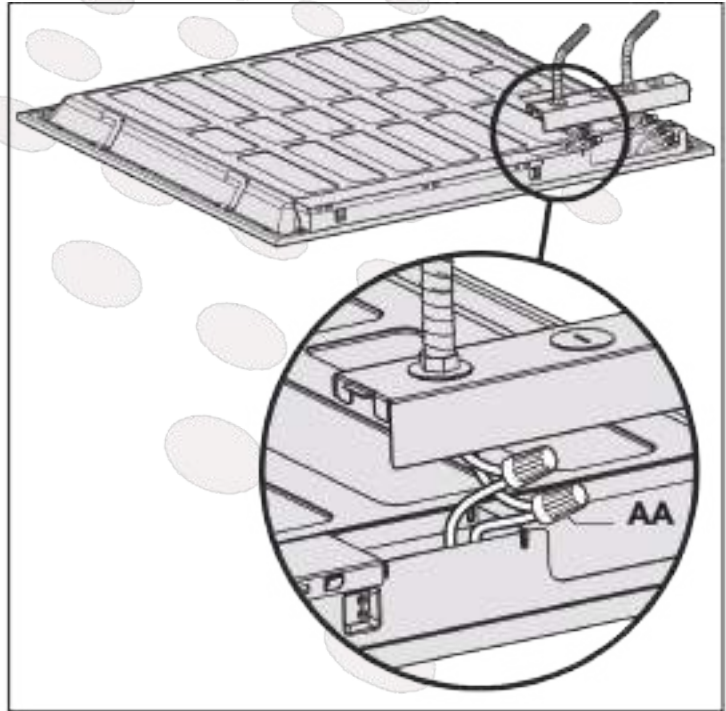
## LED Flat Panel Lights

### Cloud Design

#### Making the Electrical Connections (continued)

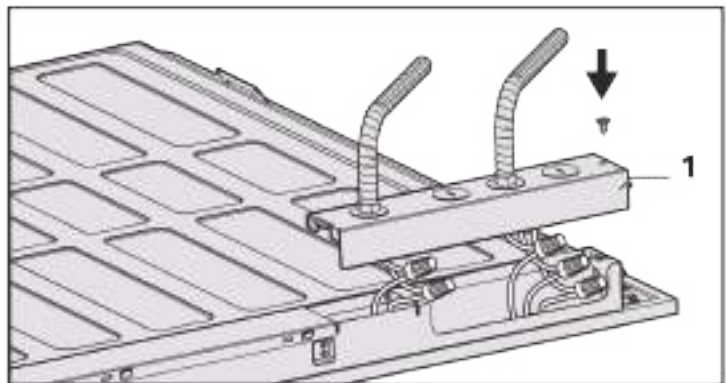
### 3 Connect the dimming wires

- Connect the purple wire from the fixture to the purple (DIM+) supply wire.
- Connect the gray wire from the fixture to the gray (DIM-) supply wire.
- Secure the two connections using two wire nuts (AA).
- Wrap the two wire connections with electrical tape for a more secure connection.



### 4 Reinstall the junction box cover

- Position the wires back inside the junction box.
- Reinstall the junction box cover (1).



# Elite

## LED Flat Panel Lights

### Cloud Design

## Safety Information



**IMPORTANT:** THIS PRODUCT MUST BE INSTALLED IN ACCORDANCE WITH THE APPLICABLE NATIONAL ELECTRICAL CODE AND LOCAL BUILDING CODES BY A PERSON FAMILIAR WITH THE CONSTRUCTION AND OPERATION OF THE PRODUCT AND THE HAZARDS INVOLVED.

SAVE THESE INSTRUCTIONS.



**WARNING:** Before installation or servicing, turn the power OFF at the circuit breaker or fuse. Place tape over the circuit breaker switch and verify power is OFF at the light fixture.



**WARNING:** Ground the fixture to avoid potential electric shock.



**WARNING:** Wear gloves when handling the fixture as edges are sharp.



**CAUTION:** Connect the fixture to a 120/277 Volt, 60 Hz power source. Any other connection voids the warranty.

**NOTICE:** FCC Regulations state that any unauthorized changes or modifications to this equipment not expressly approved by the manufacturer could void the user's authorization to operate this equipment.



**IMPORTANT:** The device is tested and found to comply with Part 15 of the FCC Rules. Operation is subject to two conditions: (1) This device may not cause harmful interference and, (2) this device must accept any interference received, including any interference that may cause undesired operation.

This equipment has been tested and found to comply with the limits for a Class A digital device, pursuant to Part 15 of the FCC rules. These limits are designed to provide reasonable protection against harmful interference when the equipment is operated in a commercial environment.

The equipment generates, uses, and can radiate radio frequency energy and, if not installed and used in accordance with the instruction manual, may cause harmful interference to radio communications. However, there is no guarantee that interference will not occur in a particular installation. If this equipment does cause harmful interference to radio or television reception, which can be determined by turning the equipment off and on, the user is encouraged to try to correct the interference by one or more of the following measures:

- Reorient or relocate the receiving antenna.
- Increase the separation between the equipment and receiver.
- Connect the equipment into an outlet on a circuit different from that to which the receiver is connected.
- Consult the dealer or an experienced radio/TV technician for help.

# Elite

## LED Flat Panel Lights

### Cloud Design

### Packing

SKU #	Size	Pcs/Box	Dimensions	Weight	Pallet Quantity	Pallet Weight	Pallet Dimensions
152541	2X4	4	49"X26"X9"	41 Lbs.	60 Pcs	645 Lbs.	52"X50"X84"

