



# ELITE™

## LED Flat Panel W/Battery Back-Up



Beyond LED Elite Backlit panels offer uniform illumination and excellent energy savings. Our Elite panels deliver soft, glare-free, ambient lighting in a popular backlit design. Elite available in single CCT or Adjustable CCT & Adjustable Wattage. It is also available with a built-in Emergency Driver. The slim profile and energy-saving LED technology make the Elite the ideal choice for renovation or new construction.

### Product Features

- High efficacy, up to 130 Lm/W
- Wattage Adjustable
- CCT Adjustable 3500/4000/5000K
- Output Voltage 120-277 AC / (50-60Hz)
- 0-10V Dimmable
- Glare free lighting with remarkable light
- uniformity
- Super slim design with durable construction
- Optional hanging or surface mounting accessories available
- Built-in standard earthquake clips
- UL Listed
- 5 Year warranty

## LED Flat Panel W/Battery Back-Up



SKU #	Model #	Wattage Adj.	Lumens	CCT Adj.	Size	Input Voltage	Certifications
154199	BLT-BPLED-2x2-24/29/32W/39W/D10/U/50/HL	24W/29W/32W/39W	5004Lm	3500K/4000K/5000K	2'X2'	120-277Vac	UL
152530	BLT-BPLED-2x4-29W/34/39/49D10/U/35-40-50/HL	29W/34W/39W/49W	6448Lm	3500K/4000K/5000K	2'X4'	120-277Vac	UL
153486	Surface Mounting Kit				2'X2'	Optional	
156206	Surface Mounting Kit				2'X4'	Optional	

### SKU Number 154199 Specifications

Parameter	Description	Value
General Performance	Model #	BLT-BPLED-2x2-24/29/32W/39W/D10/U/50/HL
	Wattage Adjustable	24W / 29W / 32W / 39W
	Lumen	Up to 5004LM
	Lumen Efficacy	Up to 130LM/W
	Color Temperature	3500K / 4000K / 5000K
	CRI (Ra)	>80
	Beam Angle	120° Degree
Electrical	Diffuser Type	Frosted
	Input Voltage	120-277Vac
	Frequency	50/60Hz
	Dimming	0-10V Dimmable
	Power Factor	≥0.9
	Flicker Percent	N/A
Physical	Operating Temperature	-20°C To 40°C
	Operating Humidity	10% - 65% RH
	Storage Humidity	10% - 65% RH
	LED Brand	N/A
	LED Type	N/A
Qualification	LED QTY	PCS
	Housing Color	White
	IP Rating	IP20
	Warranty	5 Year warranty



# ELITE™

## LED Flat Panel W/Battery Back-Up

SKU Number 152530

### Specifications

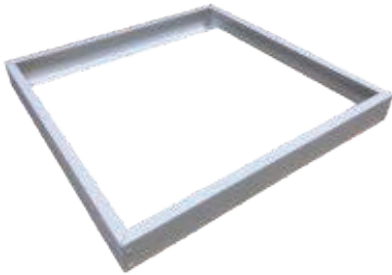
Parameter	Description	Value
General Performance	Model #	BLT-BPLED-2x4-34/39/49D10/U/35-40-50/HL
	Wattage Adjustable	29W / 34W / 39W / 49W
	Lumen	Up to 6448LM
	Lumen Efficacy	Up to 130LM/W
	Color Temperature	3500K / 4000K / 5000K
	CRI (Ra)	>80
	Beam Angle	120° Degree
	Diffuser Type	Frosted
Electrical	Input Voltage	120-277Vac
	Frequency	50/60Hz
	Dimming	0-10V Dimmable
	Power Factor	≥0.9
	Flicker Percent	N/A
	Operating Temperature	-20°C To 40°C
Physical	Operating Humidity	10% - 65% RH
	Storage Humidity	10% - 65% RH
	LED Brand	N/A
	LED Type	N/A
	LED QTY	PCS
Qualification	Housing Color	White
	IP Rating	IP20
	Warranty	5 Year warranty

LED FLAT PANEL W/BATTERY BACK-UP



### Accessories

2'x2'



Surface Mounting Kit  
SKU: 153486

2'x4'



Surface Mounting Kit  
SKU: 156206



Hanging Mounting Kit  
SKU: 153457



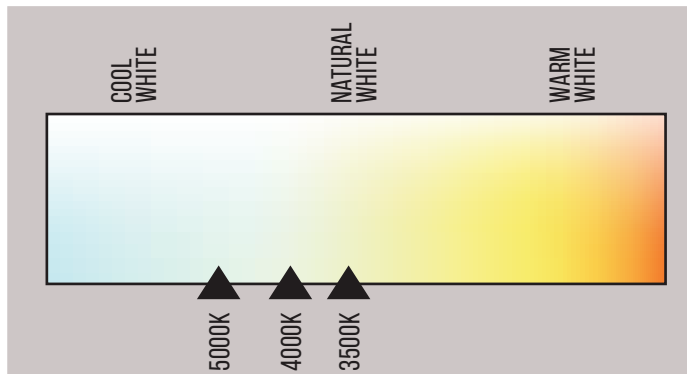
Emergency Driver  
SKU: 153467



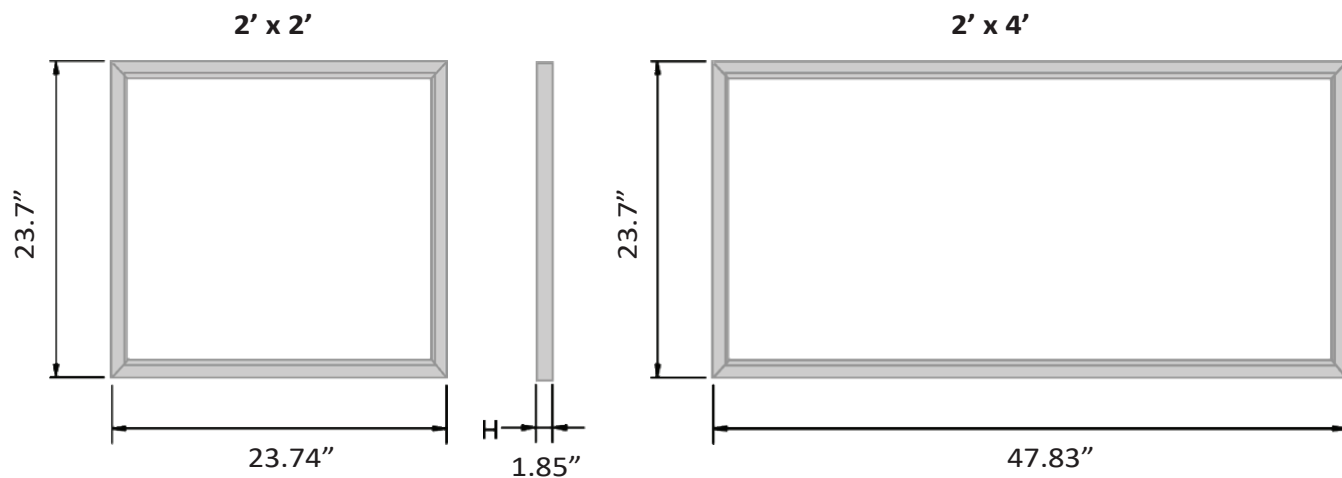
# ELITE™

## LED Flat Panel W/Battery Back-Up

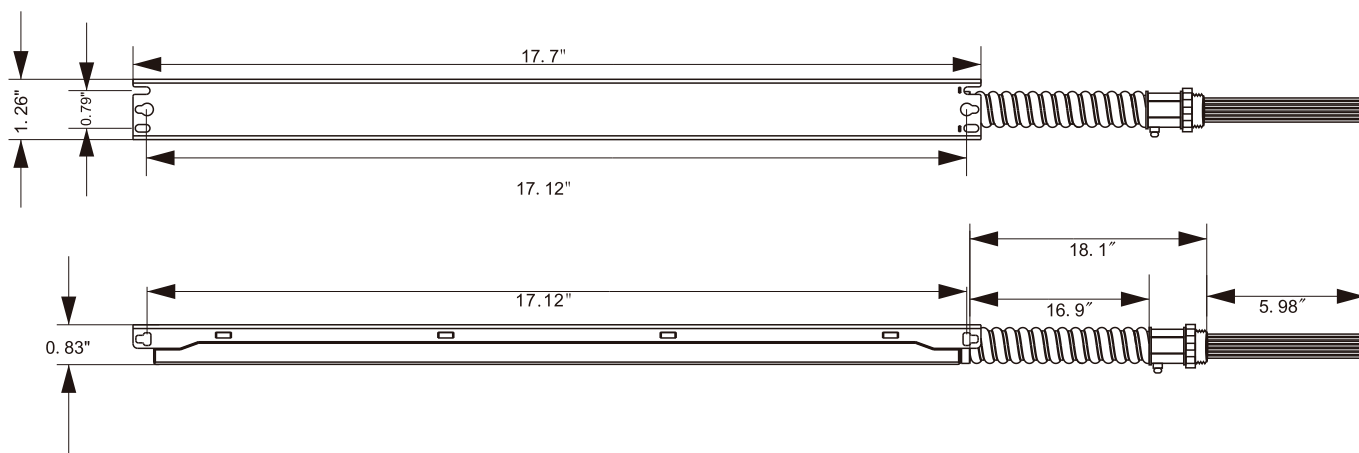
### Correlated Color Temperature (CCT)



### Dimensions Flat Panels

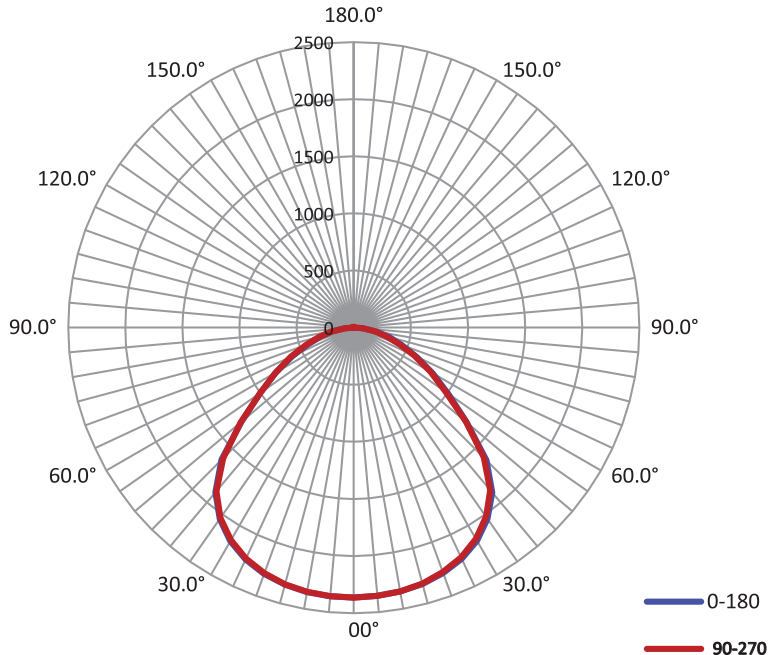


### Dimensions Battery Back-Up

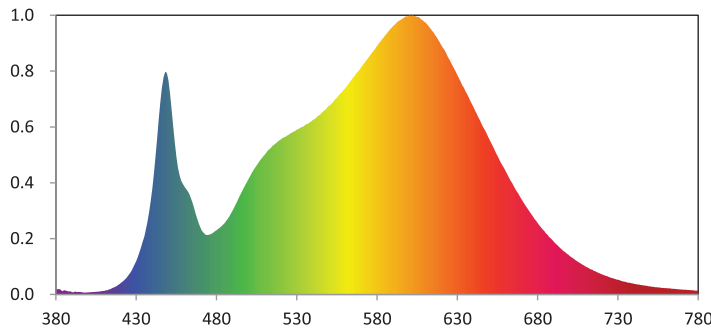




### Luminous Intensity Distribution



Relative Spectral Power Distribution



	C0/180	C45/225	C90/270	C135/315	AVG.
Beam Angle (50% I <sub>max</sub> ):	103.7	106.2	103.6	105.8	104.8
Field Angle (10% I <sub>max</sub> ):	156.7	158.5	156.0	158.5	157.4

### UGR Value

Reflectances:		
Ceiling (cavity)		0.7
Wall		0.5
Reference plane		0.2
Room dimensions		crosswise Viewed endwise
X=4H	Y=8H	19.1 18.7



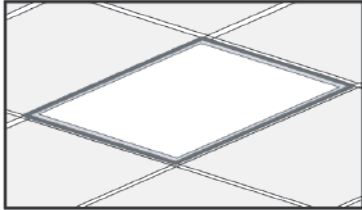
# ELITE™

## LED Flat Panel W/Battery Back-Up

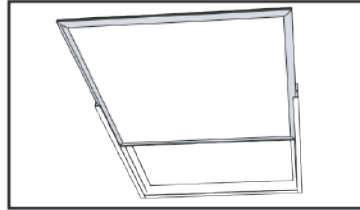
### Installation

#### Mounting Options

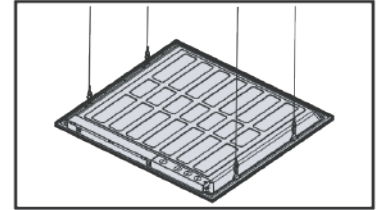
Recessed



Surface  
(Requires Mounting Kit)



Pendant/Suspension  
(Requires Mounting Kit)



#### Mounting Kit Description

Mounting Kit Description

4-Cable Suspension Kit

Mounting Kit Description

2 x 4 Surface

#### Tools Required



Safety goggles



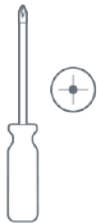
Drill



Ladder



Electrical tape



Phillips screwdriver



Flathead screwdriver



Wire cutters



Wire strippers



Hammer

#### Hardware Include



AA - Wire nuts x5

#### Before You Begin

1. Turn off the electricity at the circuit breaker or fuse box.
2. Choose your installation option.
  - Installation 1 - Flush Mount
  - Installation 2 - Surface Mount (Sold Separately)
  - Installation 3 - Pendant / Suspension Mount (Sold Separately)



### Installation

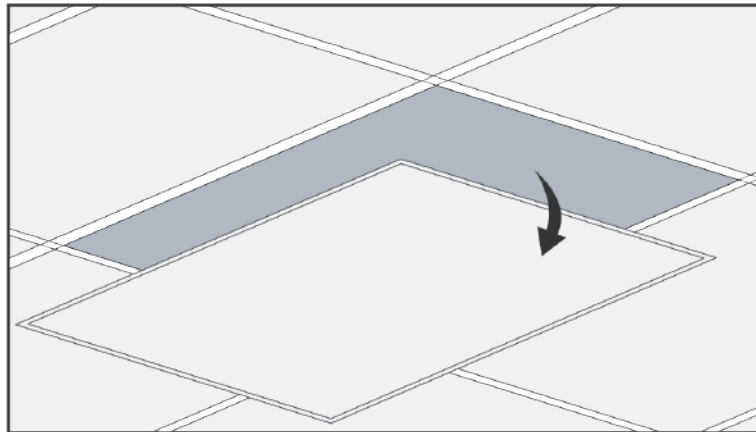
#### Flush Mount Installation



Warning: Before you begin, turn the power off at the circuit breaker or fuse box to avoid electric shock.

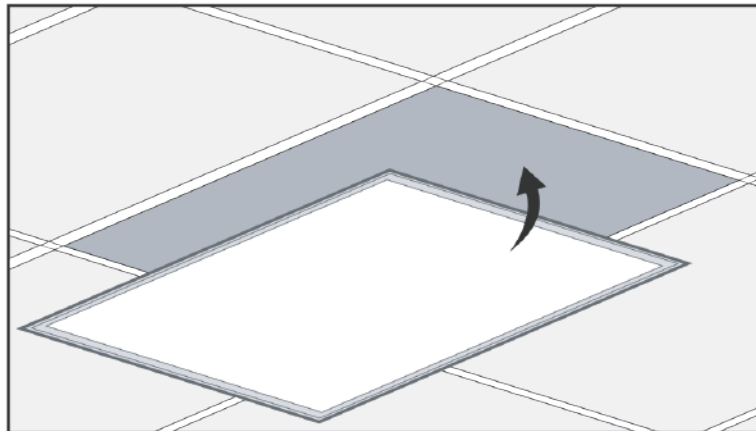
#### 1. Removing the Ceiling Panel

- a. Remove the plasterboard panel from the ceiling.



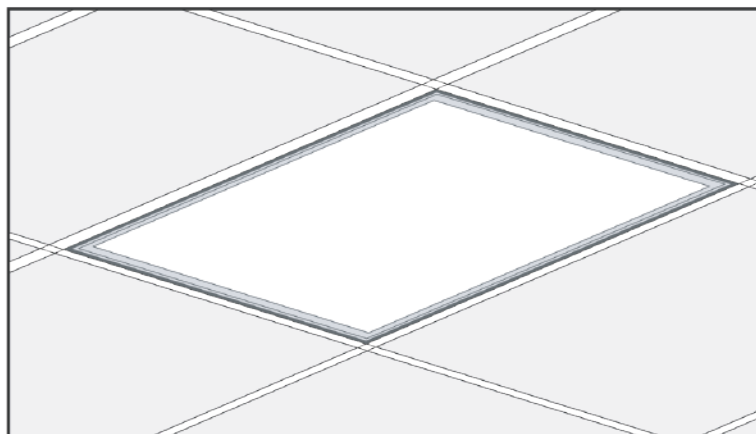
#### 2. Connecting The Wires

- a. Lift the fixture to the ceiling.
- b. Follow the steps in the Making the Electrical Connections section of this manual.



#### 3. Completing The Installation

- a. Slide the fixture into place in the ceiling.
- b. Restore power to the fixture.







# ELITE™

## LED Flat Panel W/Battery Back-Up

### Installation

## Mounting & Accessory Kits

### RECESSED INSTALLATION



1. Pull up the earthquake hook until it is perpendicular to the panel backing (See Picture 1)
2. Bend the hook arm until it is perpendicular to the hook body. (See picture 2)
3. Hook the panel to the T-Bar until it is fully supported. (See picture 3)



Earthquake Hook



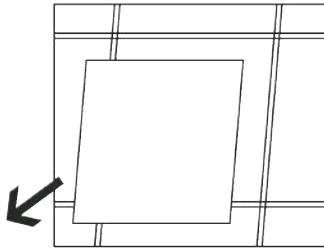


### Installation

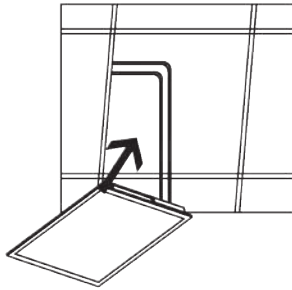
## Mounting & Accessory Kits

### T-BAR MOUNTING

Available for 2x2' 2x4' versions

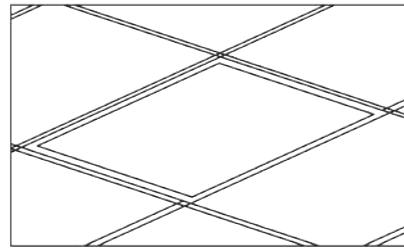


**1.** Remove the plaster board from the ceiling.



**2.** Fix the panel into the ceiling.

\* T-bar mounting clips included  
\* Full installation instructions included

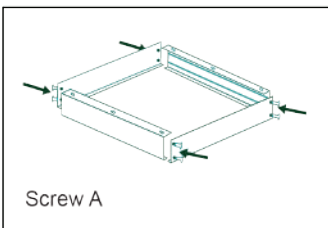
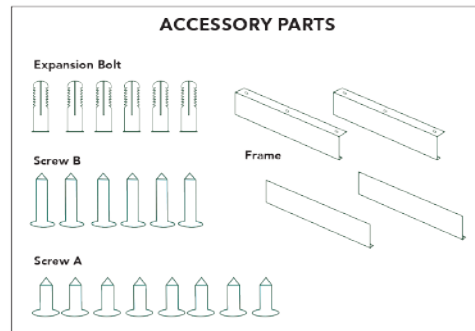


**3.** Installation finished.

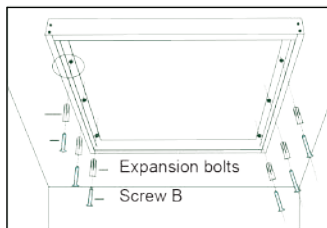
### SURFACE MOUNTING KIT (OPTIONAL)

Available for 2 x 4 versions only

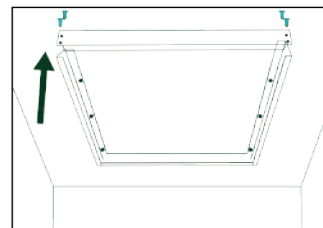
Accessory Parts List	Qty.	Size	Material
Screw A (KS 1x 10)	8	0.04 Inches Diameter, 0.04 Inches Length	Zinc Coated Iron
Screw B (KA 4x 25)	6	0.16 Inches Diameter, 0.98 Inches Length	Zinc Coated Iron
Expansion Bolt	6	0.24 Inches Diameter, 1.18 Inches Length	PVC
Frame	4	24.17 Inches Diameter, 2.44 Inches Length	Aluminum



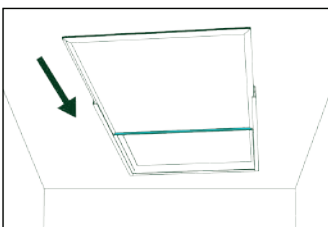
**1.** Assemble the four sides with 2x2 screw A each to create the frame.



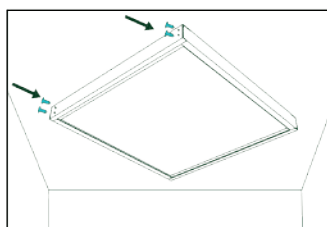
**2.** Fix the frame to the ceiling with screw B and expansion bolts.



**3.** Once securely mounted to the ceiling disassemble one end (without mounting screws to the ceiling)



**4.** Insert the panel into the frame square.



**5.** Reassemble the remaining end with screw A.



# ELITE™

## LED Flat Panel W/Battery Back-Up

### Installation

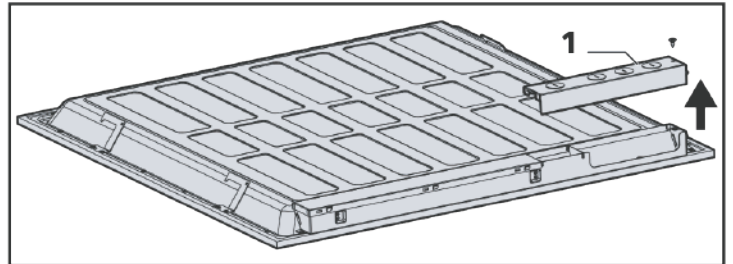
#### Making the Electrical Connections



Warning: Before you begin, turn the power off at the circuit breaker or fuse box to avoid electric shock.

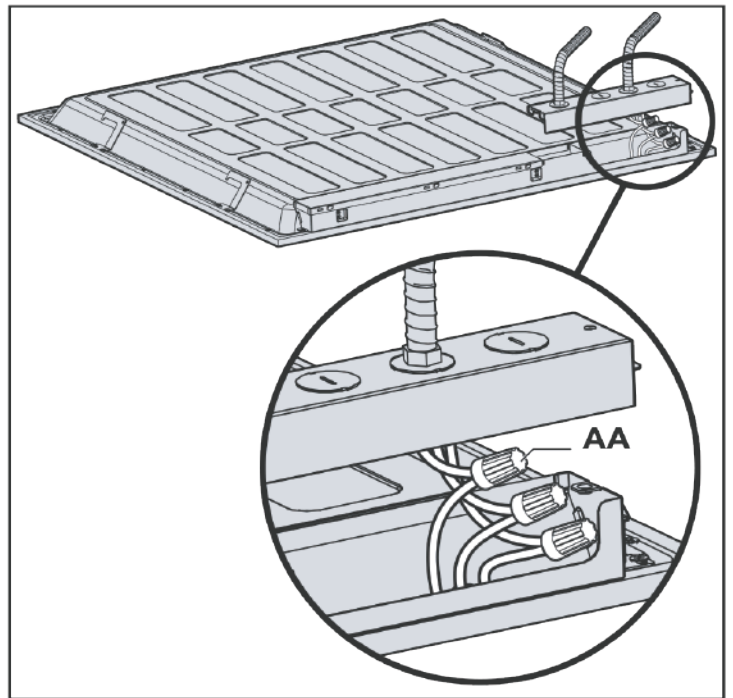
#### 1. Open the Junction Box

- a. Unscrew and remove the junction box cover (1) from the fixture.



#### 2. Connect the Supply Wires

- a. Connect the green wire from the fixture to the supply ground wire.
- b. Connect the white wire from the fixture to the supply white wire (neutral wire).
- c. Connect the black wire from the fixture to the supply black wire (live wire).
- d. Secure the three connections using three wire nuts (AA).
- e. Wrap the three wire connections with electrical tape for a more secure connection.

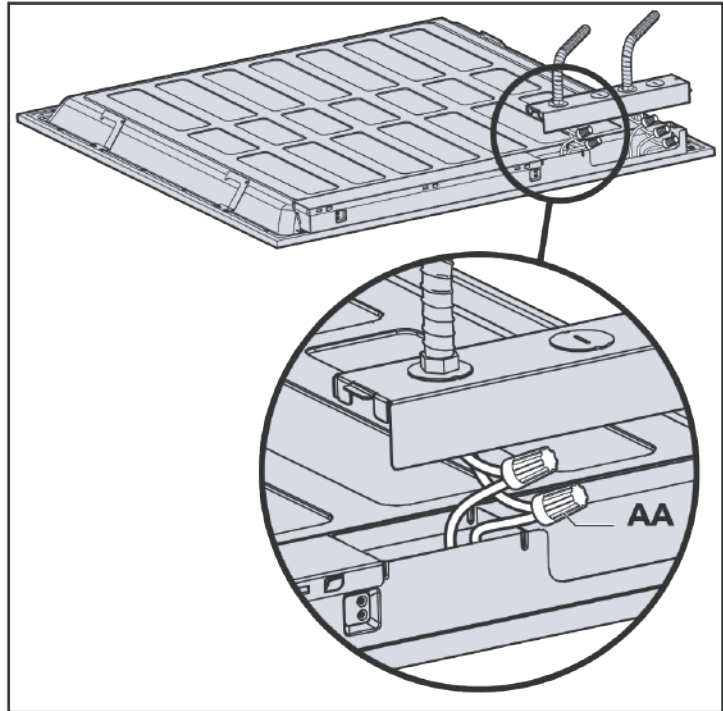




### Installation

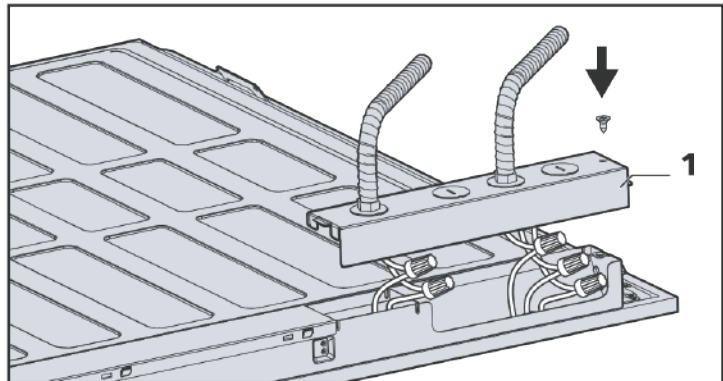
#### 3. Connect the Dimming Wires

- Connect the purple wire from the fixture to the purple (DIM+) supply wire.
- Connect the gray wire from the fixture to the gray (DIM-) supply wire.
- Secure the two connections using two wire nuts (AA).
- Wrap the two wire connections with electrical tape for a more secure connection.



#### 4. Reinstall the Junction Box Cover

- Position the wire back inside the junction box.
- reinstall the junction box cover (1).





# ELITE™

## LED Flat Panel W/Battery Back-Up

### Installation

#### Safety Information



**IMPORTANT:** THIS PRODUCT MUST BE INSTALLED IN ACCORDANCE WITH THE APPLICABLE NATIONAL ELECTRICAL CODE AND LOCAL BUILDING CODES BY PERSON FAMILIAR WITH THE CONSTRUCTION AND OPERATION OF THE PRODUCT AND THE HAZARDS INVOLVED.

#### SAVE THESE INSTRUCTIONS.



**WARNING:** Before installation or servicing, turn the power OFF at the circuit breaker or fuse. Place tape over the circuit breaker switch and verify power is OFF at the light fixture.



**WARNING:** Ground the fixture to avoid potential electric shock.



**WARNING:** Wear when handling the fixture as edges are sharp.



**CAUTION:** Connect the fixture to a 120/277 Volt, 60 Hz power source. Any other connection voids the warranty.

**NOTICE:** FCC Regulation states that any unauthorized changes or modification to this equipment not expressly approved by the manufacturer could void the user's authorization to operate this equipment.

**IMPORTANT:** The device is tested and found to comply with Part 15 of the FCC Rules. Operation is subject to two conditions: (1) This device may not cause harmful interference and, (2) this device must accept any interference received, including any interference that may cause undesired operation.

This equipment has been tested and found to comply with the limits for a Class A digital device, pursuant to Part 15 of the FCC rules. These limits are designed to provide reasonable protection against harmful interference when the equipment is operated in a commercial environment.

The equipment generates, uses, and can radiate radio frequency energy and, if not installed and used in accordance with the instruction manual, may cause harmful interference to radio communications. However, there is no guarantee that interference will not occur in a particular installation. If this equipment does cause harmful interference to radio or television reception, which can be determined by turning the equipment off and on, the user is encouraged to try to correct the interference by one or more of the following measures:

- Reorient or relocate the receiving antenna.
- Increase the separation between the equipment and receiver.
- Connect the equipment into an outlet on a circuit different from that to which the receiver is connected.
- Consult the dealer or an experienced radio/TV technician for help.

# ELITE™

## LED Flat Panel W/Battery Back-Up



### Box Packaging

SKU	Size	Dimensions (Inches)	Qty.	Net Weight	Gross Weight
154199	2x2'	25.19 x 7.08 x 27.56	4		
152530	2x4'	48.62 x 8.89 x 25.59	4		

### Warranty

5 Year Warranty

LED FLAT PANEL W/BATTERY BACK-UP



# ELITE™

## LED Flat Panel W/Battery Back-Up

### Installation



LED FLAT PANEL W/BATTERY BACK-UP