



# ELITE™

## 2nd Gen



The Elite 2nd Gen gives a soothing experience by offering realistically close simulation of natural sky in indoor spaces. The panels provides for improved focus and concentration with reduced glare and uniform illumination. The Elite 2nd Gen come with easy installation and fit seamlessly into any 2x2 & 2x4 drop ceiling. An optional surface mount kit is also available.

These UL Certified panels are ideal for brightening up indoor spaces with soothing shades of blue and white to replicate the outdoor experience. They are ideal for corporate environments, educational & health facilities, basements, etc.

### Product Features

- Upto 125 Lumens per watt
- 0-10V Dimming capabilities
- Wattage Adjustable
- CCT Adjustable
- Glare free with remarkable light uniformity
- Super slim design with durable construction
- Built-in standard earthquake clips
- Beam Angle 115° Degree
- Input Voltage 120-277Vac (50-60Hz)
- UL & DLC Listed
- 5 Year warranty



SKU #	Model #	Wattage Adjustable	Lumens	CCT Adjustable	Size	IP	Input Voltage	Certifications
156734	BLT-BPLED-2x2-24/29/32/39/D10/U/40-50-65/HL	24W/29W/32W/39W	Varies with Design	4K/5K/6500K	2'X2'	IP20	120-277Vac	UL & DLC
156735	BLT-BPLED-2x4-40/50/60/70/D10/U/40-50-65/HL	40W/50W/60W/70W		4K/5K/6500K	2'X4'	IP20	120-277Vac	UL & DLC
<b>SOLD AS SET 2</b>								
156751	BLT-BPLED-2x4-40/50/60/70/D10/U/40-50-65/HL	40W/50W/60W/70W	Varies with Design	4K/5K/6500K	2'X4'	IP20	120-277Vac	UL & DLC

### SKU. 156734 / 2x2FT Specifications

Parameter	Description	Value
General Performance	Model #	BLT-BPLED-2x2-24/29/32/39/D10/U/40-50-65/HL
	Wattage Adjustable	24W / 29W / 32W / 39W
	Lumen	Varies With Design
	Lumen Efficacy	Up to 125LM/W
	Color Temperature	4000K / 5000K / 6500K
	CRI (Ra)	>80
	Beam Angle	115° Degree
Electrical	Diffuser Type	Frosted
	Input Voltage	120V-277V
	Frequency	50-60Hz
	Dimming	Varies With Design
	Power Factor	>0.9
	Flicker Percent	<19%
Physical	Operating Temperature	-20°C to 40°C
	Operating Humidity	<65%RH
	Storage Temperature	-25°C- 80°C
	Storage Humidity	10% - 85% RH
	LED Brand	Lumileds
	LED Type	SMD 2835
Qualification	Housing	White
	Housing Color	White
	IP Rating	(IP20)
	Warranty	5 Years



# ELITE™

## 2nd Gen

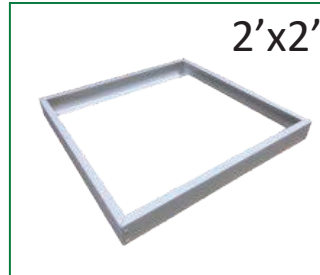
### SKU. 156735 / 2x4FT

### Specifications

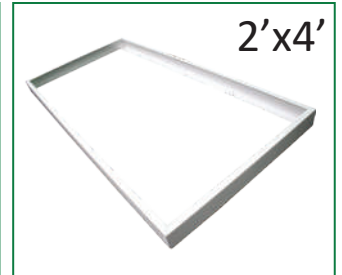
Parameter	Description	Value
General Performance	Model #	BLT-BPLED-2x4-40/50/60/70/D10/U/40-50-65/HL
	Wattage Adjustable	40W / 50W / 60W / 70W
	Lumen	Varies With Design
	Lumen Efficacy	Up to 125LM/W
	Color Temperature	4000K / 5000K / 6500K
	CRI (Ra)	>80
	Beam Angle	115° Degree
	Diffuser Type	Frosted
Electrical	Input Voltage	120V-277V
	Frequency	50-60Hz
	Dimming	Varies With Design
	Power Factor	>0.9
	Flicker Percent	>19%
	Operating Temperature	-20°C to 40°C
Physical	Operating Humidity	<65%RH
	Storage Temperature	-25°C- 80°C
	Storage Humidity	10% - 85% RH
	LED Brand	Lumileds
	LED Type	SMD 2835
	Housing	White
	Housing Color	White
Qualification	IP Rating	(IP20)
	Warranty	5 Years



Suspension Mounting Kit  
SKU: 153457



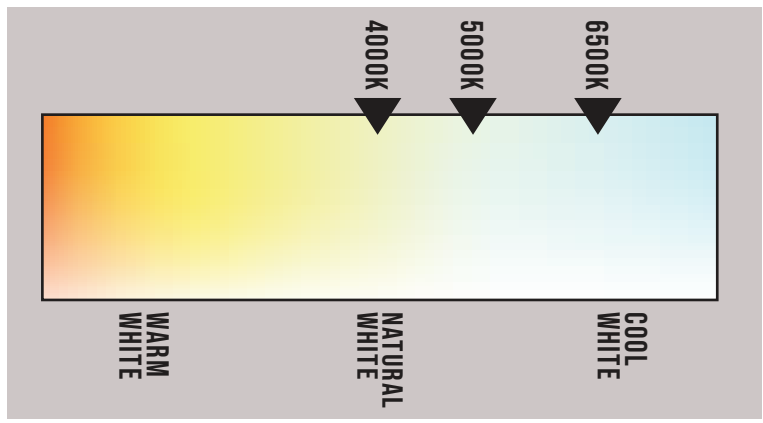
Surface Mounting Kit  
SKU: 153484



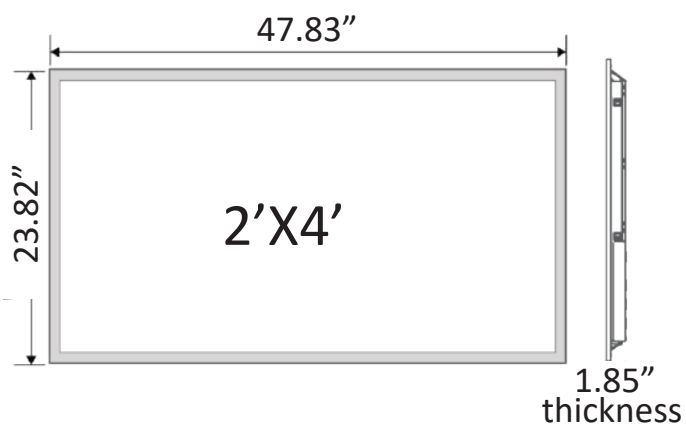
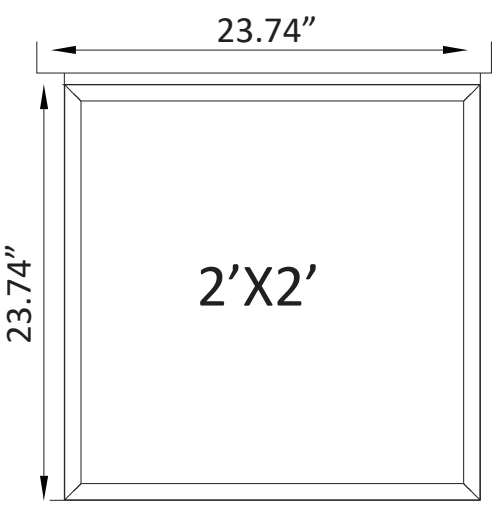
Surface Mounting Kit  
SKU: 151729



### Correlated Color Temperature (CCT)



### Dimensions



SOLD AS SET OF 4

SOLD AS SET 2

SOLD AS SET 4





# ELITE™

## 2nd Gen

### Distribution Diagram

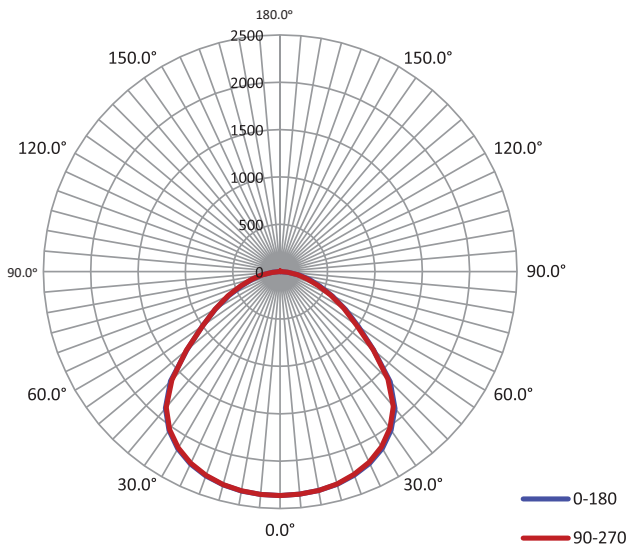
#### Electrical Measurement

Input Voltage (V)	Frequency (Hz)	Input Current (A)	Power (W)	Power Factor
120.0	60	0.409	48.94	0.998

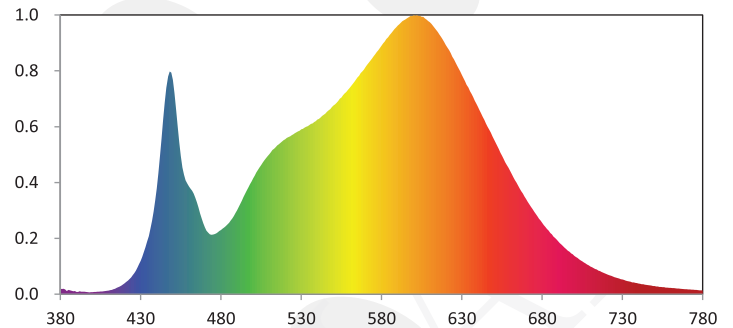
#### Photometric Measurement

Luminous Flux (lm)	Efficacy (lm/W)	Imax (cd)	S/MH (C0/180)	S/MH (C90/270)
120.0	60	0.409	48.94	0.998

#### Luminous Intensity Distribution



Relative Spectral Power Distribution



#### UGR Value

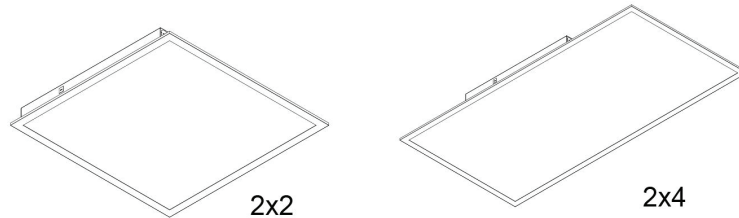
Reflectances:			
Ceiling (cavity)		0.7	
Wall		0.5	
Reference plane		0.2	
Room dimensions		Viewed crosswise	Viewed endwise
X=4H	Y=8H	19.1	18.7

# ELITE™

## 2nd Gen



### Installation



#### **WARNING**

##### **RISK OF FIRE OR ELECTRIC SHOCK**

The BFPL LED Panel Light must be installed by a qualified electrician in accordance with applicable federal, state and local laws and codes. Installation requires knowledge of luminaire electrical systems and installer should be familiar with the operation of this product. If not qualified, do not attempt installation; contact a qualified electrician. Manufacturer assumes no responsibility for the improper installation of this luminaire. When installing the fixture, drilling may damage luminaire wiring and electrical parts. Check for wiring and components in enclosure before drilling. Before installation or maintenance, please disconnect the power to prevent electric shock.

#### **WARNING**

To prevent wiring damage or abrasion, do not expose wiring to edges of sheet metal or other sharp objects. When installing this kit, drilling may damage luminaire wiring and electrical parts. Check for wiring and components in enclosure before drilling.

#### **CAUTION**

##### **RISK OF PERSONAL INJURY**

Wear gloves or proper handling protection to prevent cuts or abrasions when handling and maintaining this product. This equipment may have sharp edges. To reduce the risk of death, personal injury or property damage from fire, electric shock, falling parts, cuts/abrasions, and other hazards read all warning and instructions included with and on the fixture box and all fixture labels. Avoid direct eye exposure to the light source while it is on.

#### **WARNING**

##### **RISK OF PERSONAL INJURY, FIRE OR ELECTRIC SHOCK**

Turn OFF power before installation.

#### **NOTICE**

- Green ground screw provided in proper location. Do not relocate.
- Minimum 90° supply conductors.
- Specifications and dimensions subject to change without notice.
- Please keep the LED Panel away from any corrosive substance, and please use dry cloth when you clean it.
- Suitable for Dry or Damp location only.

#### **Contact manufacturer with any questions or concerns regarding installation of this luminair**

These instructions do not cover all details or variations in equipment nor do they provide for every possible situation during installation, operation or maintenance.



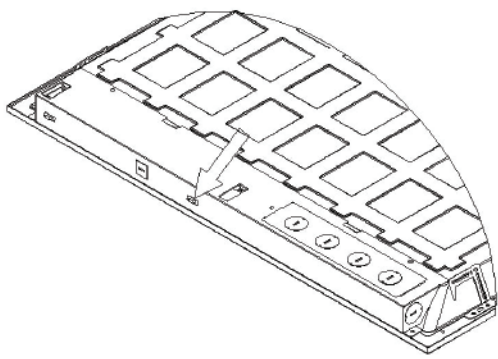
# ELITE™


## 2nd Gen

### Installation


#### 1. Schematic Of CCT Adjustment (3 Set Position)

**Schematic of CCT Adjustment (3 Set Position)**

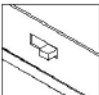




1. When the slip switch is set to left position, it is 4000K



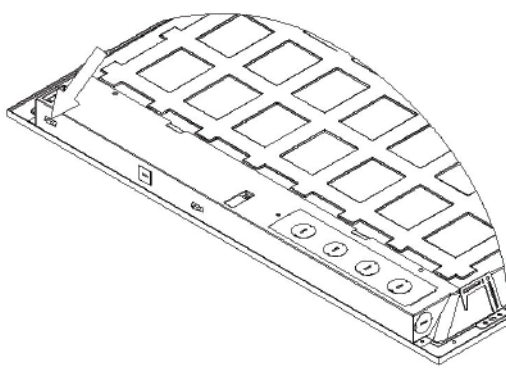
2. When the slip switch is set to centre position, it is 5000K



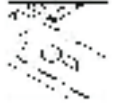
3. When the slip switch is set to right position, it is 6500K

#### 2. Schematic Of Wattage Adjustment (4 Set Position)


Schematic Wattage adjustment (4 set position) for troffer retrofit				
Item	Left Position	2nd Position (from left to right)	3rd Position (from left to right)	Right Position
2x2	24W	29W	32W	39W
2x4	40W	50W	60W	70W




1. Set slip switch to left position




2. Set slip switch to 2nd position (from left to right)

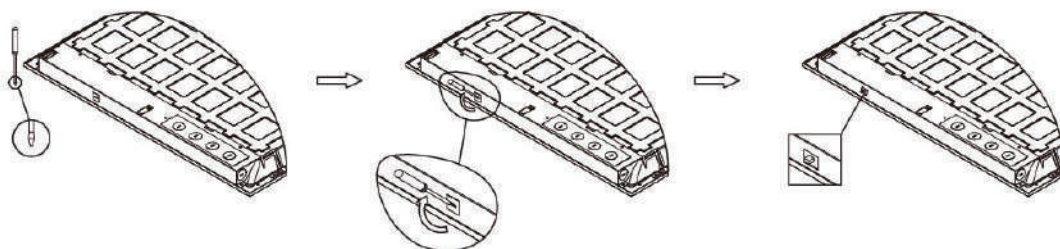


3. Set slip switch to 3rd position (from left to right)



4. Set slip switch to right position







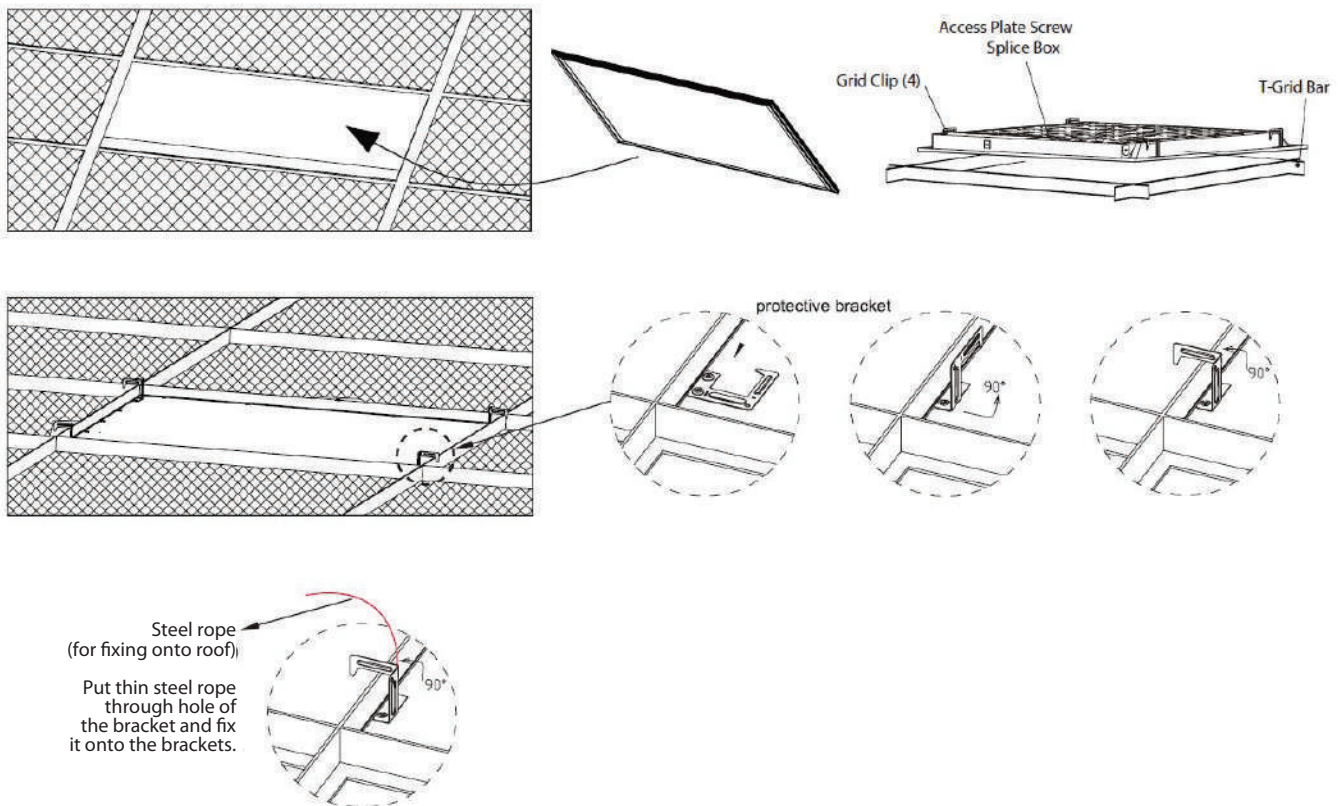
## Installation

### Recessed Installation Steps:

Suitable for 9/16" or 15/16" Flat T-Grid in both insulated ceilings and non-insulated ceilings.

Access above ceiling required.

1. Bend (4) grid clip mounting tab 90° degrees on each corner.
2. Rotate and slide the luminaire as required to fit through the T-Grid Bar and secure. Support wires are required by installation codes (not included in the package).
3. Make sure that the orientation of the Access Plate and Splice Box face an accessible tile to make electrical splices.
4. Loosen Access Plate Screw and remove the Access Plate Knock out appropriate Conduit Knockouts on the Access Plate to route input conduit. Use appropriate conduit connectors as required by code.
5. Connect wires as shown in wiring diagram below. Push all wires back into the Splice Box. Use appropriate UL-approved wire connectors as required by code to complete wiring.
6. Ensure that the wiring of the last luminaire in the row is properly terminated. Then make all electrical connections to the luminaire. Attach the wiring access cover plate.



### CAUTION

1. Avoid direct eye exposure to the light source while it is on.
2. Account for small parts and destroy packing material, as these may be hazardous to children.
3. Disconnect power and allow fixture to cool before changing bulb or handing fixture.





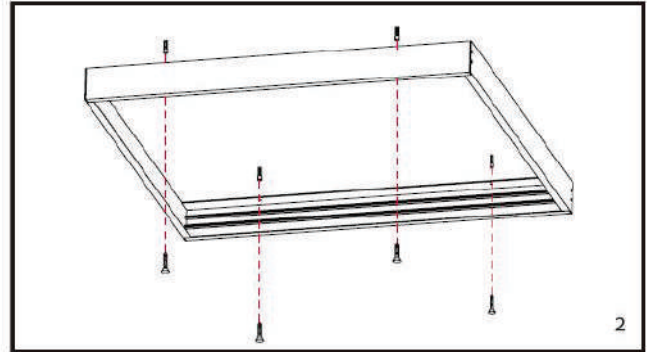
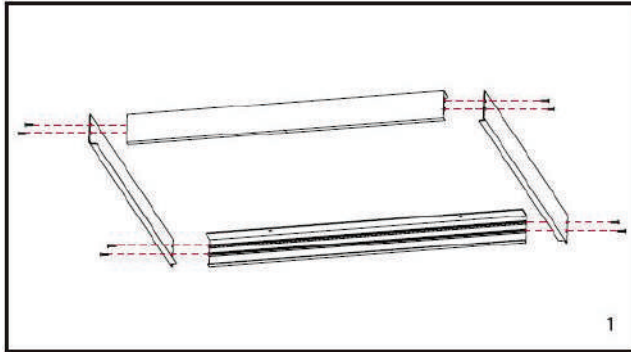
# ELITE™

## 2nd Gen

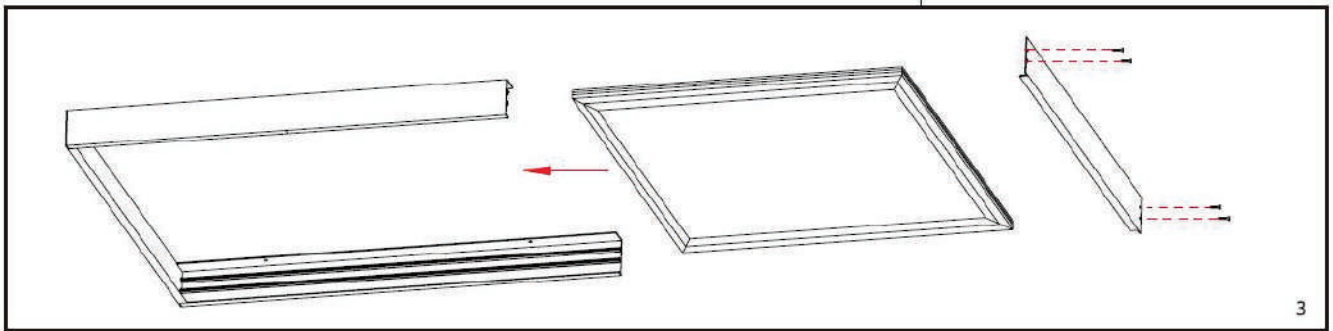
### Installation

#### Surface Mount Installation Steps (Required additional kit from manufacturer)

1. Put the four pieces of frame together and fix them by screws.
2. Fix the frame onto the wall by screws.

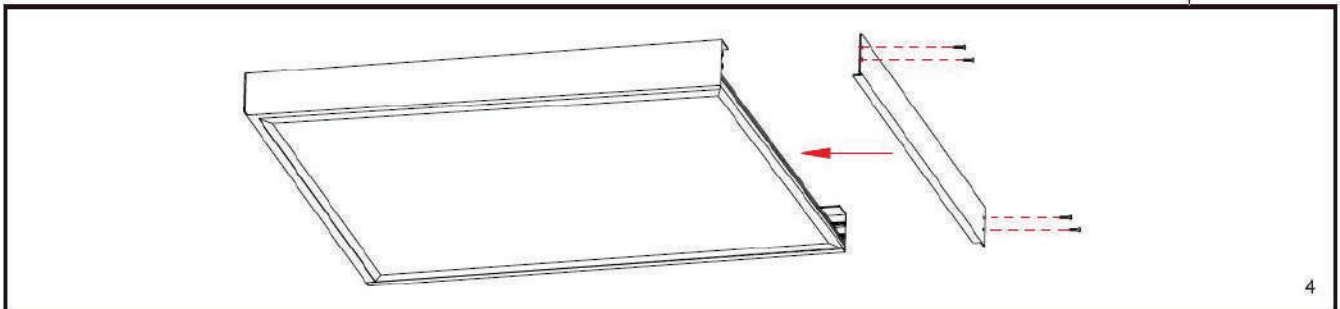


3. Dismantle one piece of frame and put the LED panel into the frame.



4. Fix the frame by putting back the dism

**Note:** The drivers and connector must be fixed to the back of LED panel by adhesive tape.



#### WIRING INSTRUCTION

Universal voltage driver permits operation at 120V thru 277V.

1. Connect the BLACK fixture lead to the LINE supply lead.
2. Connect the WHITE fixture lead to the COMMON supply lead.
3. Connect the GROUND wire from fixture to supply ground.

#### TROUBLESHOOTING

1. Check that the line voltage at fixture is correct. Refer to wiring directions.
2. Is the fixture grounded prop

LINE		BLACK	<b>LIGHT FIXTURE</b>
COMMON		WHITE	
DIM V+		PURPLE	
DIM V-		PINK	
GROUND		GREEN	

# ELITE™

## 2nd Gen



### Packaging

SKU #	Panel Size	Qty.	Dimensions	Net Weight	Gross Weight
156734	2' X 2'	4 Pcs/Box	25.4" X 6.1" X 25.2"		
156735	2' X 4'	4 Pcs/Box	49.4" x 6.1" x 25.2"		
156751	2' X 4'	2 Pcs/Box	49.8" x 24.8" x 2.95"		

### Warranty

5 Years Warranty

### Application Images



LED CLOUD PANEL



# ELITE™

## 2nd Gen

### Application Images



LED CLOUD PANEL