



# ASTRO™

## LED AC Modules



Beyond LED's ASTRO LED AC Modules are high quality LED AC Modules specially designed for outdoor applications including construction activity, retrofit of medium size and large size channel letters, or utility of sign decoration. The product is available in White, Yellow, Blue, Red & RGB color. Our AC modules are easily customized to meet all required specification. The excellent heat dissipation provided by the integrated heat sink reduces the degradation of light and color deviation. In addition, the ultrasonically welded body of these modules and its IP67 rating guarantees water resistance for signage applications.

### Product Features

- Input Voltage AC 110V
- No need driver
- Max 100pcs per string , without voltage drop,
- Easy For Installation
- High brightness, save your cost
- Beam angle 160° Degree
- Beam Angle 15x45°
- UL Listed
- 3 Years Warranty

# ASTRO™

## LED AC Modules



SKU #	Model #	Watt	Lumens	CCT	Color	Input Voltage	Beam Angle	IP Rating	Certifications
156840	FH3XF-HV-D	3W	300Lm	10000K	White	110V AC	15x45°	IP65	UL
156819	DM3WF-67	3W	350Lm	10000K	White	110V AC	160°	IP67	UL
156841	DM3XF-JC	3W	390Lm	10000K	White	110V AC	160°	IP65	UL
156842	DM3XF-JC	3W	390Lm	3000K	Warm White	110V AC	160°	IP65	UL
156843	DM3XF-JC	3W	-	-	Red	110V AC	160°	IP65	UL
156844	DM3XF-JC	3W	-	-	Blue	110V AC	160°	IP65	UL

### SKU: 156840

### Specifications

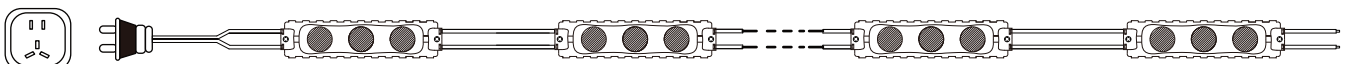
Parameter	Description	Value
General Performance	Model #	FH3XF-HV-D
	Wattage	3W
	Lumen	300LM
	Lumen Efficacy	Up to 100LM/W
	Color Temperature	10000K
	Input Voltage	110V AC
	LED Chip	SMD2835
	Beam Angle	15x45° Degree
	Module Pitch	5.11"
	Operating Temperature	-20°C ~ 60°C
	Color	White
	IP Rating	IP65 Rated
	Cable	24AWG 600V/105°C
	Warranty	3 Years Warranty

### SKU: 156840

### Connection Diagram

AC110V

AC110V





# ASTRO™

## LED AC Modules

SKU: 156819

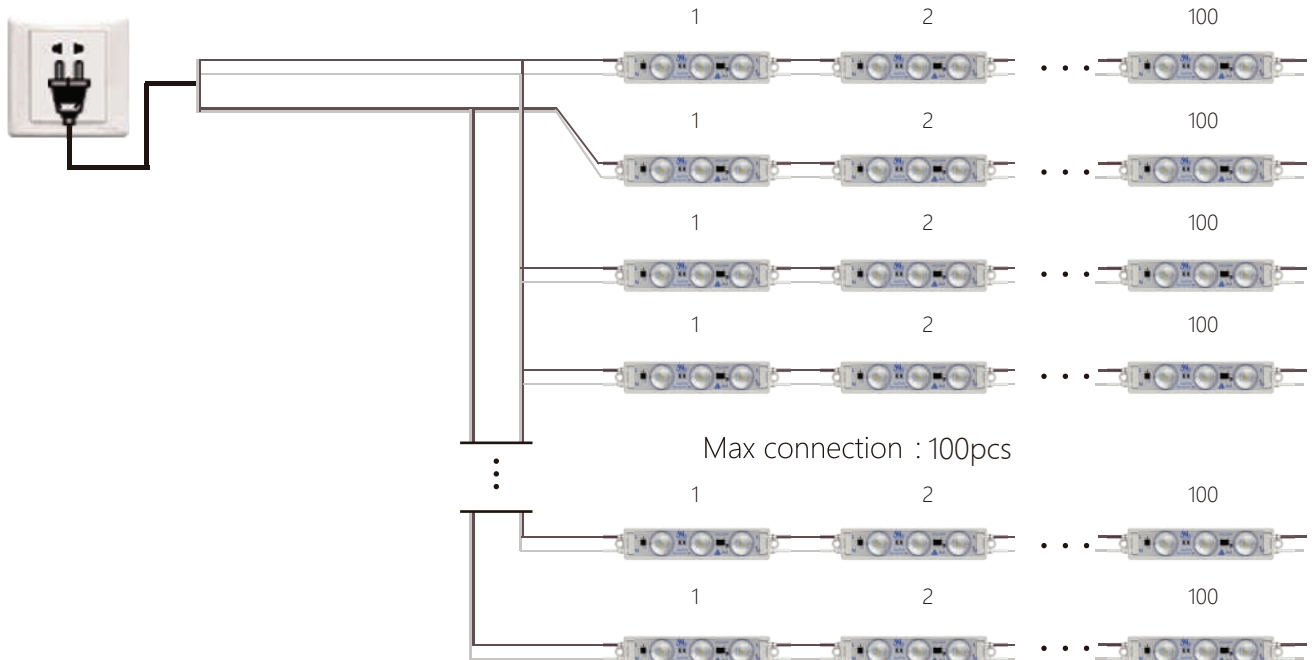
### Specifications

Parameter	Description	Value
General Performance	Model #	DM3WF-67
	Wattage	3W
	Lumen	350LM
	Lumen Efficacy	Up to 120LM/W
	Color Temperature	10000K
	Input Voltage	110V AC
	LED Chip	SMD2835
	Beam Angle	160° Degree
	Module Pitch	5.11"
	Operating Temperature	-20°C ~ 60°C
	Color	White
	IP Rating	IP67 Rated
	Cable	24AWG 600V/105°C
	Warranty	3 Years Warranty

SKU: 156819

### Connection Diagram

AC 220V Input



# ASTRO™

## LED AC Modules



SKU: 156841 / 156842 / 156843 / 156844

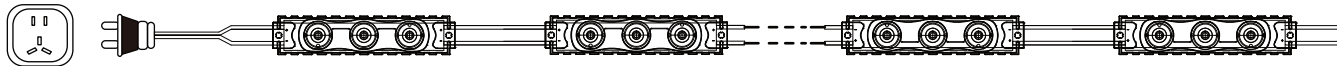
### Specifications

Parameter	Description	Value
General Performance	Model #	DM3XF-JC
	Wattage	3W
	Lumen	390LM
	Lumen Efficacy	Up to 130LM/W
	Color Temperature	10000K
	Input Voltage	110V AC
	LED Chip	SMD2835
	Beam Angle	160° Degree
	Module Pitch	5.11"
	Operating Temperature	-20°C ~ 60°C
	Color	White / Warm White / Red / Blue
	IP Rating	IP65 Rated
	Cable	24AWG 600V/105°C
	Warranty	3 Years Warranty

SKU: 156841 / 156842 / 156843 / 156844

### Connection Diagram

AC110V



AC110V

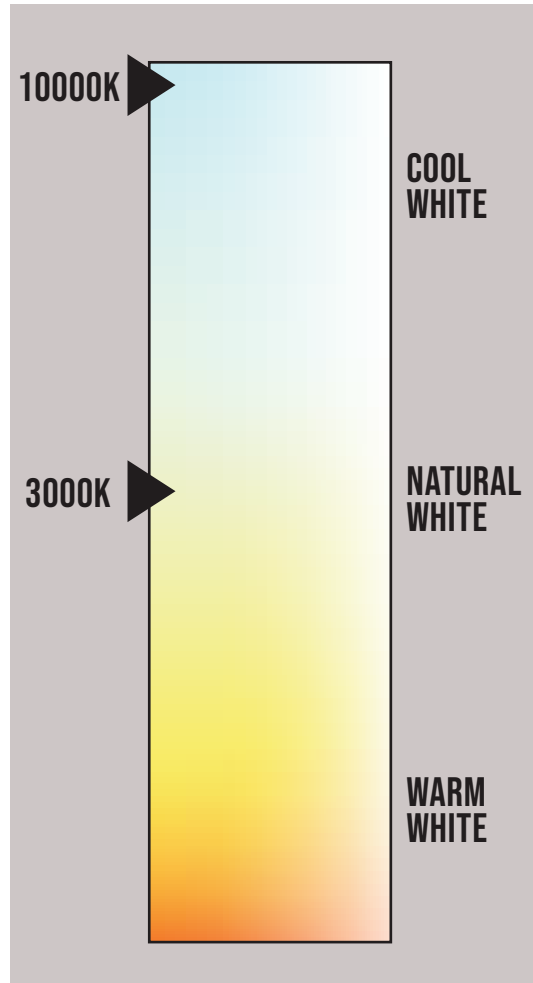
LED AC MODULES



# ASTRO™

## LED AC Modules

### Correlated Color Temperature (CCT)



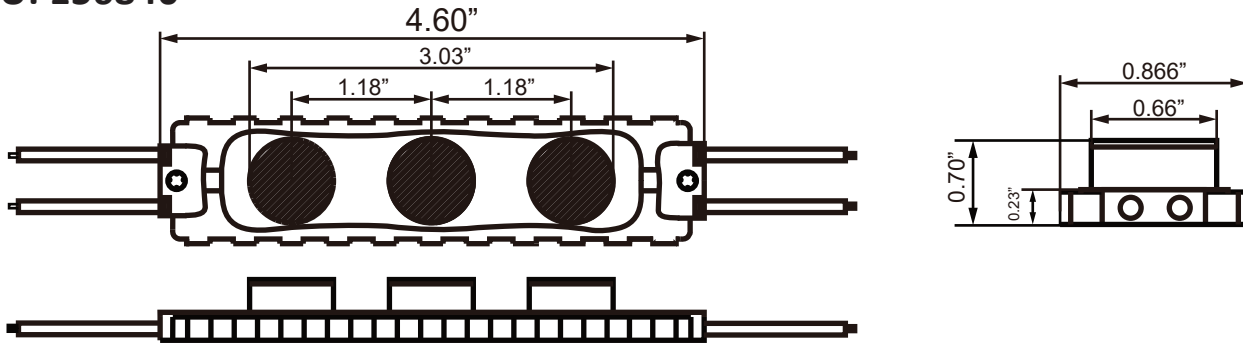
# ASTRO™

## LED AC Modules

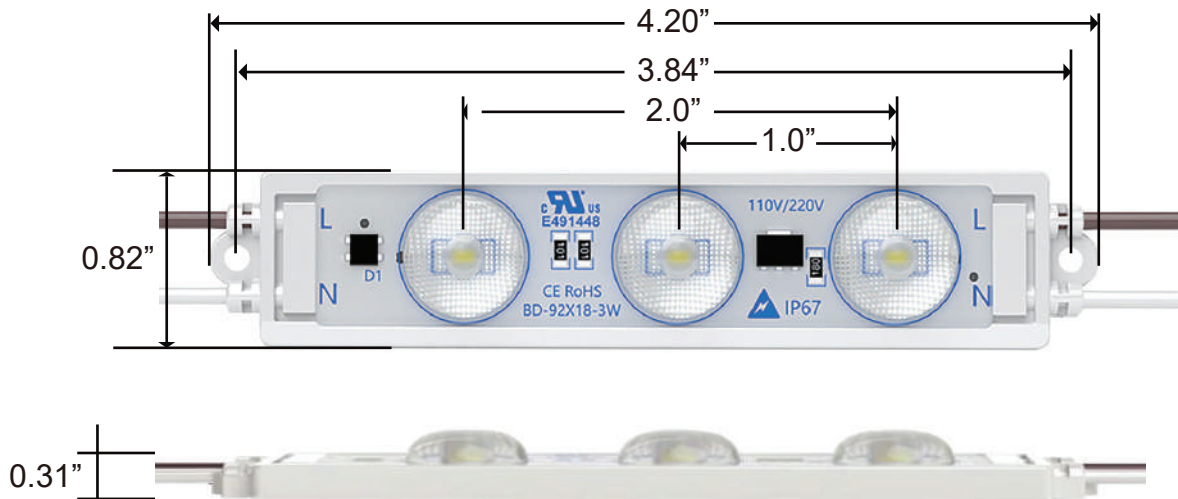


### Dimensions

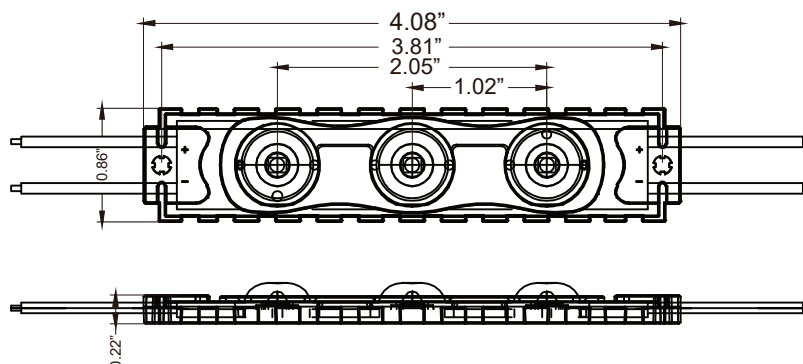
SKU: 156840



SKU: 156819



SKU: 156841 / 156842 / 156843 / 156844

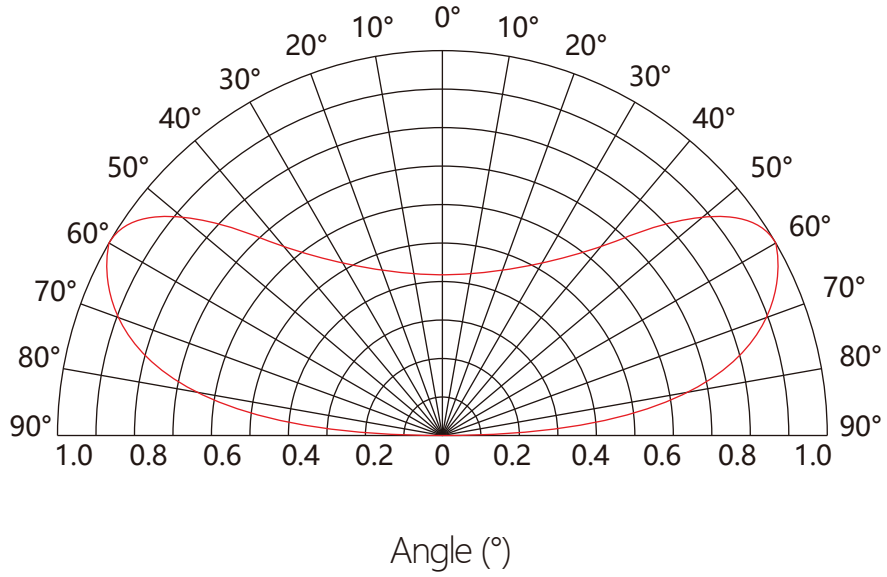




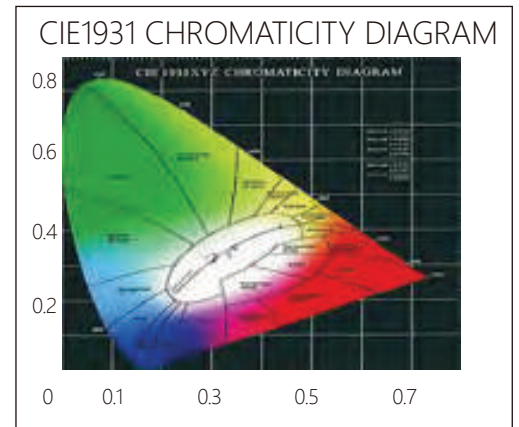
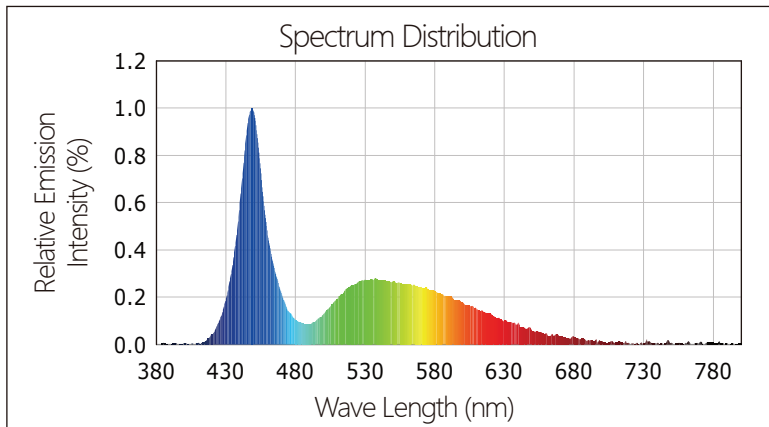
# ASTRO™ LED AC Modules

SKU: 156840

Beam Angle



## CIE Colorimetric Parameters

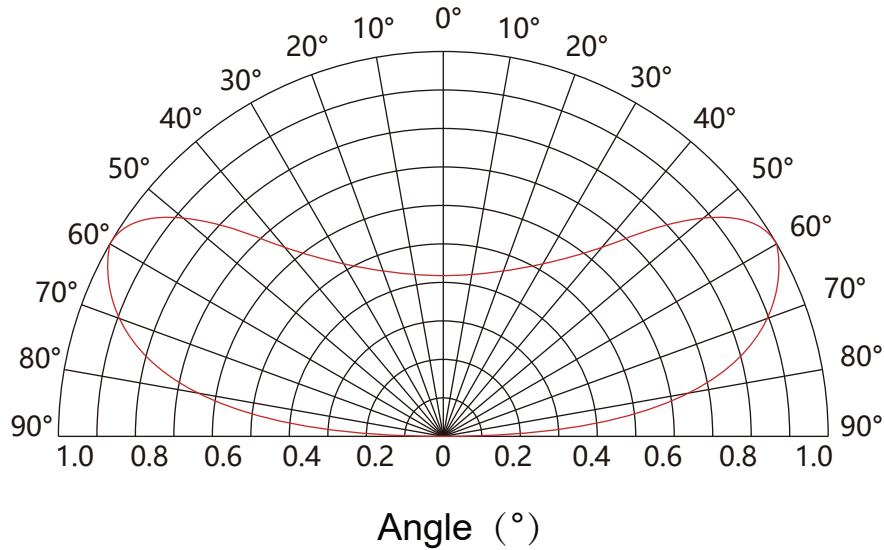


# ASTRO™ LED AC Modules

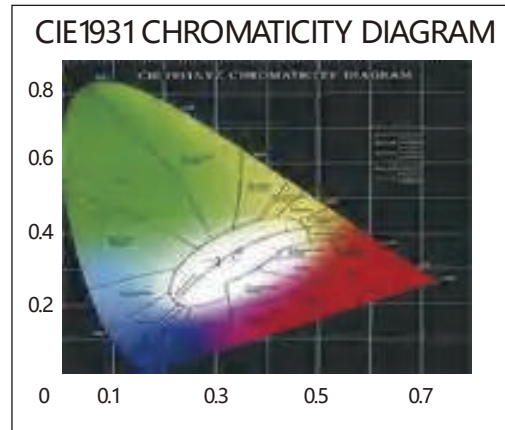
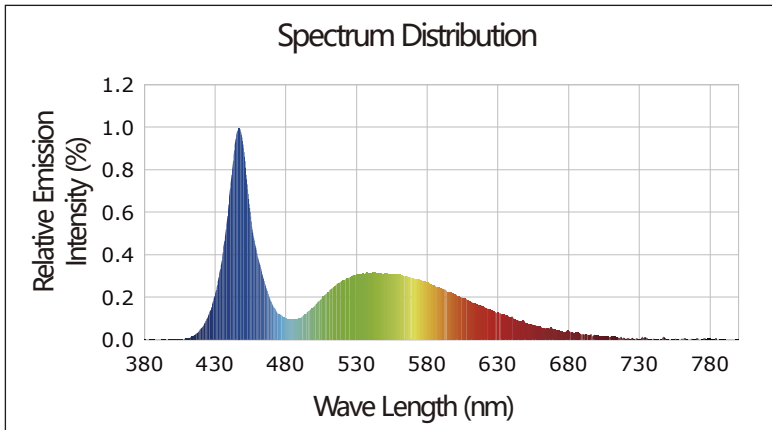


SKU: 156819

Beam Angle



## CIE Colorimetric Parameters



With Epoxy Glue, More Waterproof



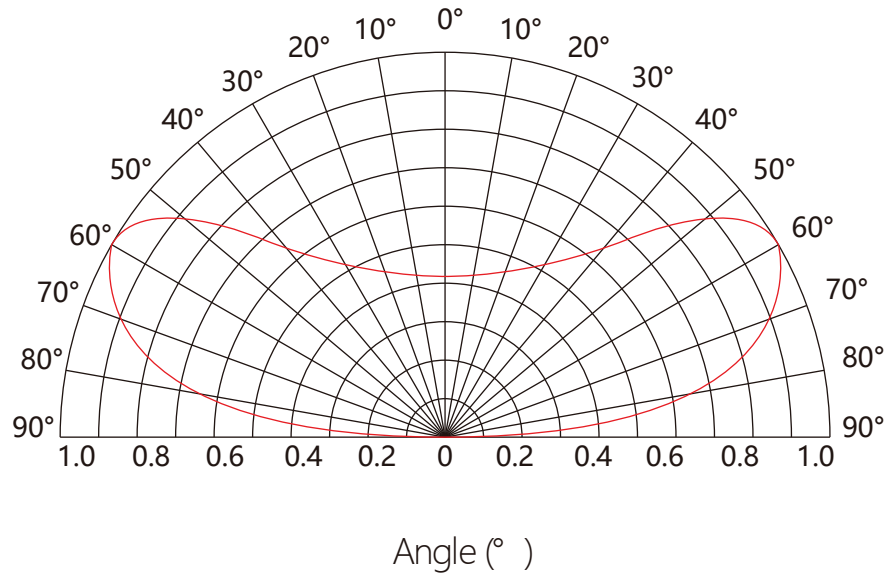




# ASTRO™ LED AC Modules

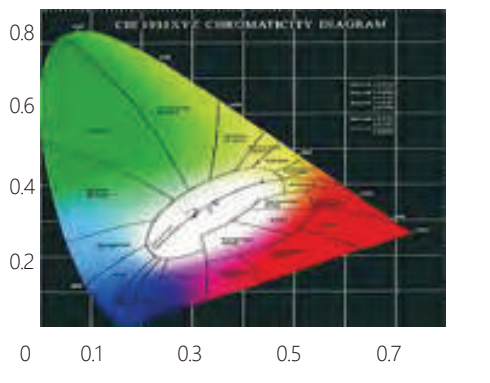
SKU: 156841

Beam Angle

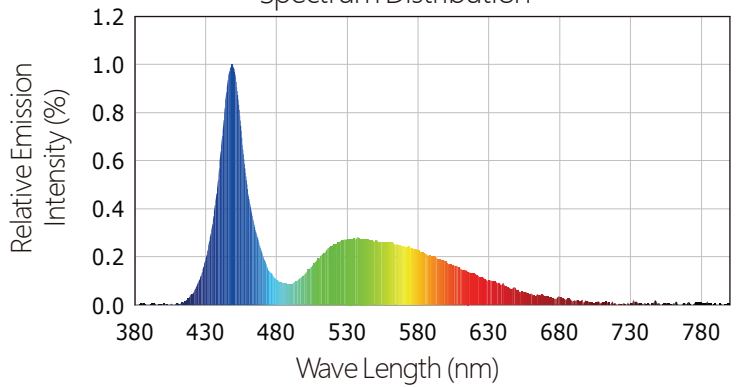


## CIE Colorimetric Parameters

CIE1931 CHROMATICITY DIAGRAM



Spectrum Distribution



# ASTRO™

## LED AC Modules



### Packaging

SKU	Carton Size (Inches)	Qty/Box	Net Weight	Gross Weight
156840	19.68 x 13.77 x 13.77	50 Pcs/String/1000 Pcs/Box	0.05 LBS	59.52 LBS
156819	16.98 x 13.77 x 13.77	11 Boxes/100 Pcs/String	0.04 LBS	48.50 LBS
156841	16.98 x 13.77 x 13.77	11 Boxes/100 Pcs/String	0.04 LBS	48.50 LBS
156842	16.98 x 13.77 x 13.77	11 Boxes/100 Pcs/String	0.04 LBS	48.50 LBS
156843	16.98 x 13.77 x 13.77	11 Boxes/100 Pcs/String	0.04 LBS	48.50 LBS
156844	16.98 x 13.77 x 13.77	11 Boxes/100 Pcs/String	0.04 LBS	48.50 LBS



# ASTRO™

## LED AC Modules

### Application Image

