



ALTUS™

LED WALL SCONCE



Beyond LED ALTUS wall Sconce is a traditional style wall pack that is energy-efficient and reliable, due to its compact housing and long lifespan. Altus Wall Sconce comes with two different sizes, three adjustable wattage and Color Temperature. ALTUS luminaires offer classical elegance with aluminum housing and an excellent optic design for uniform light distribution. The ALTUS luminaires are ideal for applications such as personnel doors, hotel lobbies, Cafes, restaurants, Bars, Hotels, offices etc.

Product Features

- Up to 120 Lumens per watt
- Operating temperature: -20°C to 40°C
- Emits evenly, without halo and shadow
- Surface mount installation
- IP66 Rated
- Input Voltage 120-277Vac
- 80% more energy saving than halogen lamp
- ETL Listed
- 5 Year warranty

ALTUS™

LED WALL SCONCE



| SKU # | Model # | Wattage Adjustable | CCT Adjustable | Lumens | Input Voltage | Certifications |
|--------|--------------------------|--------------------|----------------|--------------|---------------|----------------|
| 156258 | MT-WS16AD-W83C-864-011D | 12W/14W/16W | 3K / 4K / 5K | Up to 1920Lm | 120-277Vac | ETL |
| 156259 | MT-WS22AD-W83C-1454-011D | 18W/20W/22W | 3K / 4K / 5K | Up to 2640Lm | 120-277Vac | ETL |

SKU Number 156258 Specifications

| Parameter | Description | Value |
|---------------------|-------------------------|-------------------------|
| General Performance | Model # | MT-WS16AD-W83C-864-011D |
| | Wattage Adjustable | 12W / 14W / 16W |
| | Lumen | 1440Lm - 1920Lm |
| | Lumen Efficacy | Up to 120LM/W |
| | Color Temperature | 3000K / 4000K / 5000K |
| | CRI (Ra) | >80 |
| | Beam Angle | 270° Degree |
| | Diffuser Type | Frosted |
| Electrical | Input Voltage | 120-277Vac |
| | Frequency | 50/60Hz |
| | Dimming | NO |
| | Power Factor | >0.9 |
| | Driver Surge Protection | 2KV |
| | Flicker Percent | 20% |
| Physical | Operating Temperature | -20°C To 40°C |
| | Operating Humidity | 10% to 90%RH |
| | Storage Temperature | -20°C To 55°C |
| | Storage Humidity | 10% to 90%RH |
| | LED Brand | Everlight |
| | LED Type | 2835 SMD LED |
| | LED QTY | 168Pcs |
| | Housing Material | Aluminum + PC |
| Housing Color | Black | |
| Qualification | IP Rated | IP66 |
| | Warranty | 5 Year Limited |



ALTUS™

LED WALL SCONCE

SKU Number 156259

Specifications

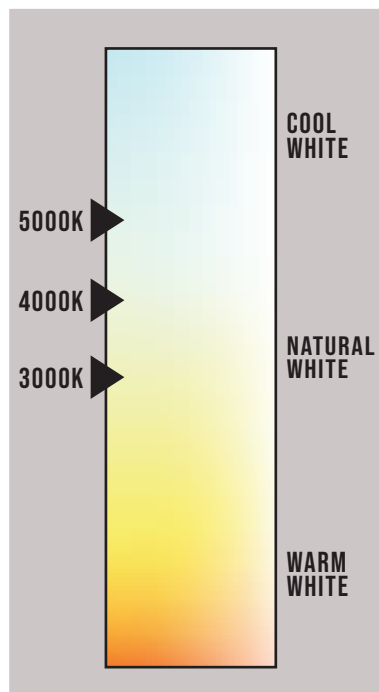
| Parameter | Description | Value |
|---------------------|-------------------------|--------------------------|
| General Performance | Model # | MT-WS22AD-W83C-1454-011D |
| | Wattage Adjustable | 18W / 20W / 22W |
| | Lumen | 2160Lm - 2640LM |
| | Lumen Efficacy | Up to 120LM/W |
| | Color Temperature | 3000K / 4000K / 5000K |
| | CRI (Ra) | >80 |
| | Beam Angle | 270° Degree |
| | Diffuser Type | Frosted |
| Electrical | Input Voltage | 120-277Vac |
| | Frequency | 50/60Hz |
| | Dimming | NO |
| | Power Factor | >0.9 |
| | Driver Surge Protection | 2KV |
| | Flicker Percent | 20% |
| Physical | Operating Temperature | -20°C To 40°C |
| | Operating Humidity | 10% to 90%RH |
| | Storage Temperature | -20°C To 55°C |
| | Storage Humidity | 10% to 90%RH |
| | LED Brand | Everlight |
| | LED Type | 2835 SMD LED |
| | LED QTY | 192Pcs |
| | Housing Material | Aluminum + PC |
| Housing Color | Black | |
| Qualification | IP Rated | IP66 |
| | Warranty | 5 Year Limited |

ALTUS™

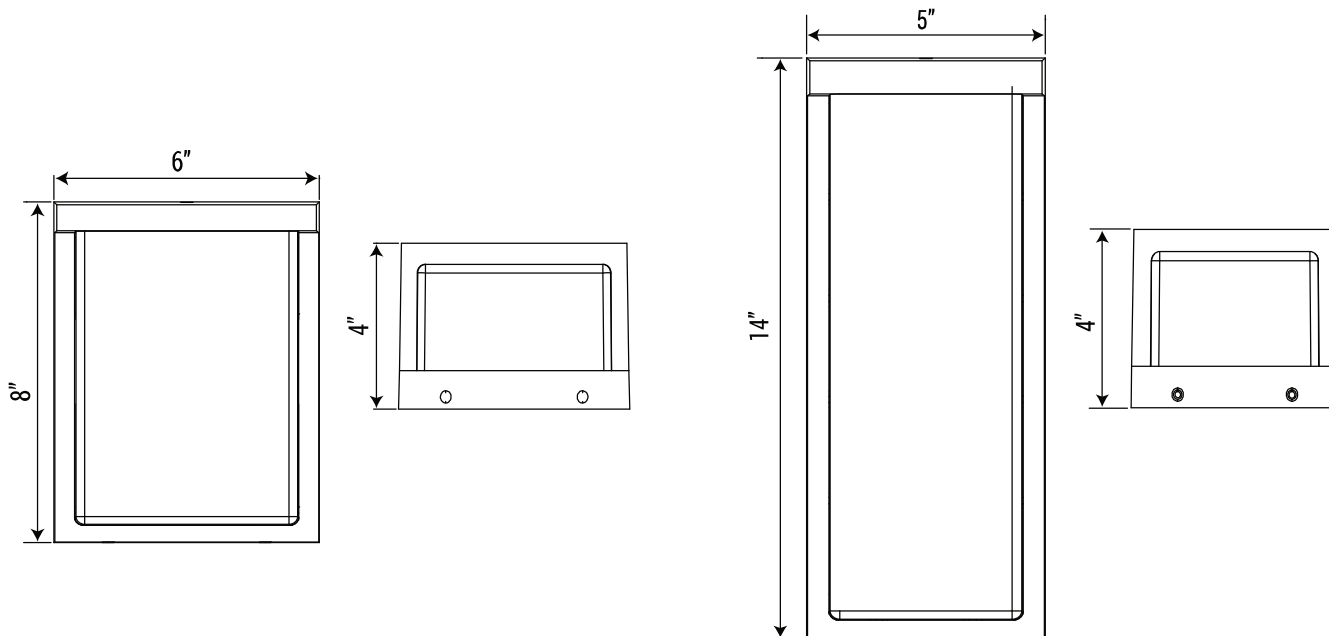
LED WALL SCONCE



Correlated Color Temperature (CCT)



Dimensions



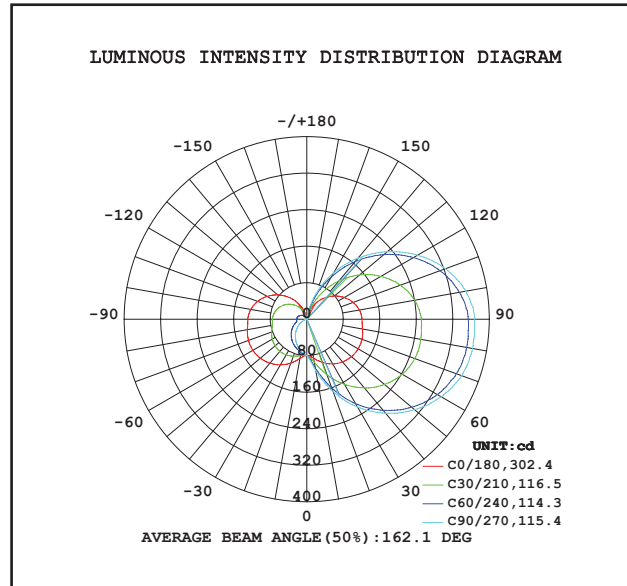


ALTUS™

LED WALL SCONCE

SKU: 156258

Photometric Data



AAI Figure

Flux out: 449.2 lm

| Height | Eavg, Emax | Angle: 119.28deg | Diameter |
|--------|-----------------|------------------|-----------|
| 1m | 47.66, 146.61x | | 341.45cm |
| 2m | 11.92, 36.651x | | 682.90cm |
| 3m | 5.296, 16.291x | | 1024.35cm |
| 4m | 2.979, 9.1641x | | 1365.80cm |
| 5m | 1.906, 5.8651x | | 1707.25cm |
| 6m | 1.324, 4.0731x | | 2048.70cm |
| 7m | 0.9727, 2.9921x | | 2390.14cm |
| 8m | 0.7447, 2.2911x | | 2731.59cm |
| 9m | 0.5884, 1.8101x | | 3073.04cm |
| 10m | 0.4766, 1.4661x | | 3414.49cm |

Note: The Curves indicate the illuminated area and the average illumination when the luminaire is at different distance.

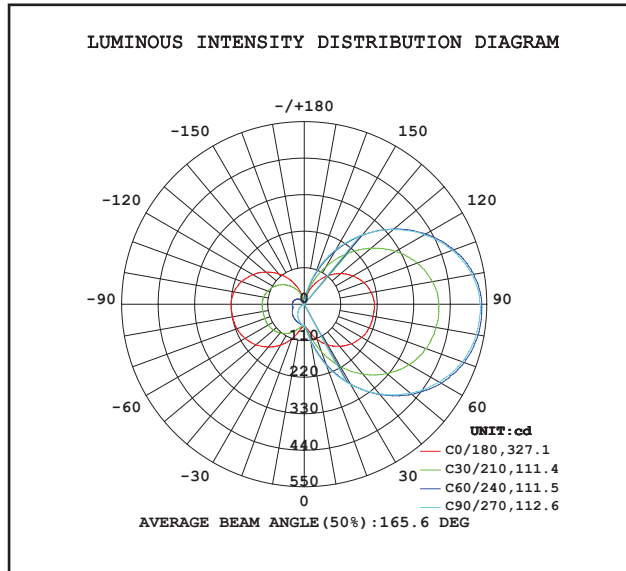
ALTUS™

LED WALL SCONCE



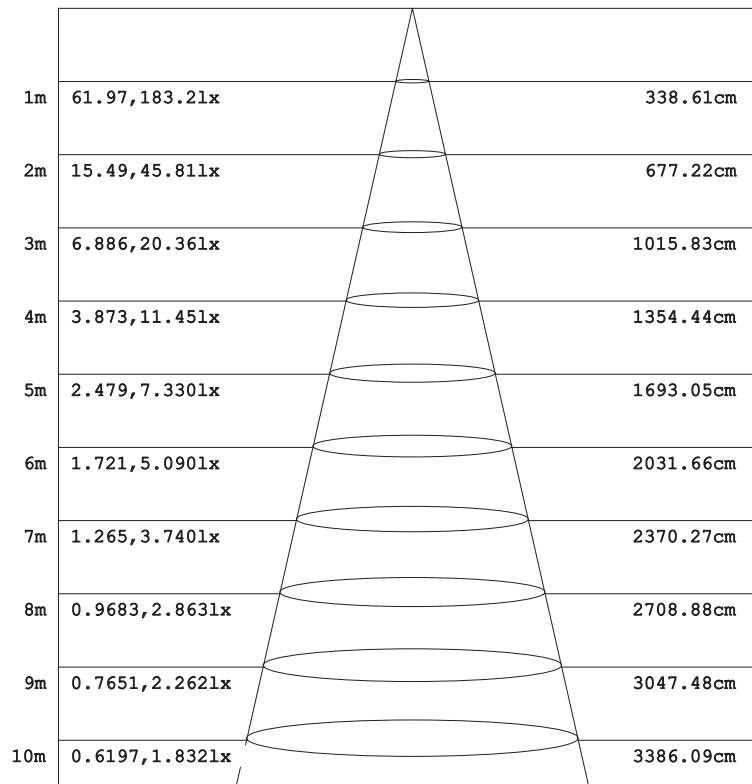
SKU: 156259

Photometric Data



AAI Figure

Flux out: 584.1 lm



Height Eavg, Emax Angle: 118.86deg Diameter

Note: The Curves indicate the illuminated area and the average illumination when the luminaire is at different distance.



ALTUS™

LED WALL SCONCE

Installation

WARNING

PLEASE READ ALL INSTRUCTIONS BEFORE ATTEMPTING INSTALLATION

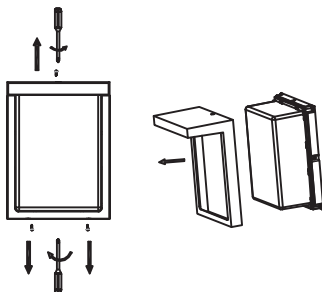
- To prevent personal injury or product damage only licensed electricians should install.
- To avoid electric shock or component damage disconnect power before attempting installation or servicing. Disconnect product and allow cooling prior to servicing.
- Any alteration or modification and/or electrical shock this product is forbidden, as it may cause personal injury, death, property damage and/or product malfunction.
- This luminaire is designed to operate in ambient temperatures ranging from -40oC to 50oC (-40oF to 122oF)
- MIN 75 °C SUPPLY CONDUCTORS.
- CONSULT A QUALIFIED ELECTRICIAN TO ENSURE CORRECT BRANCH CIRCUIT CONDUCTOR.

Mounting Bracket

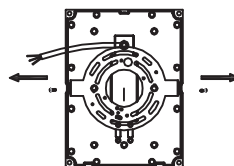


Installation Method A

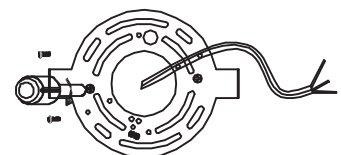
Step 1: Remove the 3 screws on the PC frame, one on the top and the other two at the bottom, then take out the PC frame.



Step 2: Remove the screws on both sides of the light and take out the installation bracket.



Step 3: Screw the bracket onto the wall.



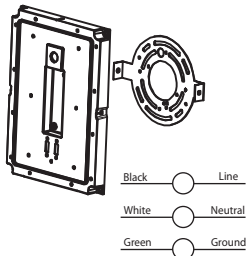
ALTUS™

LED WALL SCONCE

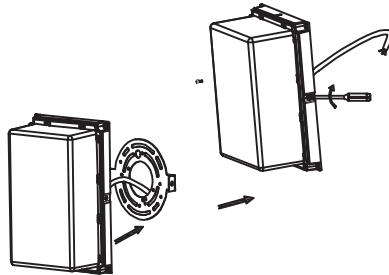


Installation

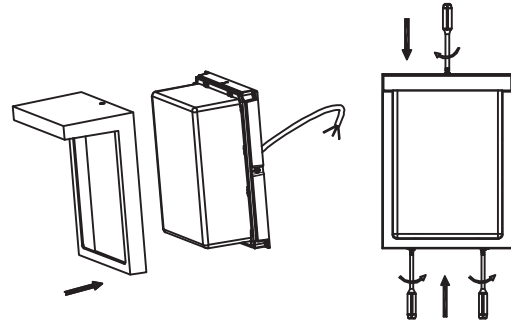
Step 4: Connect the light cable to the power input cable.



Step 5: Screw and fasten the light on the bracket with screws on both sides of the lights.

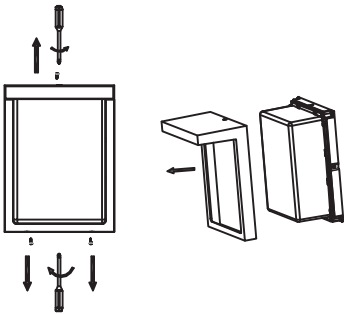


Step 6: Screw and fasten the PC frame back to the light with one screw on the top and two screws at the bottom.



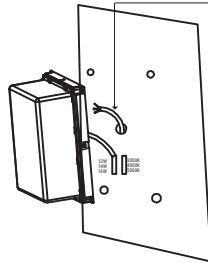
Installation Method B

Step 1: Remove the 3 screws on the PC frame, one on the top and the other two at the bottom, then take out the PC frame.

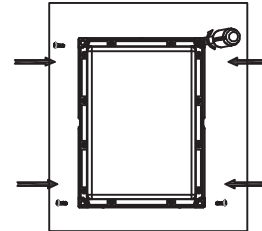


Step 2: Connect the light cable to the power input cable.

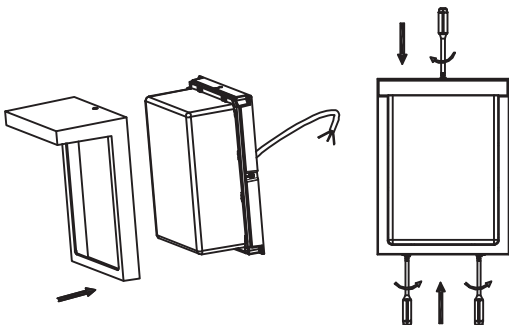
Attention: The screw hole on top of the light is mounted facing to front part of the light.



Step 3: Screw and fasten the light to the wall with 4 KA5X12 screws on the 4 corners of the light.



Step 4: Screw and fasten the PC frame back to the light with one screw on the top and two screws at the bottom.





ALTUS™

LED WALL SCONCE

Packaging

| SKU # | Qty | Dimensions / (Inches) | NET Weight | Gross Weight |
|--------|-----|-----------------------|------------|--------------|
| 156258 | 10 | 20.27 x 13 x 8.85 | 13.22lbs | 15.21lbs |
| 156259 | 10 | 20.27 x 11.22 x 14.76 | 16.75lbs | 18.30lbs |

Application Picture



Warranty

5 Year Limited Warranty