

MARSHYDRØ

Grow on Earth, Grow with Mars

# USER MANUAL

**VG Series** Full-Spectrum & Red light Supplemental LED Bar



# SPECIFICATIONS & CONTENTS



AC Power Cord



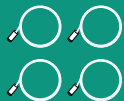
Length Adjusters (4)  
(only for VG80)



Bolts (4)  
(only for VG80)



Clips (4)  
(only for VG80)



Steel Cables (4)  
(only for VG80)



Ribbon (10)  
(for VG80-R/VG40/VG40-R)



Rope Hanger (4)  
(for VG80-R/VG40/VG40-R)



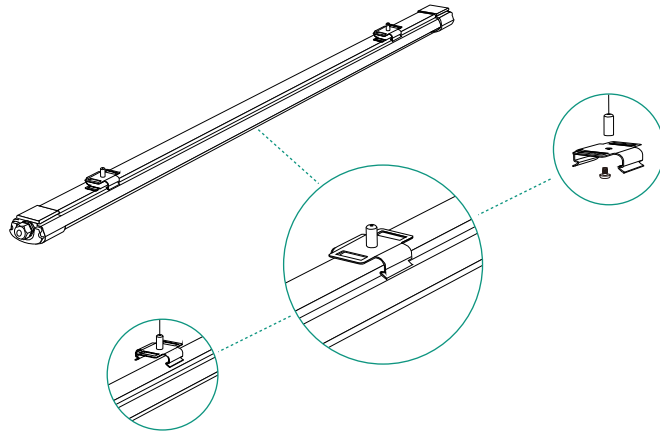
Limited Rod (4)  
(for VG80-R/VG40/VG40-R)

Model	Picture	Input Power and Voltage	Max Qty of LED Bar (Just Use One Power Cord)	The LED Fixture Cable Length	Dimensions/Weight
VG80		80W±5%@AC100-277V	8pcs at 100-110V 16pcs at 220-240V	Light bar IN cable 0.5m (19.6") Light bar OUT cable 0.5m (19.6") Power INPUT cable 1.5m (59")	1150*50*31MM 1.5KG
VG40		40W±5%@AC100-277V	16pcs at 100-110V 32pcs at 220-240V	Light bar IN cable 0.7m (27.6") Light bar OUT cable 0.7m (27.6") Power INPUT cable 1.5m (59")	600*50*31MM 0.94KG
VG80-R		80W±5%@AC100-277V	8pcs at 100-110V 16pcs at 220-240V	Light bar IN cable 0.7m (27.6") Light bar OUT cable 0.7m (27.6") Power INPUT cable 1.5m (59")	960.5*50*31MM 1.33KG
VG40-R		40W±5%@AC100-277V	16pcs at 100-110V 32pcs at 220-240V	Light bar IN cable 0.7m (27.6") Light bar OUT cable 0.7m (27.6") Power INPUT cable 1.5m (59")	600*50*31MM 0.94KG

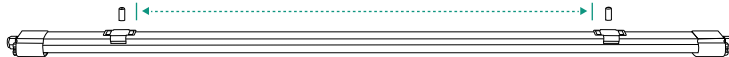
# FIXTURE INSTALLATION

## VG80 INSTALLATION METHOD

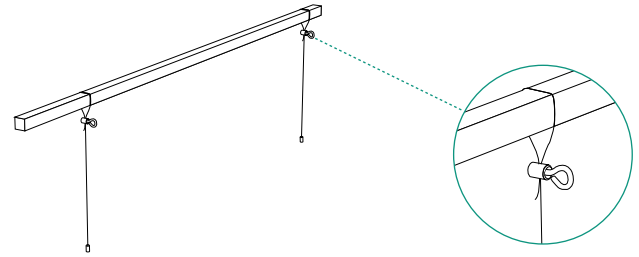
(1) Attach the clips to the fixture



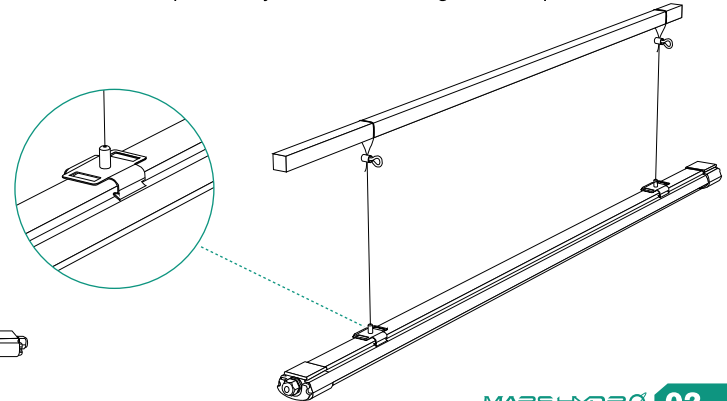
(2) Adjust the position of the clips as needed



(3) Wrap the steel cables over the tent pole or mounting surface

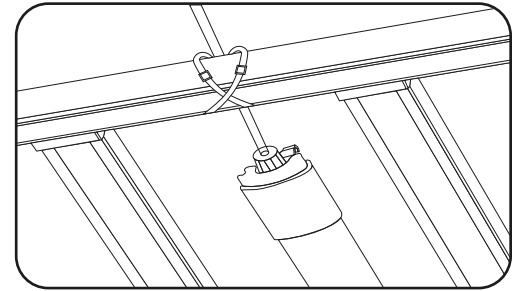
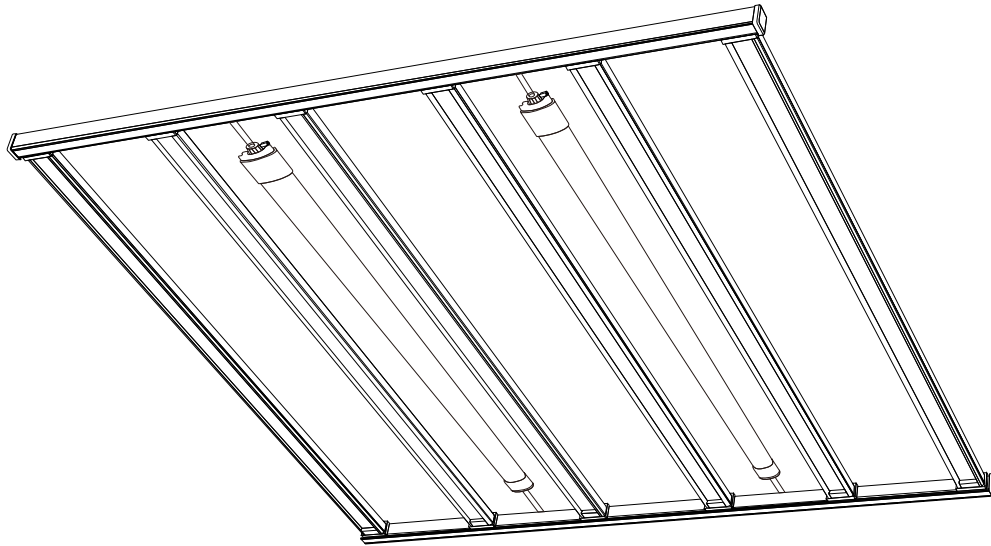


(4) Insert the clip and adjusted end through the loop of the cable .



# VG40 & VG40-R & VG80-R INSTALLATION METHOD

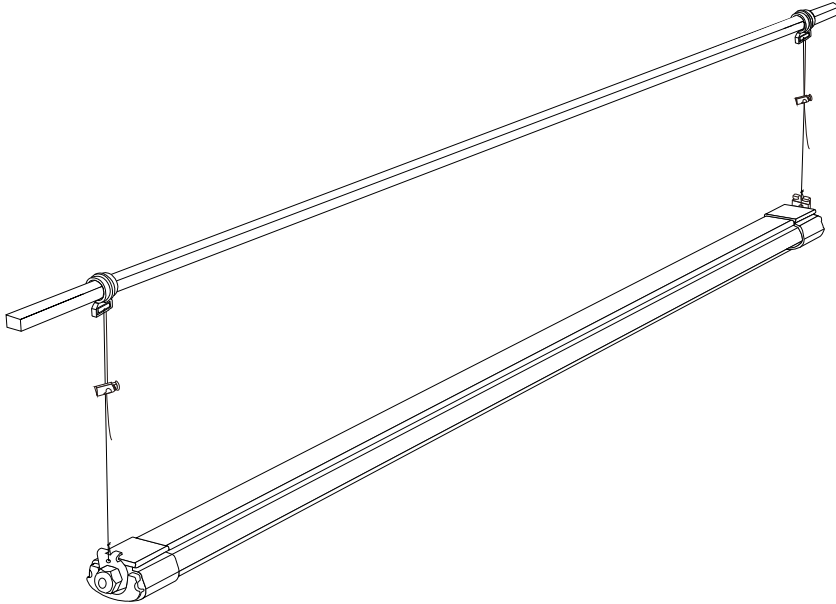
## ① Fit Directly Into The Main Light Frame



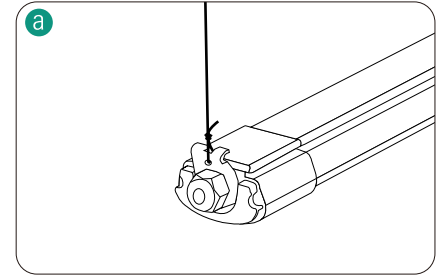
Use zip ties to secure the light strip to the main light frame

**Note:** It is recommended to use VG80-R with FC6500/FC-E6500 and larger lights.

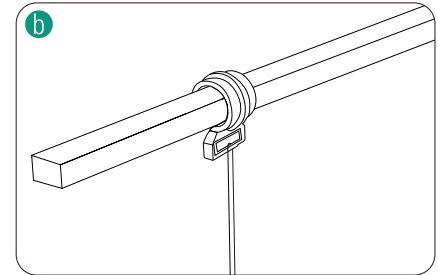
## 2 Horizontal Suspension With Main Light



**Note:** It is recommended to hang VG40-R horizontally next to FC3000/FC-E3000 /FC4800/FC-E4800.

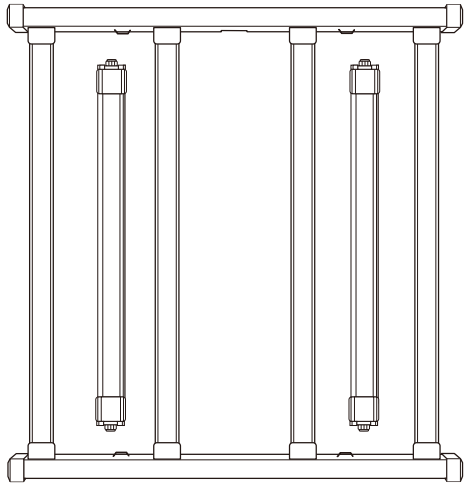


Attach the hanging rope to the hook on the light bar.

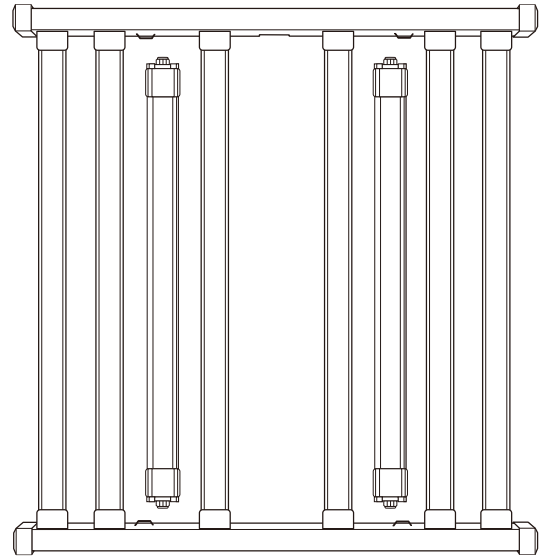


Hang the lamp on the pole using the hook of the hanging rope.

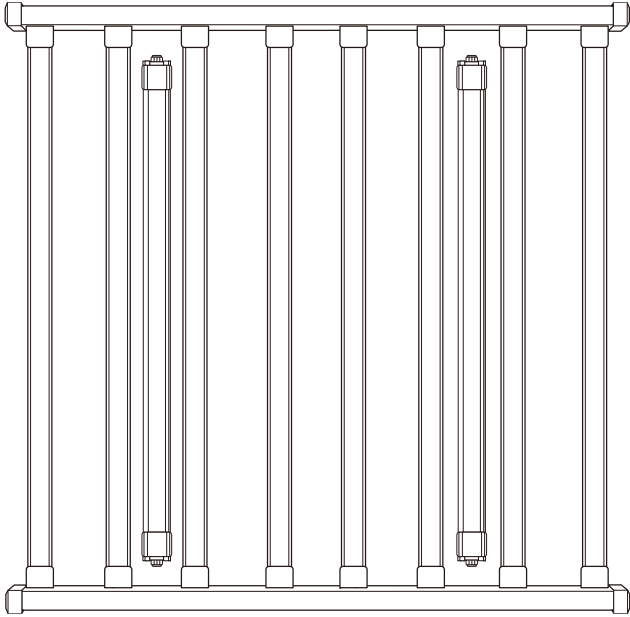
# VG40-R & VG80-R SUGGESTED PLACEMENT



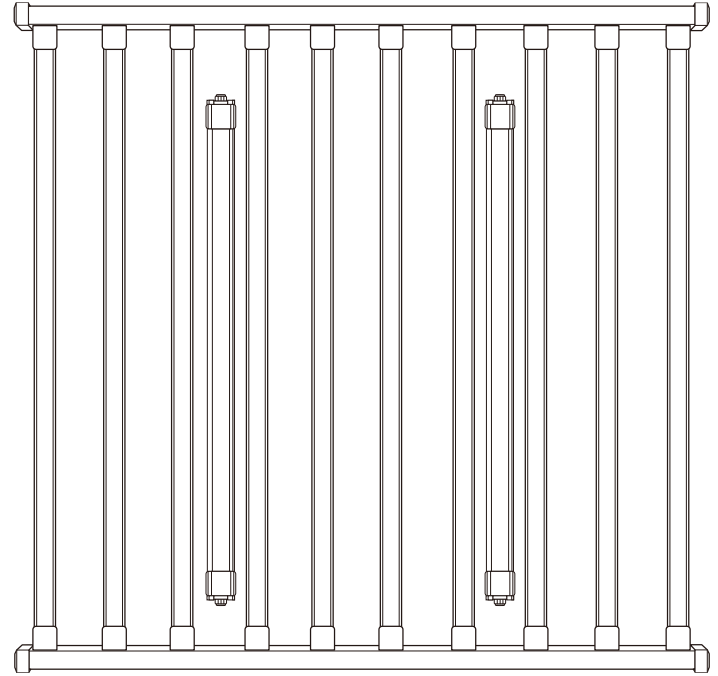
VG40-R & Main light(4 Light Strips)



VG80-R & Main light(6 Light Strips)



VG80-R & Main light(8 Light Strips)

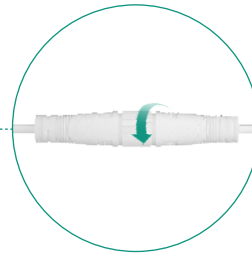
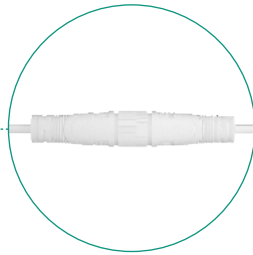


VG80-R & Main light(10 Light Strips)

# MULTIPLE LIGHTS CONNECTION



To connect the power cord, align the terminals of the cord, plug in and twist to secure.



To disconnect the power cord, twist the two halves away from each other first then pull apart.



# WARNINGS

## **Warning! Carefully read the warnings below before using or working with the product!**

- Always adhere to the local rules and regulations when installing or using the LED fixture.

- Environment:

The LED fixture is intended to be used in climate-controlled grow rooms and indoor farms.

The product may be used in damp environments but may not be used in wet environments or outdoors

The product will operate in ambient temperatures from -20°C to 35°C but will function at optimal level between 20°C to 30°C.

The product will operate in 20% - 90% humidity, non-condensing.

- Do not open or disassemble the LED fixture as it contains no serviceable parts inside. Opening or modifying the LED fixture can be dangerous and will void the warranty.
- Do not use the LED fixture when either the LED fixture or its power cable are damaged. Replace the power cable with correctly rated cable only.
- Modifications to the cables can lead to unwanted electromagnetic effects which may make the product not comply with legal requirements.

- Do not expose the LED fixture to:
  - Condensing humidity, heavy mist or direct spray;
  - Ambient temperatures outside the specified range;
  - Dust and contamination;
  - Direct sunlight during use or HID light that may heat up the driver.
- Always disconnect the LED fixture from mains before performing any maintenance.
- Always allow for a cool down period of at least 20-30 minutes before touching the LED light bars.
  - Touching the LED bars when the fixture is lit or immediately after may result in burns!
- Do not use abrasive materials or aggressive cleaning agents to clean the LED fixture as this may damage the secondary optics.
  - Instead use a clean dry fabric/cloth.
- Do not use sulphur vaporizers or water misters.
- The installation and use of the LED fixture is the responsibility of the end user. Incorrect use or installation can lead to failure and damage to the LED fixture. Damage to the LED fixture and electronic circuitry as a result of incorrect installation and use revokes the warranty.

# WARRANTY PROCEDURE

## Contact Solutions Team:

[ [service@mars-hydro.com](mailto:service@mars-hydro.com) ] with the following information readily prepared:

- (1) Your Order information. Including your order number, purchase platform, and order email.
- (2) A detailed description of the issue with pictures and/or videos.
- (3) Photos of all labels on the original box. (if preserved)
- (4) Associated proof of faulty/defective products. Photos and videos will help our team to provide a faster warranty service.

Mars Hydro Solutions Team will be at your service as soon as possible.



**W:** [www.mars-hydro.com](http://www.mars-hydro.com)

**E :** [service@mars-hydro.com](mailto:service@mars-hydro.com)

**T :** 1 626 587 8506(US No.)

**A :** JinTie Industrial Park,  
LongGang District,  
ShenZhen,518100,China