

90-2572

CAUTION

Sharp edges may cause serious injury from cuts. Use care when cutting plenum openings and handling duct work.

NOTICE

- Failure to follow ducting guidelines may negatively impact unit performance.
- Minimize equivalent duct length to maximize unit capacity and efficiency.

TABLE OF CONTENTS

Airflow Delivery Specifications	1
Ducting Sizing and Routing	2
Duct Kit Installation	3
Replacing the Filter	4
Overall Dimensions	4

AIRFLOW DELIVERY SPECIFICATIONS

- Nominal airflow through dehumidifier is 525 cfm.
- Airflow decreases as duct length and bends increase, therefore if the equivalent duct length is too long the dehumidifier will cease to function properly.

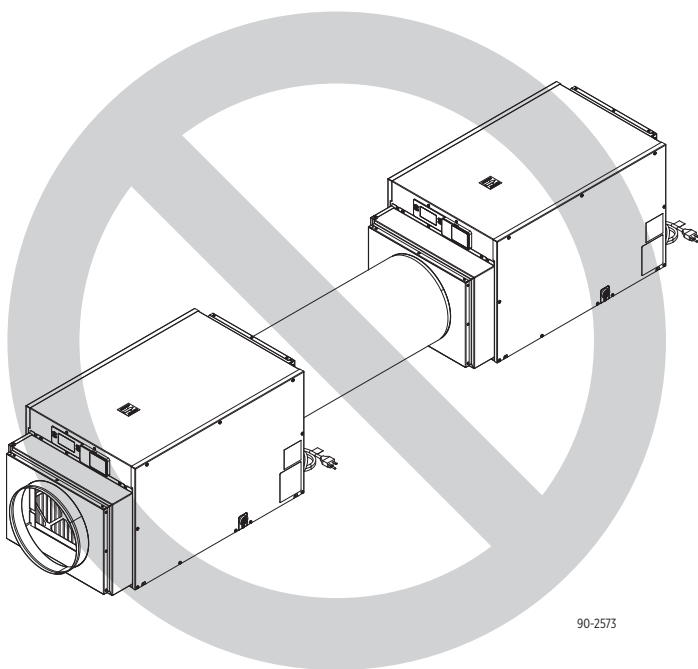
DUCT SIZING AND ROUTING

- Inlet and outlet collars fit 12" round duct.
- Unit performance decreases as airflow decreases, the shortest possible duct lengths with minimal bends should be used.
- Do not exceed 400 feet of metal duct or 300 feet of flex duct.

EQUIVALENT LENGTH OF BENDS	
45° bend	5 feet
90° bend	10 feet
180° bend	30 feet

- Max static pressure is 0.6" w.c.
- Install the dehumidifier in location where filter door, service access panel, compressor side panel, and user interface are accessible, see the **Dehumidifier Installation and Operating Instructions** for more details.
- Do not install a bend in the ductwork within 2 feet of the dehumidifier inlet or outlet.
- When selecting duct material, it is preferred to use metal ducting to maintain airflow. If flex duct is to be used, ensure it is extended out as much as possible to limit disruptions to the airflow. **NOTE:** Use only insulated ducting when the inlet side of the duct work is located outside of the conditioned space. In some instances when the dehumidifier is placed outside of the conditioned space, the cabinet of the dehumidifier may also need to be insulated to prevent condensation formation on the exterior of the unit.
- Do not duct more than one dehumidifier together.

- If using registers and diffusers, the total open area must be at least 113 in², which is the equivalent area to a 12 inch round.
- When locating registers and diffusers be aware of the following;
 - Relative to plants – do not directly vent onto plants.
 - Relative to other dehumidifier inlets/outlets – must be a minimum 10 feet apart and do not direct toward one another.
 - Relative to HVAC diffusers – ensure minimum 10 foot distance from other HVAC diffusers.
- Ensure that the ductwork is supported within 2 feet of inlet and outlet of the dehumidifier. Consult building codes and standards for duct support requirements beyond 2 feet of the dehumidifier.

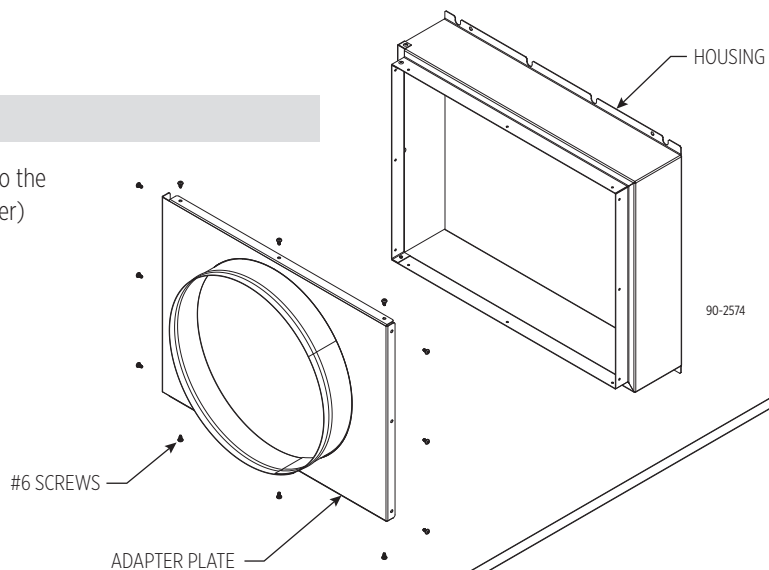


90-2573

DUCT KIT INSTALLATION

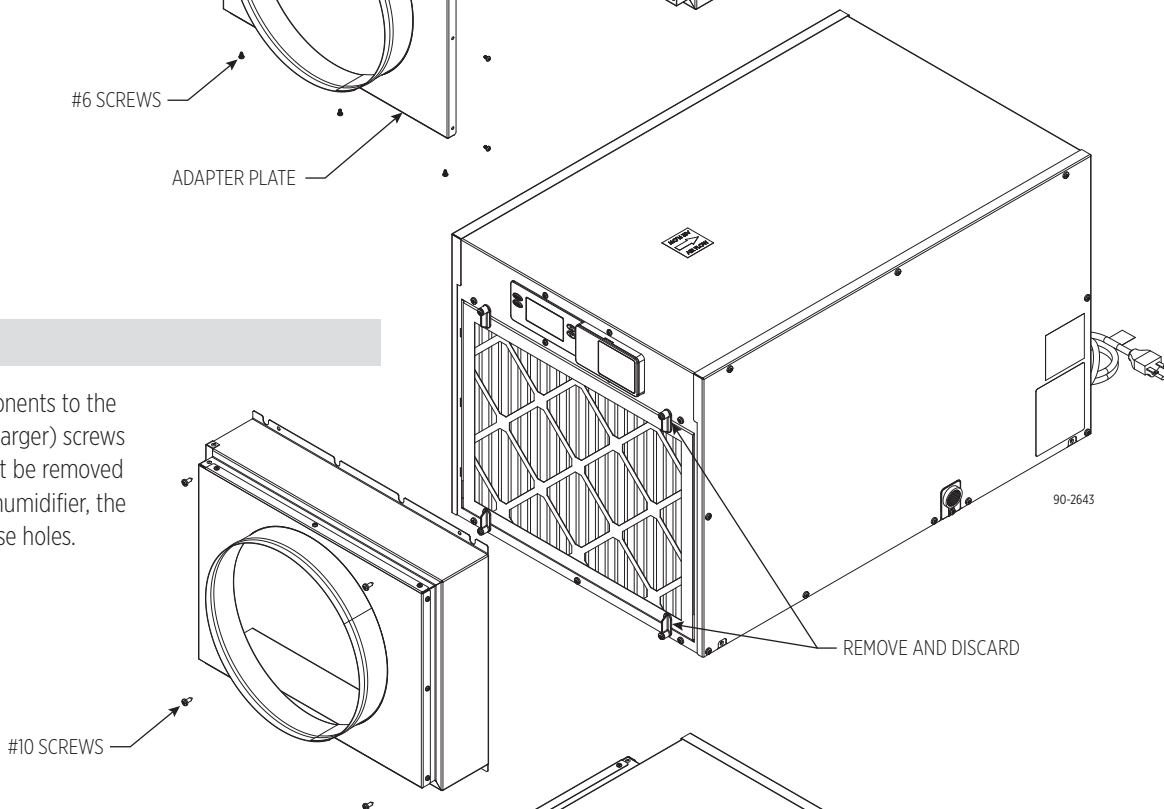
STEP 1

Install the round adapter plates onto the inlet and outlet using the #6 (smaller) screws provided.



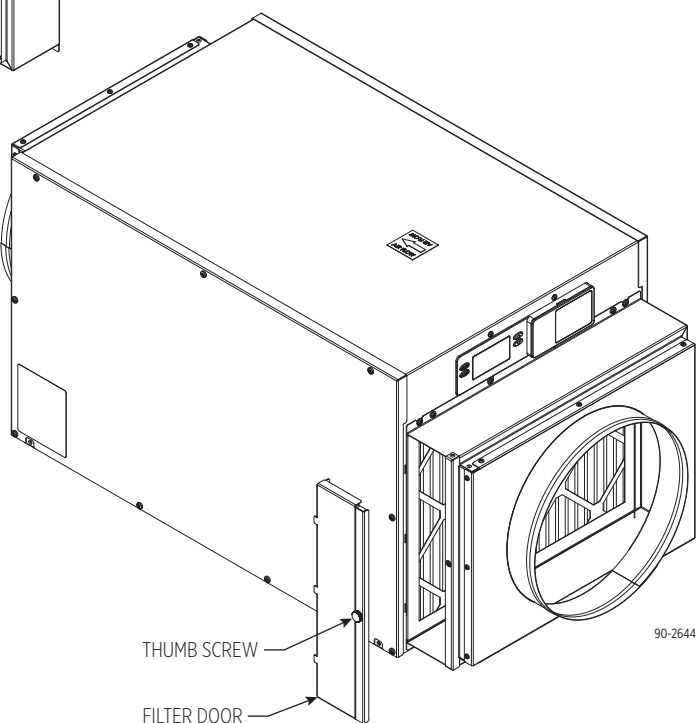
STEP 2

Attach the assembled components to the dehumidifier using the #10 (larger) screws provided. The filter clips must be removed from the inlet side of the dehumidifier, the duct kit will attach using those holes.



STEP 3

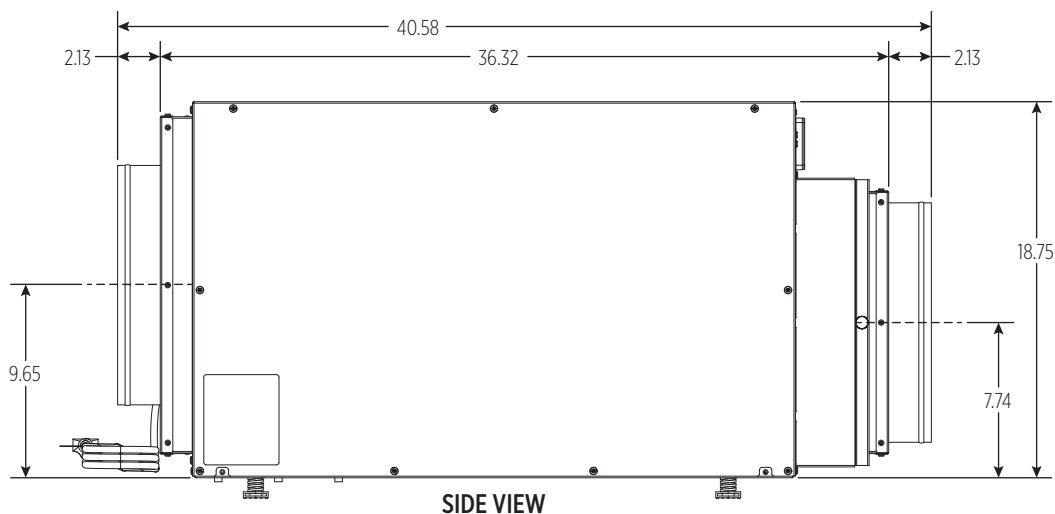
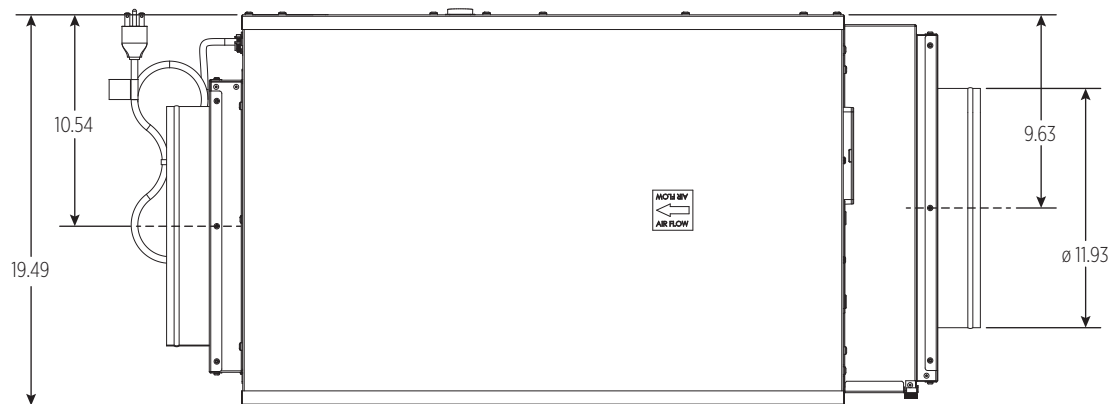
Install the filter access door and secure with the thumb screw.



REPLACING THE FILTER

1. Loosen the thumb screw and remove the filter access door.
2. Pull the filter away from the unit, then out through the access opening.
3. Install the new filter in the same direction.
4. Reinstall the filter access door and tighten the thumb screw.

OVERALL DIMENSIONS (INCHES)



90-2645