

## SAFETY INSTRUCTIONS

### ⚠ WARNING

1. High voltage may cause serious injury from electric shock. Disconnect electrical power before starting installation or servicing. Leave power disconnected until installation/service is completed.
2. Sharp edges may cause serious injury from cuts. Use care when cutting plenum openings and handling duct work.
3. Dropping may cause personal injury or equipment damage. Handle with care and follow installation instructions.

### ⚠ CAUTION

1. Read all instructions before beginning installation.
2. This appliance is not intended for use by persons (including children) with reduced physical, sensory or mental capabilities, or lack of experience and knowledge, unless they have been given supervision or instruction concerning use of the appliance by a person responsible for their safety. Children should be supervised to ensure that they do not play with the appliance.
3. Do not use in pool applications. Pool chemicals can damage the dehumidifier.
4. Do not use solvents or cleaners on or near the circuit board. Chemicals can damage circuit board components.
5. Wait 24 hours before running the unit if it was not shipped or stored in the upright position
6. If the supply cord is damaged, it must be replaced by the manufacturer, its service agent or similarly qualified persons in order to avoid a hazard.

**READ AND SAVE THESE INSTRUCTIONS**

# TABLE OF CONTENTS

<b>SAFETY INSTRUCTIONS</b> .....	1
<b>SPECIFICATIONS</b> .....	3
<b>UNPACKING THE DEHUMIDIFIER</b> .....	4
<b>LOCATION CONSIDERATIONS</b> .....	4
<b>FLOOR MOUNTING</b> .....	5
<b>SUSPENDING THE DEHUMIDIFIER</b> .....	6
Install Brackets for Suspending Unit .....	6
Hanging the Dehumidifier .....	6
Ducting .....	6
<b>DRAIN INSTALLATION</b> .....	7
Condensate Pan, Condensate Pump and Float Switch .....	7
<b>HARD WIRING – LINE VOLTAGE</b> .....	8
<b>START UP AND SEQUENCE OF OPERATION</b> .....	9
Using the Dehumidifier Control .....	9
Using Model A77 Control .....	9
<b>SYSTEM SET UP &amp; CHECKOUT</b> .....	10
Installer Test Mode .....	10
<b>WIRING AND SET-UP</b> .....	11
Model A77 Control .....	11
Alternative External Control .....	12
<b>DAISY CHAIN WIRING</b> .....	13
Model A77 Control as Driving Control .....	13
Alternative External Dry Contact Control as Driving Control .....	14
<b>CODES</b> .....	15
<b>TROUBLESHOOTING</b> .....	16
Table 1 – Diagnostic Codes .....	16
Table 2 – Troubleshooting Guide .....	17
<b>SERVICE PARTS</b> .....	18
<b>LIMITED WARRANTY</b> .....	19

# SPECIFICATIONS

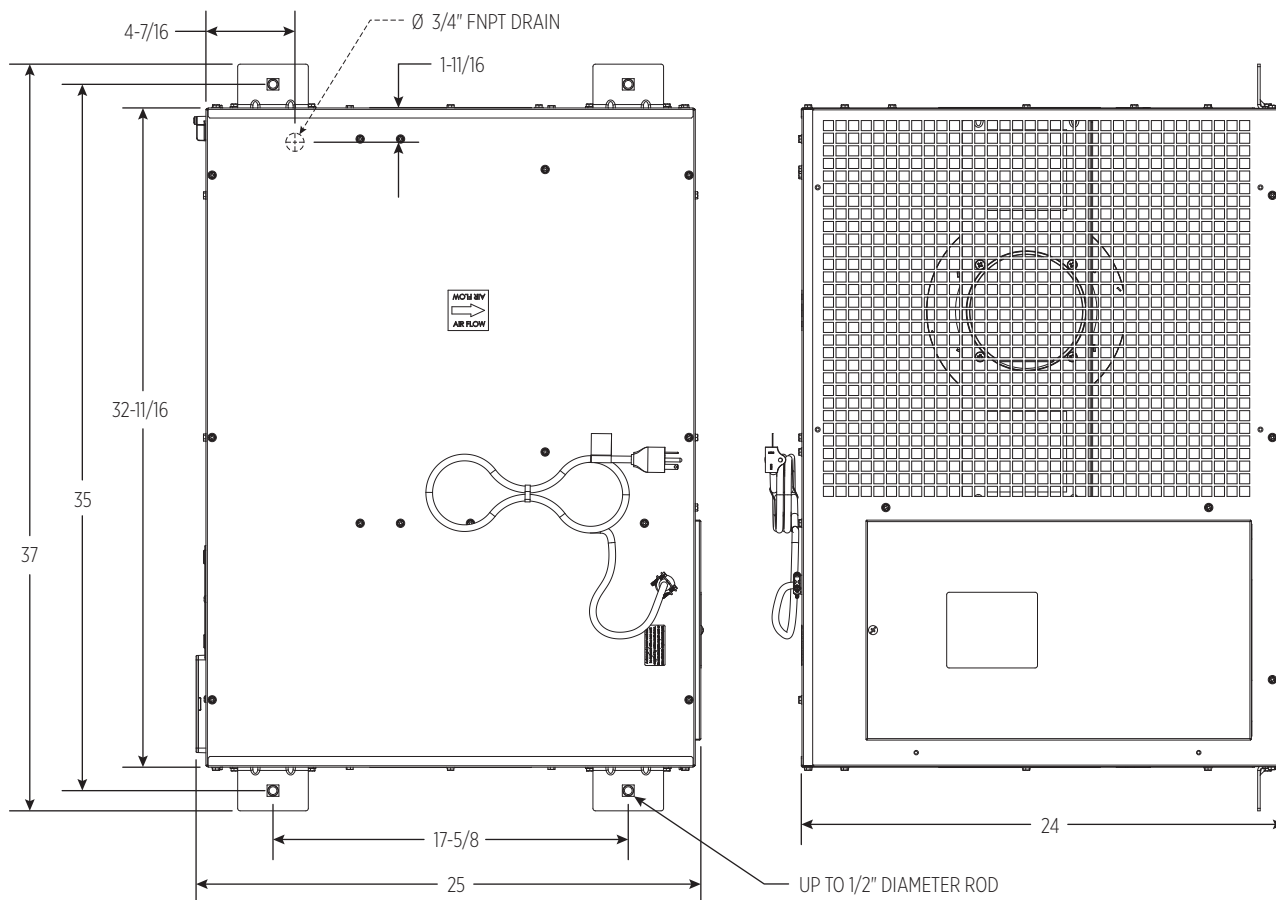
ENVIRONMENTAL	
Operating Temperature Range	50°F – 104°F
Operating Dew Point Lower Limit	40°F

MECHANICAL	
Weight	180 lbs (without packaging)
Drain Size	3/4" FNPT
Capacity	320 PPD @ 80°F, 60% RH
Filter	MERV 11
Airflow	830 CFM (free flow)

ELECTRICAL	A320V1	A320V3
Voltage	208-240 VAC (-), 1ø, 60 HZ	277 VAC (-), 1ø, 60 HZ
Operating Current	11.1A @ 80°F, 60% RH	9.1A @ 80°F, 60% RH
Efficiency	2.9 L/kW-hr (6.0 pints/kW-hr) @ 80°F, 60% RH	2.6 L/kW-hr (5.5 pints/kW-hr) @ 80°F, 60% RH

## DIMENSIONS

FIGURE 1 – DIMENSIONS (INCHES)



90-2433

## UNPACKING THE DEHUMIDIFIER

Use the cut line on the carton to pull carton off dehumidifier.

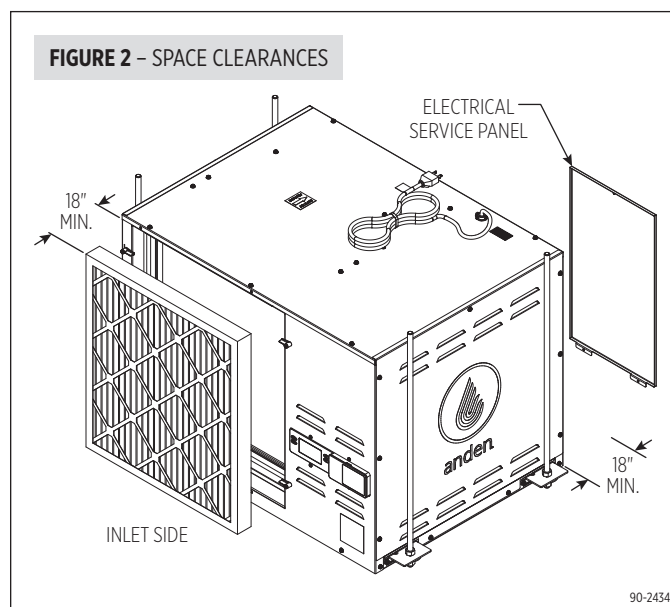
### INCLUDED IN THE CARTON

- Dehumidifier
- Installation manual
- Hanging brackets
- Model A77 control
- 3/4" P-Trap
- 3/4" MNPT x 3/4" female pipe
- 3/4" FNPT x 3/4" female pipe
- 3/4" x 3/4" x 3/4" T-fitting
- Terminal screwdriver
- 30 feet of thermostat cable
- MERV 11 filter

## LOCATION CONSIDERATIONS

This appliance is classified as to not be accessible to the general public. The dehumidifiers should be spaced evenly throughout the area to be dehumidified with the following recommendations:

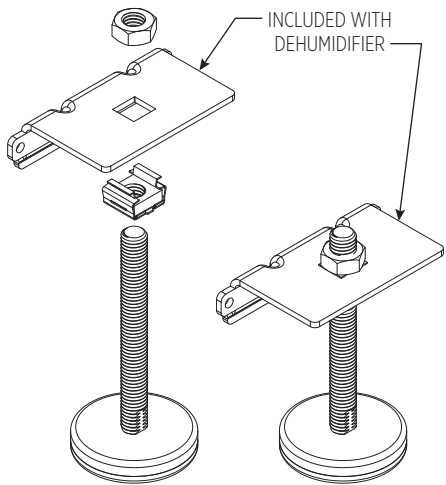
1. Avoid placement where the discharge of one dehumidifier is pointing toward the inlet of another.
2. Avoid locating the dehumidifier inlet too near a supply register. Space is not usually available to totally avoid this, but minimizing the amount of cold air that is discharged to the dehumidifier inlet will improve moisture removal performance of the dehumidifier.
3. Account for handling dehumidifier condensate by considering drain or sump pump locations.
4. Allow sufficient space near the inlet (18" minimum) to be able to remove/install a filter. More space ensures no loss of airflow due to restriction at the inlet.



# FLOOR MOUNTING

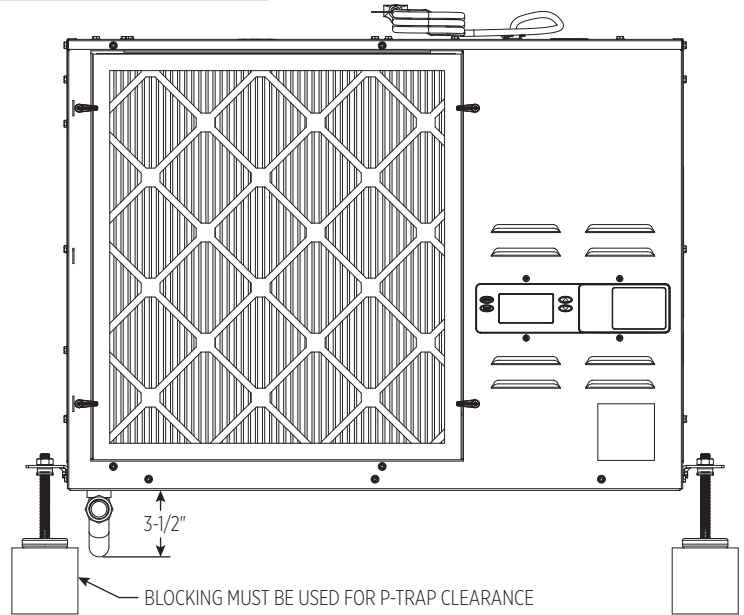
The 5789 leveling feet kit (not included) is required for floor mounting. The drain hose must continuously slope downward toward the drain. Use solid supports as needed to elevate the unit enough to allow for continuous drain slope. Use the adjustable feet to level the unit right to left and front to back so that unit drains properly.

**FIGURE 3 - LEVELING FEET ASSEMBLY**



90-2443

**FIGURE 4 - FLOOR MOUNTING**



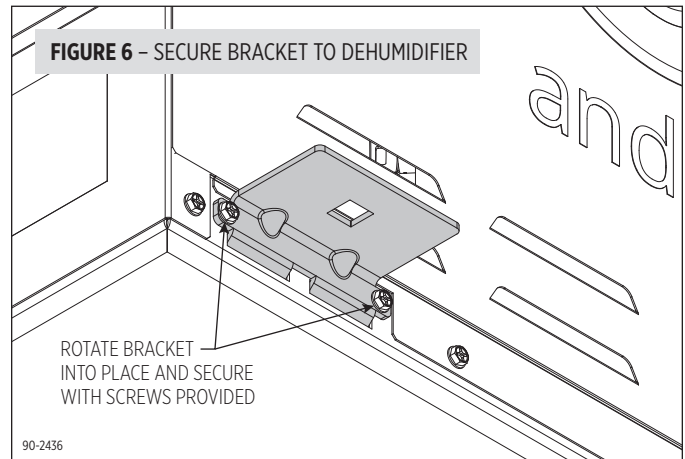
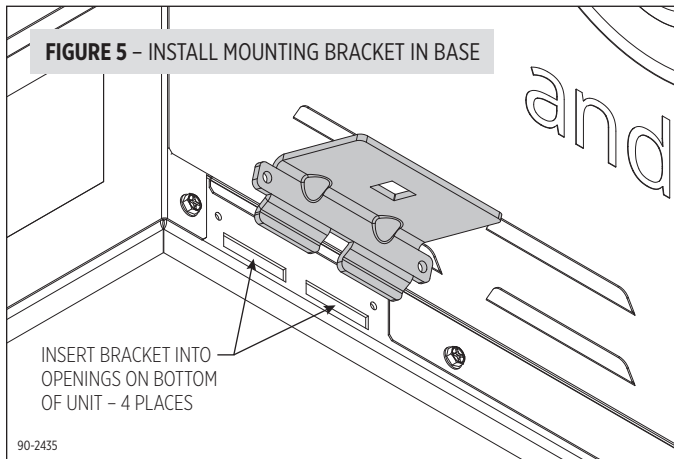
90-2458

# SUSPENDING THE DEHUMIDIFIER

## INSTALL BRACKETS FOR SUSPENDING UNIT

The brackets are designed to accommodate up to 1/2" threaded rod.

1. Insert bracket into slots on the base. See **FIGURE 5**.
2. Rotate the bracket up toward the dehumidifier and secure the bracket to the side of the dehumidifier using #12 sheet metal screws (provided). This can be done with a 5/16" hex socket. See **FIGURE 6**.
3. Repeat for remaining three brackets.

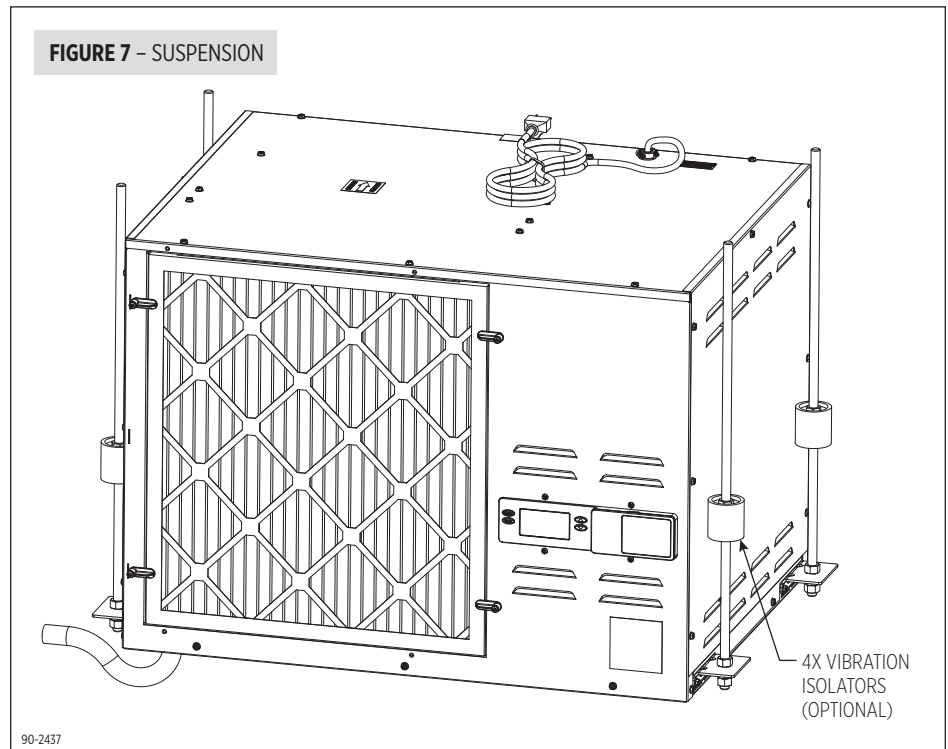


## HANGING THE DEHUMIDIFIER

Use the threaded rod to suspend the unit from appropriate ceiling structure. The unit weight is 180 lbs. Install vibration isolators if located in an area where noise could be a concern. Level unit right to left and front to back so that unit drains properly.

### DUCTING

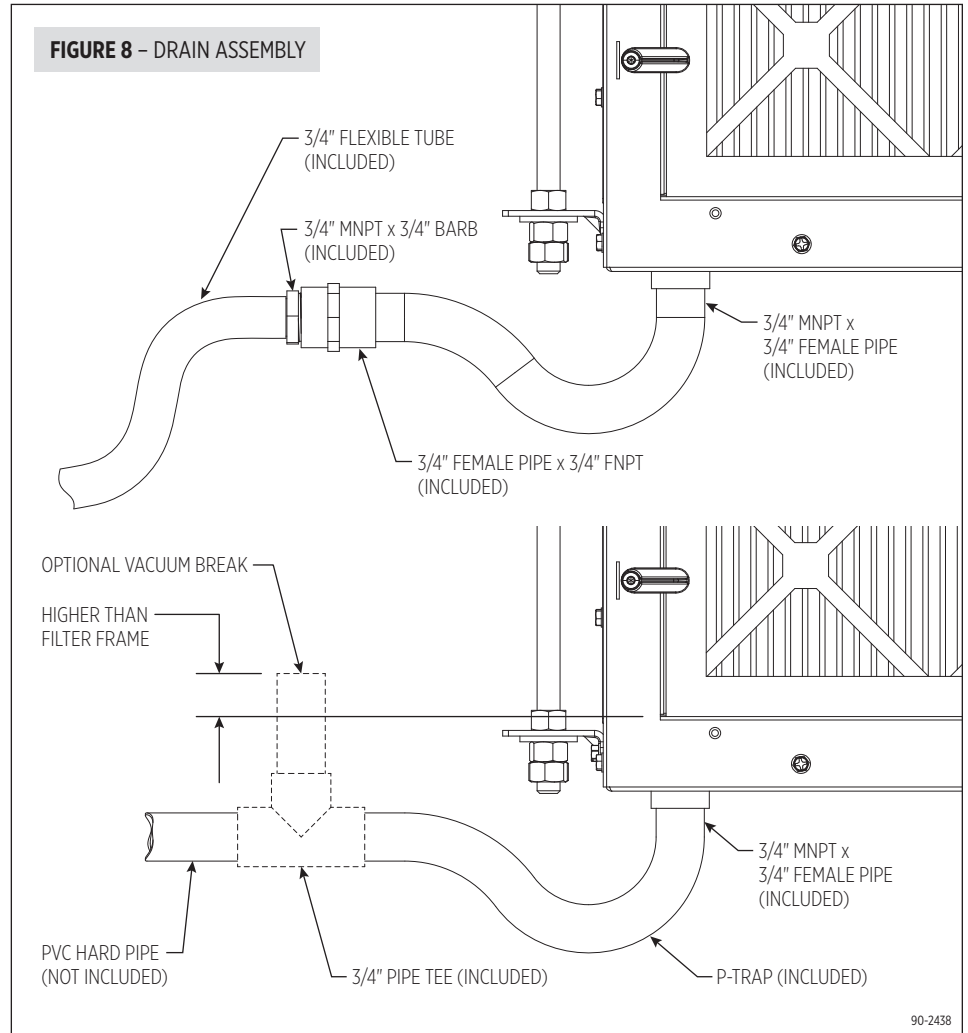
Use duct kit part number 5807 for installing ductwork to the dehumidifier. Reference the instructions provided with duct kit 5807 for installation details.



## DRAIN INSTALLATION

The blower draws air through the dehumidifier, putting the cabinet under negative pressure. As a result, the included P-trap is required for proper draining. The installed drain fitting on the dehumidifier is 3/4" FNPT. Use the included fittings to trap and install the drain. See **FIGURE 8**. The drain tubing can be hard pipe or clear flexible tubing. **NOTE:** PTFE thread seal tape is recommended for the threaded connections and **hand tighten only**. Use PVC primer and cement for all slip fit connections to prevent leaks. After installing the drain connections, trap, and tubing, pour enough water (about 2 pints) into the dehumidifier drain pan to prime the trap.

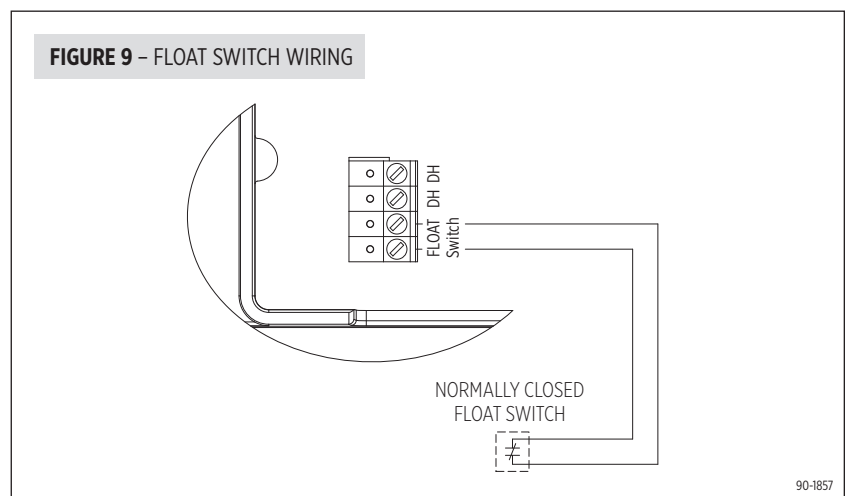
If the drain tubing will be installed to a condensate pump, or if a common drain tube will serve multiple dehumidifiers or air conditioners, a vacuum break is recommended to prevent the p-trap from being unintentionally siphoned. Install a T-fitting with a short section of drain tubing pointed vertically and extending above the start of the filter (see **FIGURE 8**). Install the vacuum break after the P-trap.



## CONDENSATE PAN, CONDENSATE PUMP AND FLOAT SWITCH

A condensate pan is recommended when suspending the dehumidifier over finished areas or product. Adhere to local codes regarding draining of the condensate pan. If a condensate pump is needed, install it in the condensate pan as well.

Install a condensate overflow safety switch (i.e. float switch) in the condensate pan, remove the factory installed jumper wire between the Float Switch terminals on the control and wire the float switch to the dehumidifier as shown in **FIGURE 9**. Overflow safety switches on condensate pumps can be wired to the Float Switch terminals in a similar fashion.



## HARD WIRING – LINE VOLTAGE

### ⚠ CAUTION

If the supply cord is damaged, it must be replaced by the manufacturer, its service agent or similarly qualified persons in order to avoid a hazard.

The A320V1 dehumidifier comes with a power cord that has a NEMA 6-20P plug that can simply be plugged into a corresponding NEMA 6-20R receptacle. The A320V3 dehumidifier comes with a power cord that has a NEMA L7-20P plug that can simply be plugged into a corresponding NEMA L7-20R receptacle. The plug can be removed and replaced by hard-wired electrical service if desired.

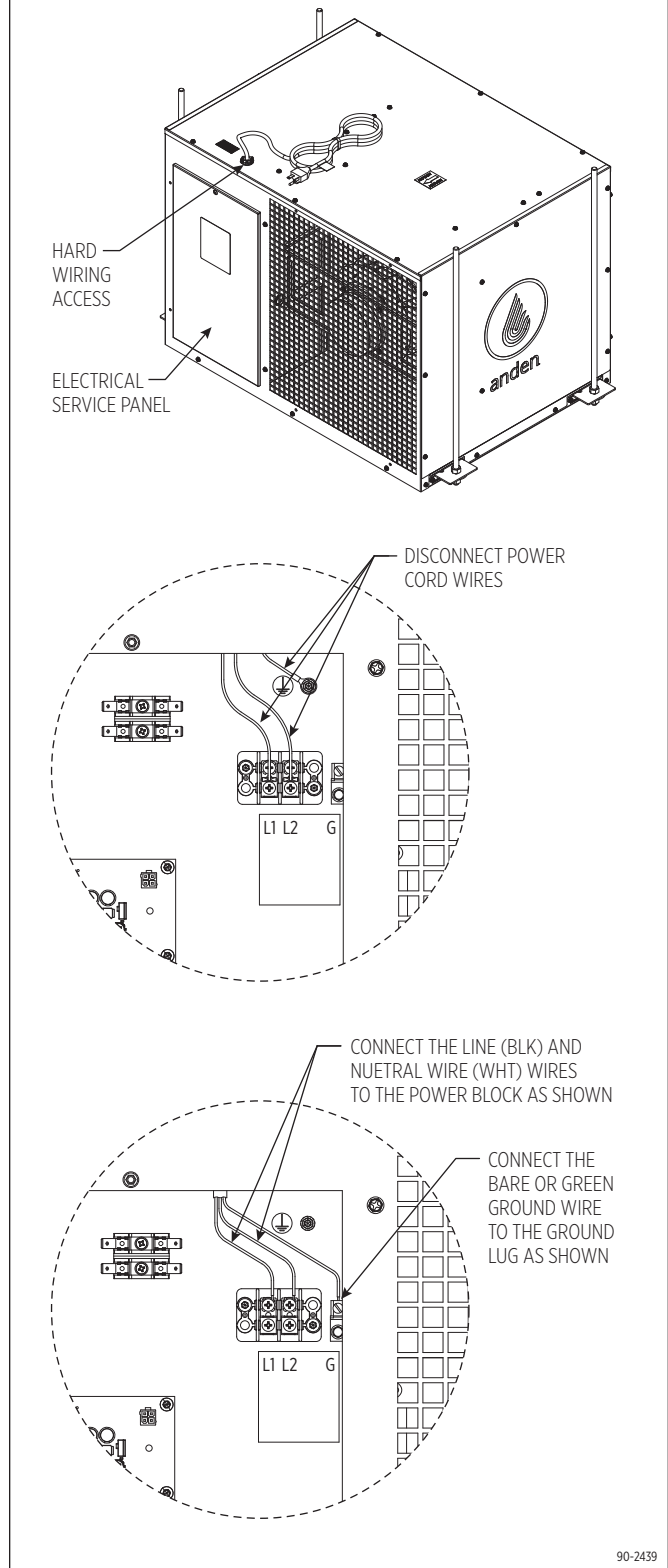
**United States Installation:** Make all electrical connections in accordance with the current edition of the NEC ANSI/NFPA 70 and any local codes or ordinances that may apply.

**Canada Installation:** Make all electrical connections in accordance with the current edition of the Canadian Electrical Code CSA C22.1 and any local codes or ordinances that may apply.

	Model A320V1	Model A320V3
<b>Voltage</b>	208-240 VAC, single phase, 60Hz	277 VAC, single phase, 60Hz
<b>Recommended Breaker Size</b>	20A	20A
<b>Recommended Wire Gauge</b>	12 Gauge, Copper	12 Gauge, Copper
<b>Maximum Fuse or Breaker Size (MOCP)</b>	30A or lower	25A or lower
<b>Minimum Circuit Ampacity (MCA)</b>	21.9A at 208V	18.5A at 277V

1. Disconnect electrical service at the main fuse or circuit breaker.
2. Run electrical service to where the dehumidifier is to be installed following all required local and national codes and standards.
3. Remove the side panel from the dehumidifier.
4. Loosen the terminal screws securing the power cord wires to the terminal blocks and ground lug.
5. Use channellock pliers to remove the strain relief and power cord from the unit. Pinch the side of the strain relief to release it from the opening in the sheet metal and pull it away from the dehumidifier.
6. Route the service wires through the opening in the dehumidifier and secure the cable or conduit to the opening in the dehumidifier using fittings/clamps intended for the conduit/cable used.
7. Insert the black service wire into the L1 terminal and the white service wire into the L2 terminal. Secure the wires into the terminals by tightening the terminal screws.
8. Insert the ground wire (bare or green) of the electrical service into the ground lug and secure it in place by tightening the ground lug screw.
9. Reattach the side panel to the dehumidifier.
10. Restore electrical service at the fuse or circuit breaker.

**FIGURE 10 – HARD WIRING TO REPLACE THE POWER CORD**



90-2439



## START UP AND SEQUENCE OF OPERATION

### USING THE DEHUMIDIFIER CONTROL

1. Press the ON/OFF button to turn the dehumidifier control ON. The display will show the current setting, and the dehumidifier blower will turn on to start sampling the air.  
The setting will be replaced by the measured humidity and "AIR SAMPLING" will show on the display.
2. Use the UP or DOWN button to adjust the humidity setting as desired.
3. After three (3) minutes of sampling, the measured humidity will be compared to the setting:
  - a. If the humidity is above the setting, the dehumidifier compressor turns on and "AIR SAMPLING" will be replaced by "DEHUMIDIFYING". The compressor remains on until the measured humidity falls 3% RH below the setting.
  - b. If the measured humidity is below the setting, the blowers turn off and the display returns to showing the RH setting.
4. The dehumidifier will sample again after the number of minutes selected during the Air Sampling portion of the **SYSTEM SET UP** (see page 10), or any time the humidity setting is lowered.

### USING THE MODEL A77 CONTROL

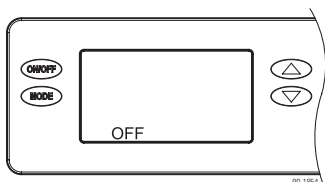
1. Press the ON/OFF button to turn the dehumidifier control ON. "REMOTE" will show on the display to indicate that an external control is wired to the dehumidifier.
2. At the Model A77, press the ON button; the Model A77 will display the measured RH.
3. Use the UP or DOWN button on the Model A77 to adjust the humidity setting as desired.
4. If the RH measured by the Model A77 rises above the setting, the dehumidifier will turn on. "DEHUMIDIFYING" will appear on the dehumidifier control display to show that the Model A77 is calling for dehumidification. The dehumidifier will turn off when the RH measured by the Model A77 drops 3% RH below the setting.

## SYSTEM SET-UP & CHECKOUT

Skip set up and proceed to **INSTALLER TEST MODE** on page 10 unless:

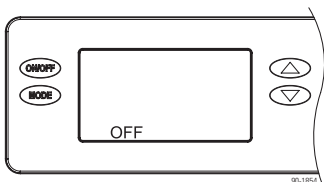
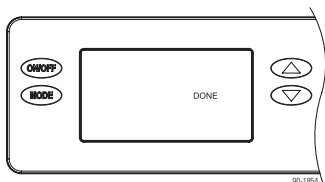
- A Model A77 or other external control is to be installed
- changing the air sampling rate

1. Check all wiring.
2. Make sure the wire access cover has been snapped back onto the on-board control.
3. Plug unit in and turn power switch to ON.
4. The on-board control screen should display OFF.

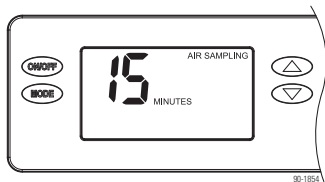


**NOTE:** If the display backlight is not on, the first button press (any button) will only turn on the backlight. Press the button a second time to achieve function.

5. Hold the MODE button on the on-board control for 3 seconds to enter the Installer Set-up Menu.
6. Navigate through the following screens to set up the dehumidifier for the installed application.  
Use the UP or DOWN arrows to select items and use MODE to switch to the next set-up option. To exit installer set-up, all options must be scrolled through using the MODE button.
7. After the installer set up options have been completed, DONE will blink for 3 seconds and the control will return to the OFF screen.



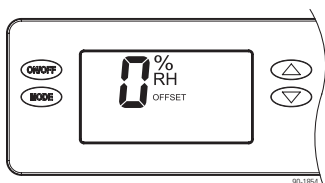
### AIR SAMPLING



Use the UP or DOWN button to adjust how frequently the dehumidifier samples the air to determine whether or not to dehumidify. Fewer minutes means the dehumidifier will sample more

frequently to minimize humidity swings, but increases cost to operate due to more frequent fan operation. Press MODE when done to move to the next screen.

### RH OFFSET

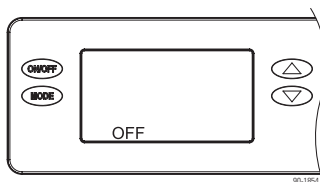


An offset can be applied to the on-board humidity reading to avoid discrepancies with other humidity measuring devices in the home. Use the UP/DOWN arrows to select an offset from -5% to 5%. Press MODE to exit the installer set-up screens.

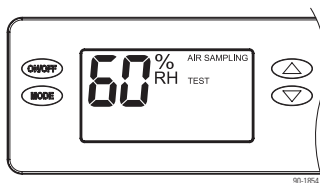
## INSTALLER TEST MODE

If everything is properly wired, the dehumidifier and all of the wired components will turn on and off during Installer Test Mode to demonstrate that all are properly operating. Installer Test Mode lasts for four (4) minutes. If the ON/OFF button is pressed during test mode, the dehumidifier will exit Installer Test Mode and return to the OFF screen.

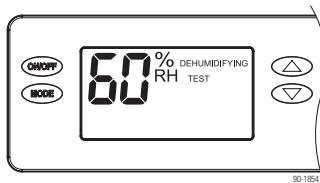
### DEHUMIDIFICATION ONLY



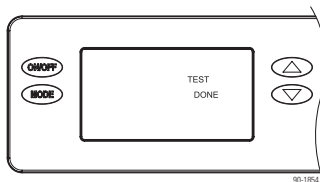
If the dehumidifier is not already OFF, press the ON/OFF button to turn it off.



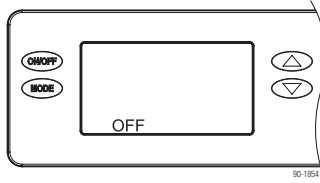
Press and hold the ON/OFF button and MODE buttons for 3 seconds. The measured humidity, AIR SAMPLING and TEST will show on the display.



After three (3) minutes the dehumidifier compressor will turn on and DEHUMIDIFYING will replace AIR SAMPLING on the control screen.



After one minute of compressor operation, all outputs will turn off and DONE will blink for 3 seconds and then return to the OFF screen.



# WIRING AND SET-UP

## MODEL A77 CONTROL

The Model A77 will measure the relative humidity and turn the dehumidifier on and off to control the humidity level to the desired setting. The humidity setting can be adjusted from the control, while the display allows easy access and monitoring of the humidity level in the space. It is recommended that the Model A77 be mounted at/near canopy height. Shield the Model A77 from direct exposure to HPS or LPS lighting.

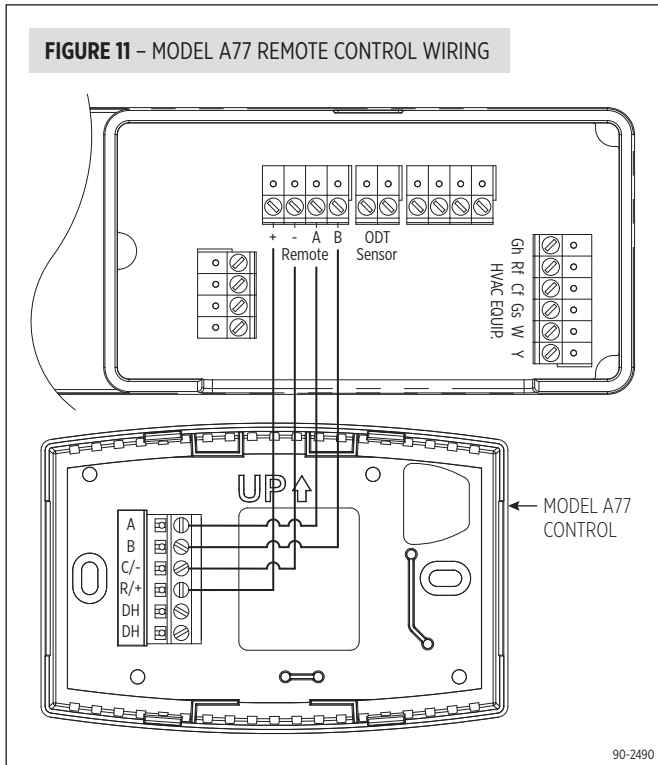
**NOTE:** Use 18-22 AWG wire for control wiring.

Humidity can be controlled using the internal dehumidifier control, a Model A77 control, or a different external control like a thermostat.

Installing an external control eliminates the need to run the dehumidifier blower for sampling, as the control is constantly measuring the humidity close to the canopy. When the humidity level rises above the setting, the dehumidifier is turned on.

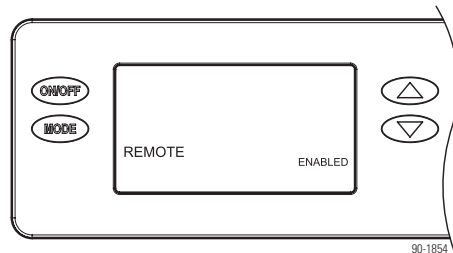
### TO INSTALL AND USE THE MODEL A77 CONTROL, COMPLETE ALL STEPS:

1. Unplug the dehumidifier or turn off power to the circuit at the breaker or fuse.
2. Run thermostat cable (use 18-22 AWG wire) from the Model A77 to the control of the dehumidifier.
3. Trim about 1/4" of insulation from the end of the wires on each end. Insert the wire into the terminals as shown in **FIGURE 11**.
4. Restore dehumidifier power.



### TO SET THE DEHUMIDIFIER TO USE THE MODEL A77 CONTROL, COMPLETE ALL STEPS:

1. With power to the dehumidifier, use the ON/OFF button to set the dehumidifier to the OFF position.  
**NOTE:** If the display backlight is not on, the first button press (any button) will only turn the backlight on. Press the button a second time to achieve the desired function.
2. Hold the MODE button on the on-board control for 3 seconds to enter the **Installer Set-up Menu**.
3. The display should now read **REMOTE** on the left and **DISABLED** on the right. Use the UP or DOWN arrow buttons to set this to **ENABLED**.



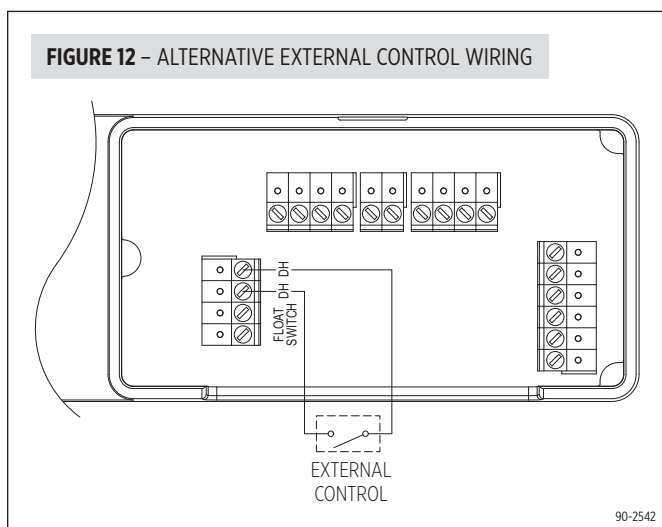
4. Once the display reads **REMOTE ENABLED**, press the MODE button to cycle through the other settings until the display blinks **DONE** for 3 seconds.
5. Use the ON/OFF button to turn the dehumidifier ON. The display on your unit should read **REMOTE**.
6. Locate the Model A77 that you just set up. On the Model A77, press the ON button and use the arrow buttons to set your preferred %RH setpoint. When setting up in **REMOTE** mode for the first time, your dehumidifier will wait 3 minutes before starting to dehumidify, regardless of ambient conditions.

## ALTERNATIVE EXTERNAL CONTROL

Alternatively, use any other humidity control system as long as it has a dry contact, normally open output dedicated to controlling the dehumidifier. Reference the installation literature provided with the alternative control for wiring, set-up, and operating details.

### TO INSTALL AND USE AN ALTERNATIVE EXTERNAL CONTROL, COMPLETE ALL STEPS:

1. Unplug the dehumidifier or turn off power to the circuit at the breaker or fuse.
2. Run thermostat cable (use 18-22 AWG wire) from the alternative external control to the control of the dehumidifier.
3. Trim about 1/4" of insulation from the end of the wires on each end. Insert the wire into the terminals as shown in **FIGURE 12**.
4. Restore dehumidifier power.



### TO SET THE DEHUMIDIFIER TO USE THE ALTERNATIVE CONTROL, COMPLETE ALL STEPS:

1. With power to the dehumidifier, use the ON/OFF button to set the dehumidifier to the OFF position.  
**NOTE:** If the display backlight is not on, the first button press (any button) will only turn the backlight on. Press the button a second time to achieve the desired function.
  2. Hold the MODE button on the on-board control for 3 seconds to enter the **Installer Set-up Menu**.
  3. Press MODE again and the display should change to **EXTERNAL** in the center, and **DISABLED** on the right. Use the UP or DOWN arrow buttons to set this to **ENABLED**.
- 
- 90-1854
4. Once the display reads **EXTERNAL ENABLED**, press the MODE button to cycle through the other settings until the display blinks **DONE** for 3 seconds.
  5. Use the ON/OFF button to turn the dehumidifier ON. The display on your unit should read **EXTERNAL**. Even if there is a demand for dehumidification according to your external control, the dehumidifier will wait 3 minutes before turning on for the **first time only**.

# DAISY CHAIN WIRING

Anden dehumidifiers can be wired in a daisy chain application, allowing one Model A77 or alternate dry contact dehumidistat to control any number of dehumidifiers wired together. Reference the dehumidifier Installation and Operation Manual for detailed set-up and operation.

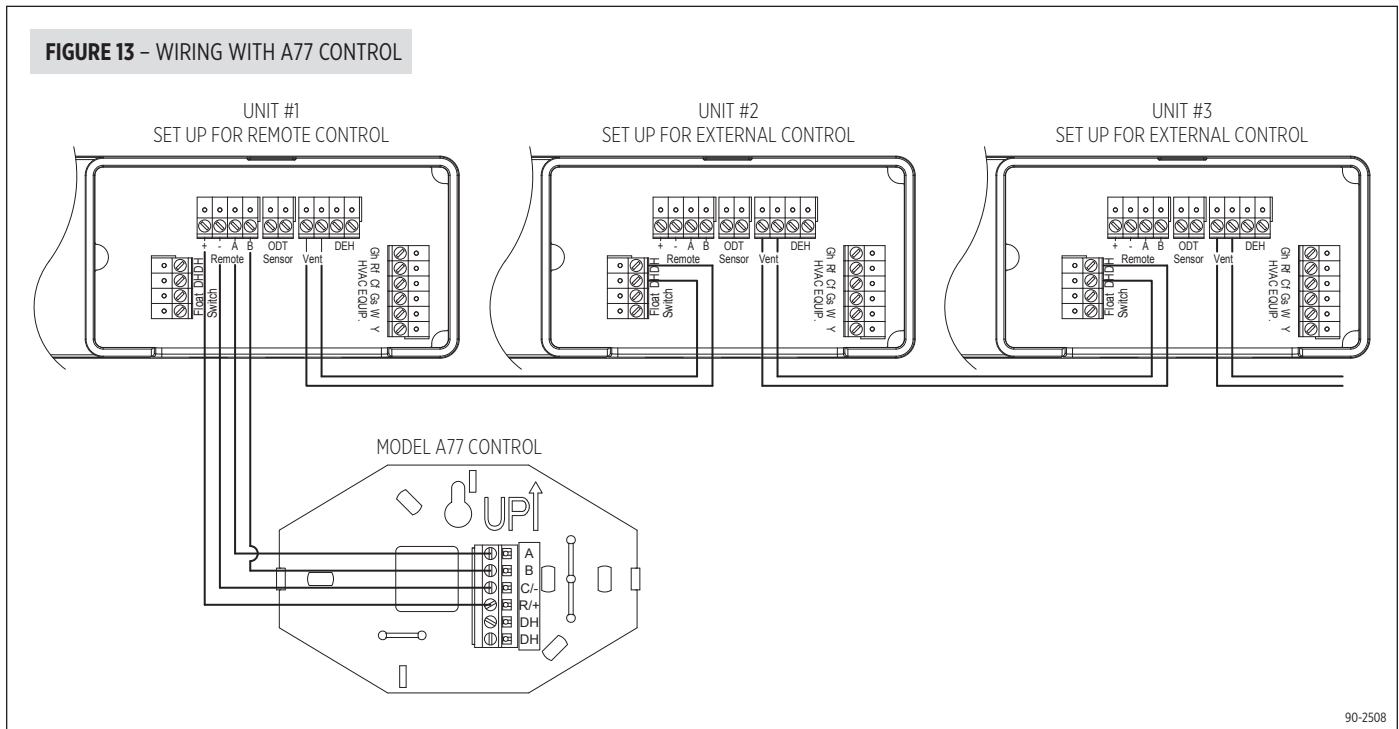
## MODEL A77 AS DRIVING CONTROL

When a Model A77 is used to control the first dehumidifier, Unit #1 must be set to **REMOTE ENABLED** in the set-up menu. All downstream units must be set up to **EXTERNAL ENABLED** in each set-up menu. See pages 11 and 12 for set up details, and wire as shown in **FIGURE 13**.

## SEQUENCE OF OPERATION

Each unit in the daisy chain responds to the first unit being controlled by the A77. When the humidity level rises above the humidity setting, all units will dehumidify until the humidity measured by the A77 falls below the setting.

**IMPORTANT:** If the A77 or first dehumidifier experiences a fault or loses power, all downstream dehumidifiers will also stop function. If any dehumidifier in the daisy chain other than Unit #1 experiences a fault, that unit will stop operation as determined by the fault but all other units will continue operating. If any dehumidifier loses power, all downstream units will stop function.



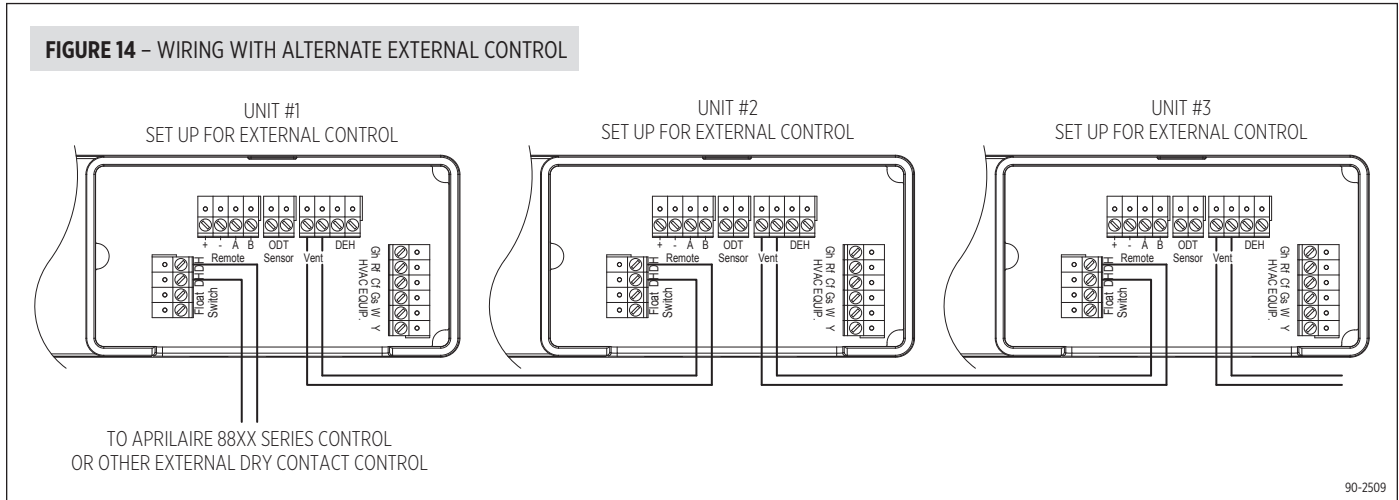
## ALTERNATE EXTERNAL DRY CONTACT CONTROL AS DRIVING CONTROL

When a dry contact control is used to control the first dehumidifier, Unit #1 must be set to **EXTERNAL ENABLED** in the set-up menu. All downstream units must be set up to **EXTERNAL ENABLED** in each set-up menu. See page 12 for set up details and wire as shown in **FIGURE 14**.

### SEQUENCE OF OPERATION

Each unit in the daisy chain responds to the first unit being controlled by the external control. When the humidity level rises above the humidity setting, all units will dehumidify until the humidity measured by the external control falls below the setting.

**IMPORTANT:** If the external control experiences a fault, all downstream dehumidifiers will also stop function. If any dehumidifier experiences a fault, that unit will stop operation as determined by the fault but all other units will continue operating. If any unit loses power, all downstream units will stop function.



90-2509

## CODES (LOCATED ON BACK OF WIRE ACCESS COVER)

See the Installation Instructions for troubleshooting error codes. For additional assistance, Technical Support is available Monday through Friday, 7:00 a.m. to 5:00 p.m. CST, at (800) 972-3710.

**Contact Technical Support before replacing the unit or components and for additional troubleshooting.**

ERROR CODE	FAILURE MODE
E1	Internal %RH/Temperature Sensor Failure
E3	Model A77 Remote Control Communication Loss
E4	Insufficient Capacity
E5	High Temperature Thermistor Failure
E6	Low Temperature Thermistor Failure
E7	Float Switch Open
E8	Inlet Air Temperature Out of Range

# TROUBLESHOOTING

Technical Support is available Monday through Friday, 7:00 a.m. to 5:00 p.m. CST, at (800) 972-3710. Use the guides on the following pages to identify and correct system faults. Contact Technical Support before replacing the unit or any components and for additional troubleshooting.

## DIAGNOSTIC CODES

When an error occurs, the Diagnostic Code along with SERVICE REQUIRED will be displayed on the control screen. If a 71000087 Alert Light is used, the light will turn on when an error occurs.

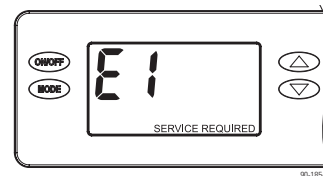


TABLE 1 – DIAGNOSTIC CODES

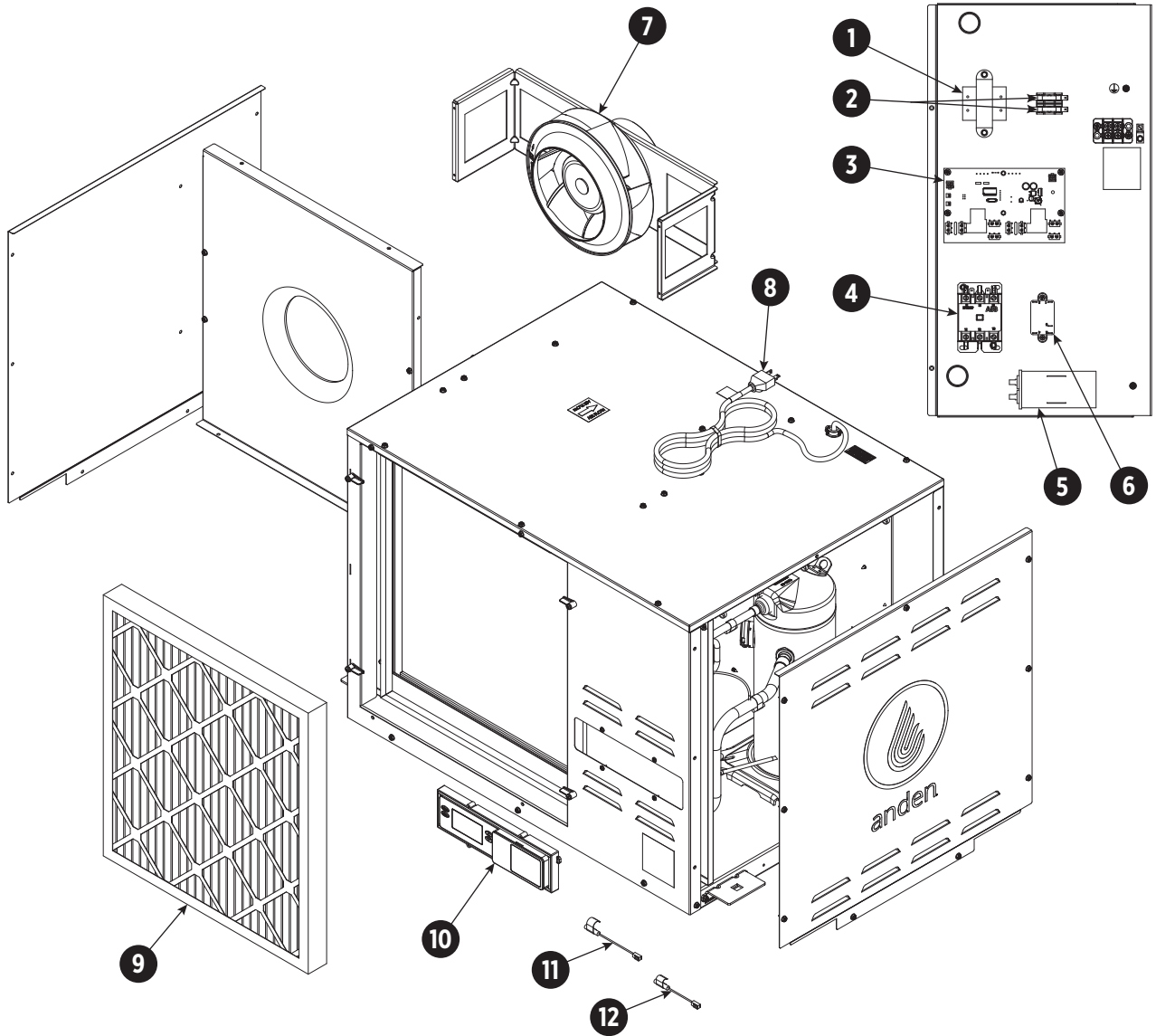
Diagnostic Code	Failure Mode	Action	Reset
E1	Internal Humidity or Temperature Sensor Open or Shorted	<ol style="list-style-type: none"> <li>If connection okay, replace User Interface, Part No. 71000062.</li> </ol>	Cycle Power
E3	Model A77 Remote Control Communication Loss	<ol style="list-style-type: none"> <li>Check connections between Model A77 and dehumidifier control board. Terminals should be fully inserted and secured in the control board and Model A77 control terminals.</li> <li>If connections are correct and secure, turn off the dehumidifier and remove the Model A77. Use a short section of 4-wire cable to reconnect the Model A77 to the control board. Turn the dehumidifier back on and increase the dryness level setting on the Model A77. If the dehumidifier turns on, the problem is with the wiring between the dehumidifier and control.</li> <li>If the dehumidifier does not turn on, call Technical Support.</li> </ol>	Self-Correcting
E4	Insufficient Capacity	<ol style="list-style-type: none"> <li>Check the frost sensor connection at the power board. Terminal should be fully seated on the power board pins.</li> <li>Remove the side access panel and verify that the sensor is secured to the suction line.</li> <li>If the sensor is connected and secured to the refrigeration line proceed to the next step.</li> <li>Reset the fault by cycling power to the dehumidifier.</li> <li>Make sure the dehumidifier is not in <b>EXTERNAL</b> or <b>REMOTE</b> mode. For instruction, see pages 11 and 12 for <b>WIRING AND SET-UP</b>.</li> <li>Turn the humidity setting down (below room/home humidity level) to make a dehumidification call.</li> <li>Allow the fan and compressor to run for approximately 10-15 minutes and then enter diagnostic test mode by simultaneously pressing the UP ARROW and MODE buttons for 3 seconds. (<b>NOTE:</b> This action must be done at the user interface installed on the unit.) The LCD will display the temperature measured by the internal sensor while also displaying AIR SAMPLING and ON, the humidity measured by the internal sensor while also displaying %RH and ON, and the frost sensor temperature while also displaying ON. Scroll through these values and by using the UP/DOWN arrow buttons.</li> <li>Record values and call Technical Support.</li> </ol>	Cycle Power
E5	High Temperature Thermistor Failure	<ol style="list-style-type: none"> <li>Check the high temperature sensor connection at the power board. Terminal should be fully seated on the power board pins.</li> <li>Remove the side access panel and verify the sensor is not damaged and connected to the refrigeration line coming from the compressor.</li> <li>If the sensor is connected and secured to the refrigeration line, it may need to be replaced with Part No. 71000035 – contact Technical Support to confirm.</li> </ol>	Cycle Power
E6	Low Temperature Thermistor Failure	<ol style="list-style-type: none"> <li>Check the low temperature sensor connection at the power board.</li> <li>Remove the side access panel and verify the sensor is not damaged and connected to the suction line.</li> <li>If the sensor is connected and secured to the refrigeration line, it may need to be replaced with Part No. 71000034 – contact Technical Support to confirm.</li> </ol>	Self-Correcting
E7	Float Switch Open	<ol style="list-style-type: none"> <li>Empty the condensate pan.</li> <li>Check the float switch connection at the control board.</li> <li>If not using a float switch, verify jumper is between float switch terminals on dehumidifier control board.</li> <li>If the problem persists, replace the float switch.</li> </ol>	Self-Correcting
E8	Inlet Air Temperature Out of 50°F – 104°F Range or Dew Point Below 40°F	<ol style="list-style-type: none"> <li>Verify all ductwork is properly sealed.</li> <li>If no signs of leak points, contact Technical Support.</li> </ol>	Self-Correcting



**TABLE 2 – TROUBLESHOOTING GUIDE**

Symptom	Possible Reason	Troubleshooting Procedure
Dehumidifier does not turn on/run.	No power to unit.	<ul style="list-style-type: none"> <li>• Check that the dehumidifier is plugged in.</li> <li>• Check that the power switch is turned ON.</li> <li>• Check that the control is turned ON.</li> <li>• Check that the circuit breaker has not tripped.</li> </ul>
Dehumidifier blower is running but with little or no airflow.	Pressure drop across dehumidifier is too high.	<ul style="list-style-type: none"> <li>• Check dehumidifier air filter and replace if necessary.</li> <li>• Check for blocked duct work and clear.</li> </ul>
Dehumidifier blower is running but compressor is not.	Float switch open.	<ul style="list-style-type: none"> <li>• If float switch installed, check connections at control board and empty condensate pan.</li> <li>• If no float switch installed check that the jumper is installed at the float switch terminals on the control board.</li> </ul>
	Coil frosting – defrost.	<ul style="list-style-type: none"> <li>• Lack of or reduced airflow. Check dehumidifier air filter and replace if necessary.</li> <li>• Check for blocked duct work.</li> <li>• Inlet air conditions below 60°F. Increase the humidity setting.</li> </ul>
	Inlet air temperature is outside of the 50°F – 104°F range or the dew point is below 40°F and there is a demand for dehumidification.	<ul style="list-style-type: none"> <li>• Verify all ductwork is properly sealed.</li> </ul>
Dehumidifier is not draining properly.	Drain line blocked or unit not level.	<ul style="list-style-type: none"> <li>• Verify that the unit is level.</li> <li>• Check the drain line blockages and for a continuous downward slope.</li> </ul>
Dehumidifier is producing hot air.	Normal function.	<ul style="list-style-type: none"> <li>• Air is reheated across the condenser coil, resulting in a temperature rise between inlet and outlet, this is normal.</li> </ul>

# SERVICE PARTS



90-2440

No.	Part Description	Part No.
1	Transformer, 40VA, 240V (V1)	71000069
	Transformer, 40VA, 277V (V3)	71000078
2	Fuse, 1A, Slow-Blow	71000070
3	Internal Power PCB	71000026
4	Compressor Contactor	71000061
5	Compressor Run Capacitor (45MFD, 370VAC) (V1)	71000037
	Compressor Run Capacitor (60MFD, 370VAC) (V3)	71000079
6	Fan Relay	71000072
7	Fan Assembly	71000080
8	Cord, SJT 12/3, 6-20P (V1)	71000081
	Cord, SJT 12/3, L7-20P (V3)	71000082
9	Filter, MERV 11	5813

No.	Part Description	Part No.
10	User Interface	71000062
11	Low Temperature Sensor	71000084
12	High Temperature Sensor	71000085
<b>Not Shown</b>		
	Digital Dehumidifier Control	A77
	P-Trap Kit	71000086
	Fitting, 3/4" MNPT x 3/4" BARB, PVC	71000053
	Drain Tubing, 3/4" ID x 10' L	71000063
	Duct Kit	5807
	Leveling Feet	5789
	Alert Light	71000087
	Hanging Bracket Kit	71000088

## LIMITED WARRANTY

Your Research Products Corporation Anden™ Dehumidifier is expressly warranted for five (5) years from date of installation to be free from defects in materials or workmanship.

Research Products Corporation's exclusive obligation under this warranty shall be to supply, without charge, a replacement for any component which is found to be defective within such five (5) year period and which is returned not later than thirty (30) days after said five (5) year period by you to either your original supplier or to Research Products Corporation, Madison, Wisconsin 53701, together with the model number and installation date of the dehumidifier.

THIS WARRANTY SHALL NOT OBLIGATE RESEARCH PRODUCTS CORPORATION FOR ANY LABOR COSTS AND SHALL NOT APPLY TO DEFECTS IN WORKMANSHIP OR MATERIALS FURNISHED BY YOUR INSTALLER AS CONTRASTED TO DEFECTS IN THE DEHUMIDIFIER ITSELF.

IMPLIED WARRANTIES OF MERCHANTABILITY OR FITNESS FOR A PARTICULAR PURPOSE SHALL BE LIMITED IN DURATION TO THE AFORESAID FIVE YEAR PERIOD. RESEARCH PRODUCTS CORPORATION'S LIABILITY FOR INCIDENTAL OR CONSEQUENTIAL DAMAGES, OTHER THAN DAMAGES FOR PERSONAL INJURIES, RESULTING FROM ANY BREACH OF THE AFORESAID IMPLIED WARRANTIES OR THE ABOVE LIMITED WARRANTY IS EXPRESSLY EXCLUDED. THIS LIMITED WARRANTY IS VOID IF DEFECT(S) RESULT FROM FAILURE TO HAVE THIS UNIT INSTALLED BY A QUALIFIED HEATING AND AIR CONDITIONING CONTRACTOR. IF THE LIMITED WARRANTY IS VOID DUE TO FAILURE TO USE A QUALIFIED CONTRACTOR, ALL DISCLAIMERS OF IMPLIED WARRANTIES SHALL BE EFFECTIVE UPON INSTALLATION.

Some states do not allow limitations on how long an implied warranty lasts or the exclusion or limitation of incidental or consequential damages so the above exclusion or limitations may not apply to you.

This warranty gives you specific legal rights and you may also have other rights which vary from state to state.

### WARRANTY REGISTRATION

---

Visit us online at [anden.com](http://anden.com) to register your Anden product. If you do not have online access, please mail a postcard with your name, address, phone number, email address, product purchased, model number, date of purchase, and dealer name and address to: Research Products Corporation, P.O. Box 1467, Madison, WI 53701.

**Your warranty registration information will not be sold or shared outside of this company.**

**anden.com**  
P.O. Box 1467  
Madison, WI 53701-1467  
800.972.3710 F: 608.257.4357  
Printed in USA. ©2021 Anden.

