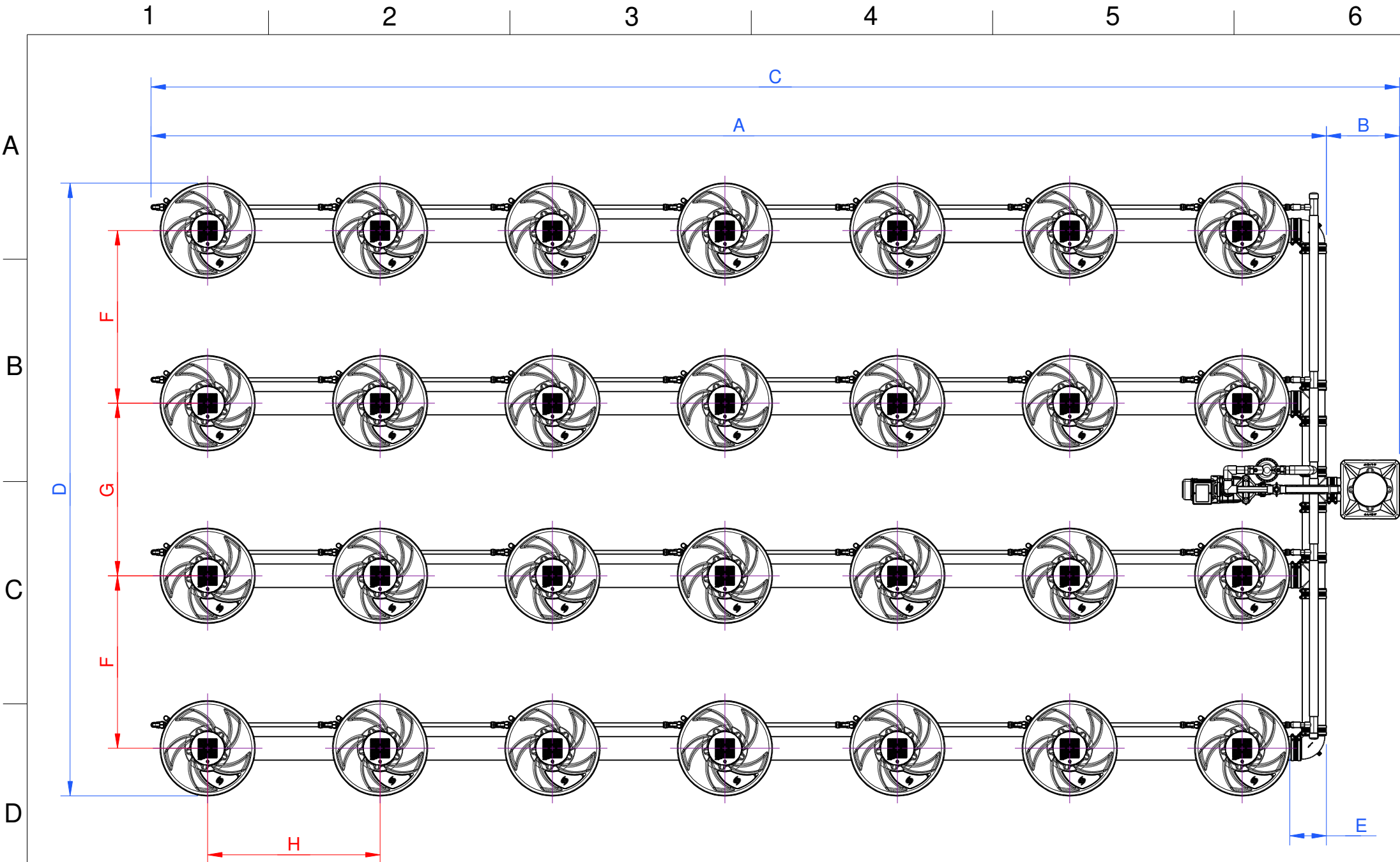
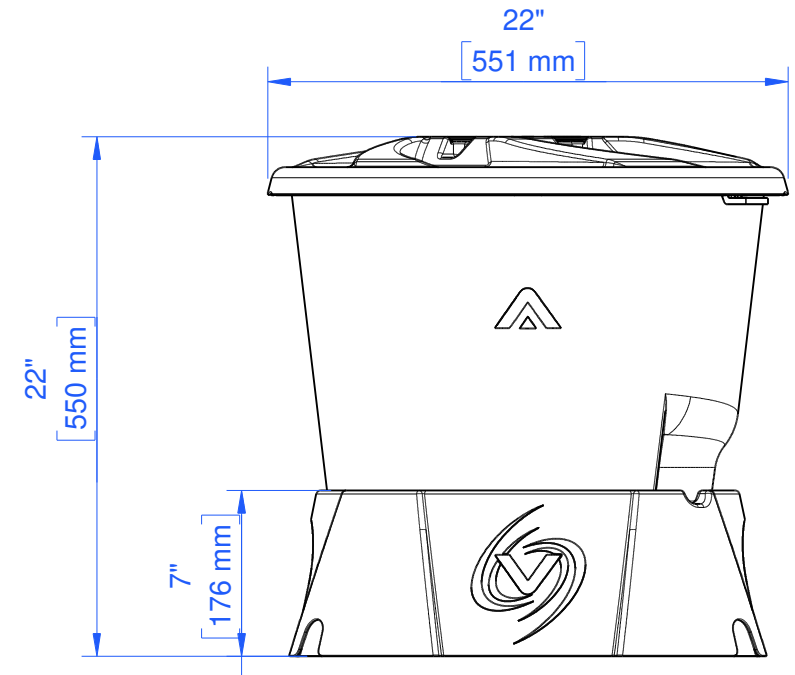
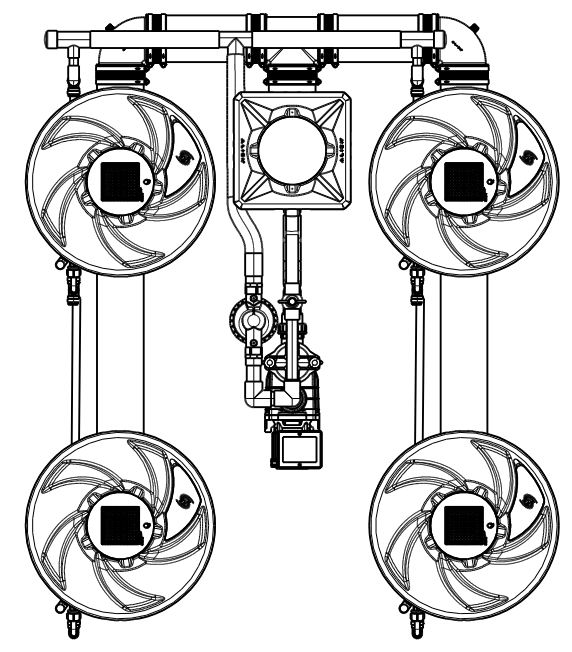


Rev	Date
A	22 / 05 / 2023



**Inverted Header:**  
 The header can be located inside the footprint as shown.  
 This option reduces overall length of system to dimension "A"  
 (please refer to dimensions table).



Dimensions	Minimum	Maximum @ 40" / 1m Plant Centers*
A	168" (4270mm)	269" (6820mm)
B	17" (420mm)	42" (1070mm)
C	185" (4690mm)	311" (7890mm)
D	91" (2300mm)	140" (3550mm)
E	8" (210mm)	8" (210mm)
F	22" (560mm)	40" (1000mm)
G	26" (650mm)	40" (1000mm)
H	23" (580mm)	40" (1000mm)

**\* Note:**  
 Plant centers greater than 40" / 1m are possible with custom order lengths of 5" tubing, please contact sales@alienhydro.com for more details.

	Project: V-SYSTEM	Scale 1 : 28
	Title: <b>4 Row 28 Pot</b>	
	Drawing Number: <b>V-4.28_US</b>	Sheet 1 of 1