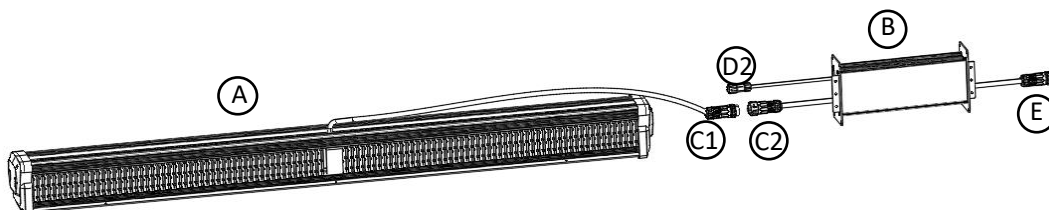


PARTS LIST

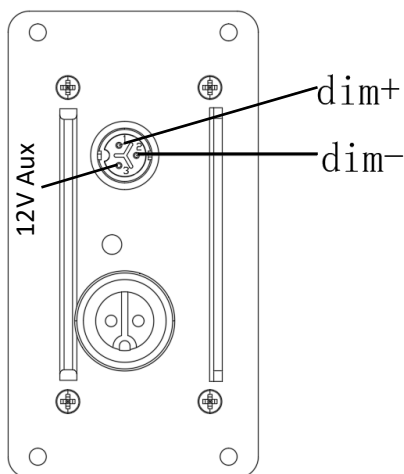
- A: Light Fixture
- B: Driver Unit
- C1, C2: DC Power Cord Connectors Between Driver Unit and Light Fixture
- D2: Dimming/Data Connector
- E: AC Power Cord

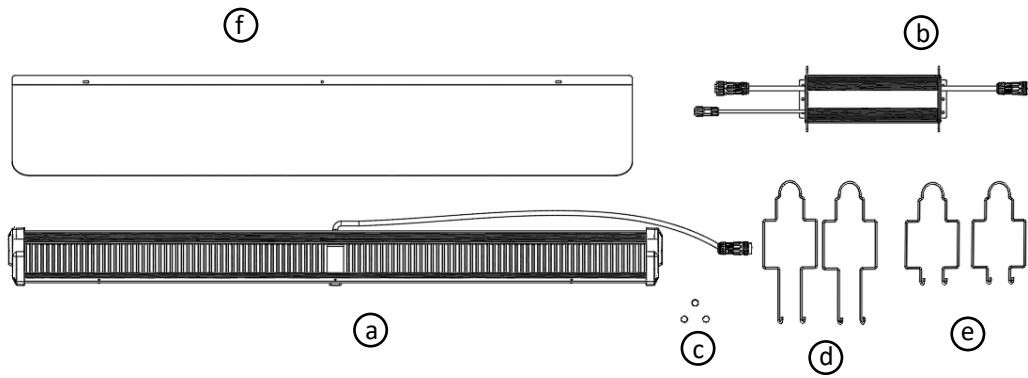


GETTING STARTED

Unpack box(es) and carefully remove contents and ensure your grow light fixture includes the following:

- a. (1x) LED Grow Light Fixture
- b. (1x) Driver Unit
- c. (1x) DC Power Cord
- d. (2x) Light Fixture Mounting Brackets
- e. (2x) Driver Mounting Brackets
- f. (1x) either AC Power Cord with plug or bare wire ends, or AC Linking Cords (may be externally packaged)
- g. May include M12 Dimming/Data Cord
- h. May include (1x or 2x) Side Reflectors with (3x or 6x) mounting screws

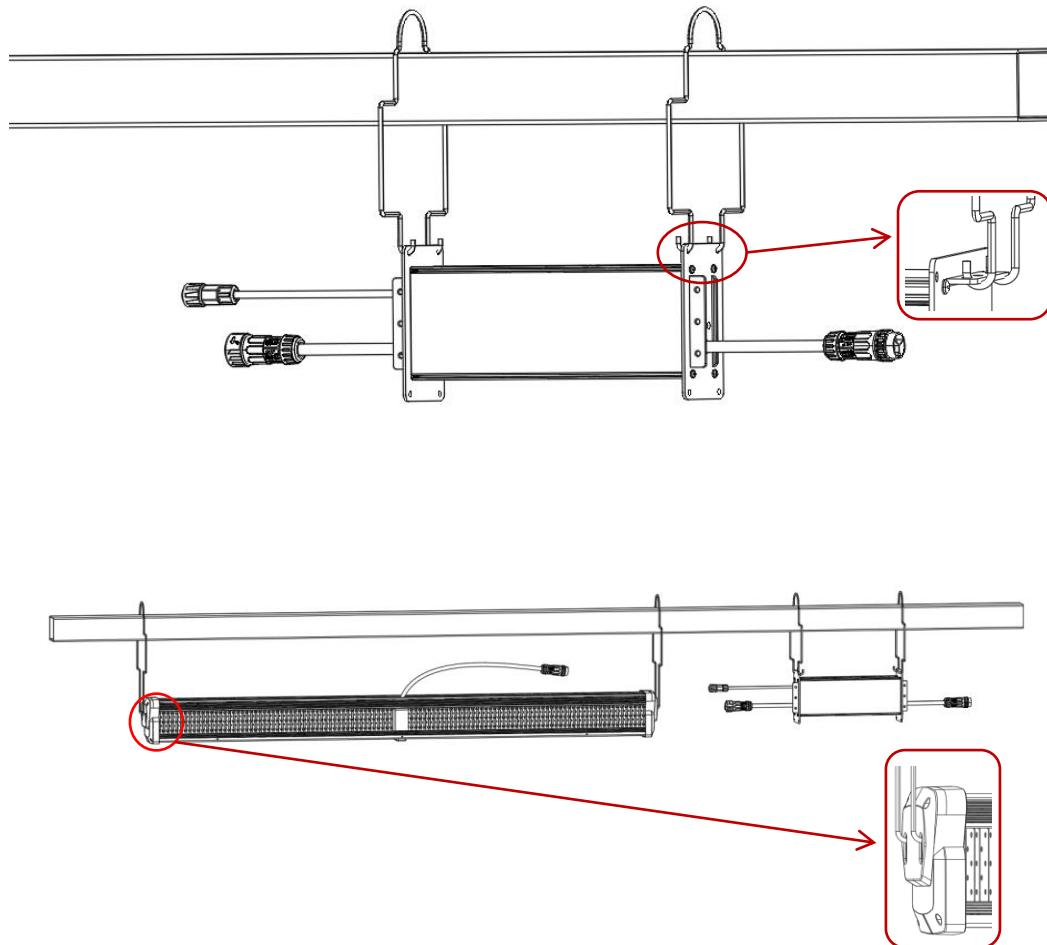




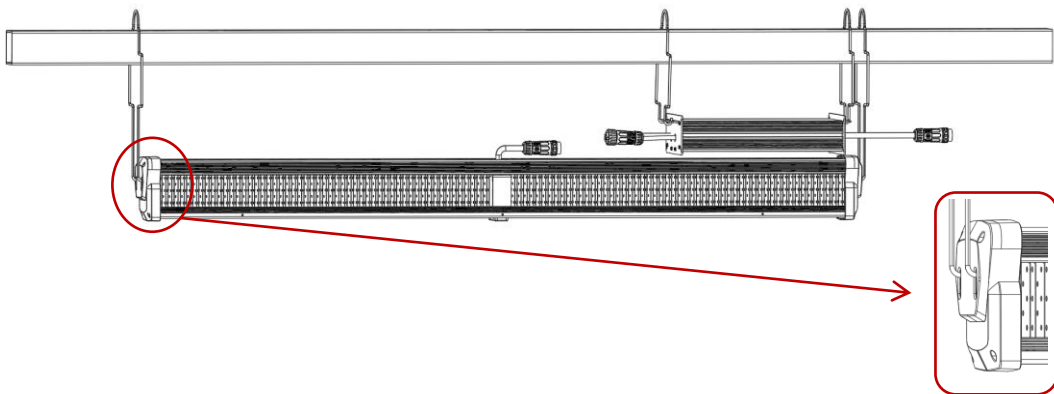
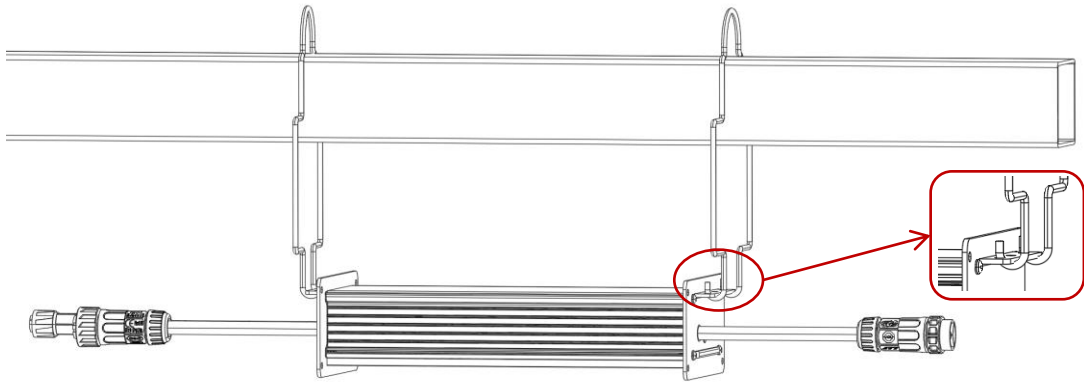
MOUNTING

1. According to installation position of driver, pass the hooks through the endcaps of light fixture and that of driver respectively, as shown below.

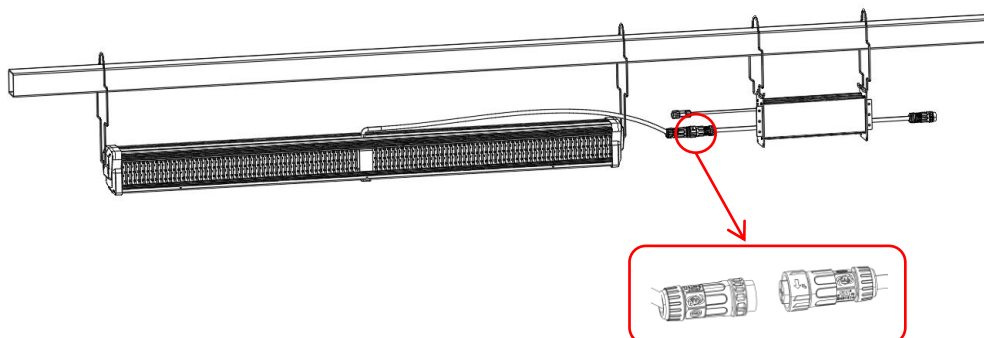
Mounting 1

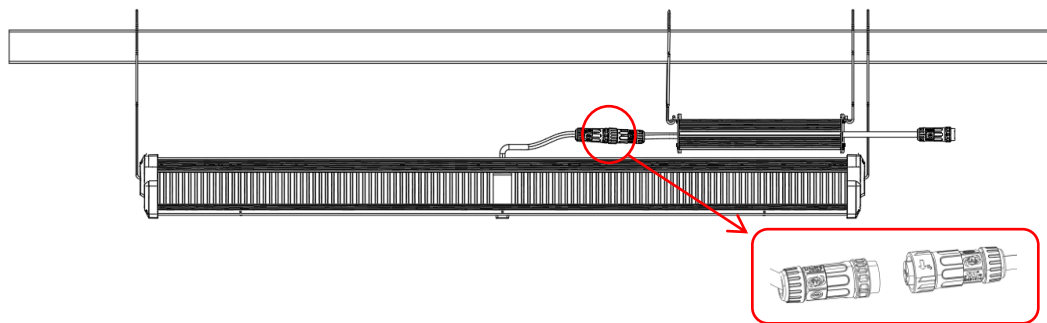


Mounting 2



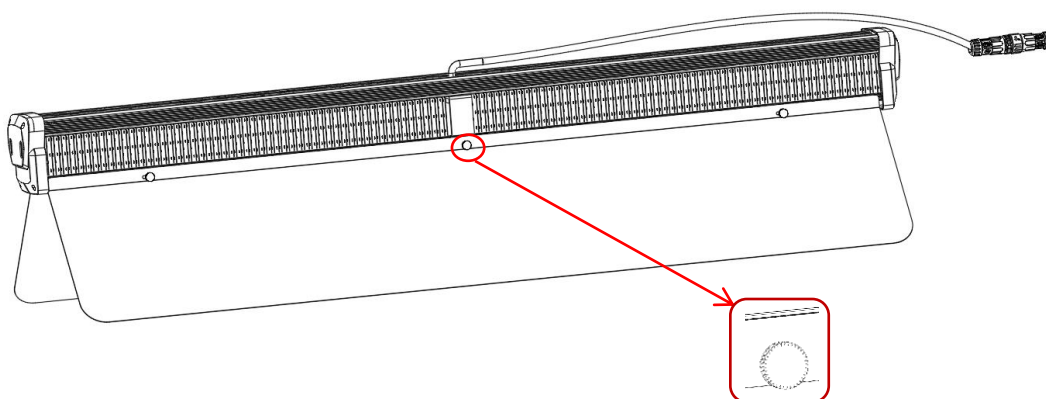
2. Connect the DC power cord between light fixture and driver.





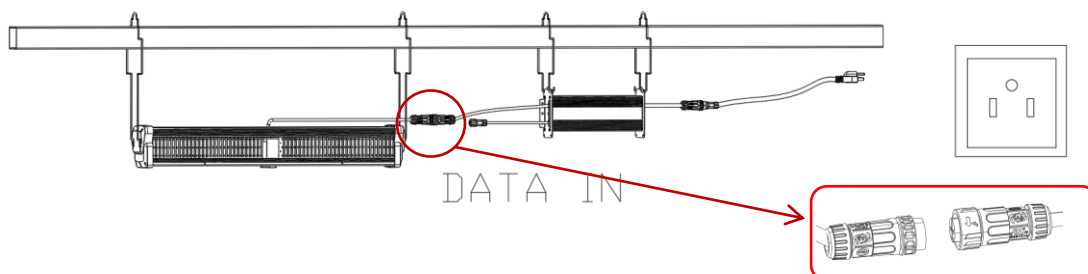
3. Reflectors(Optional)

Attach the reflector to the lamp strip by mounting screws



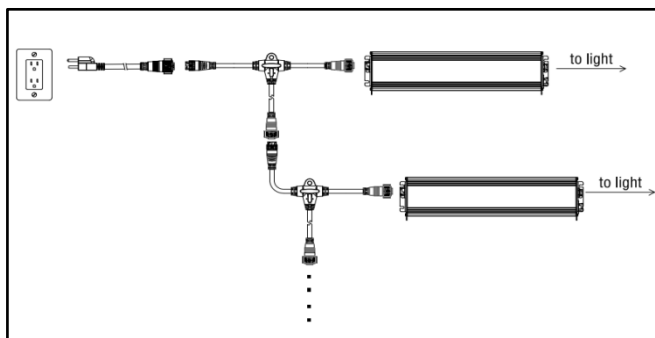
4. If using 0-10V dimming control, then connect dimming port on the driver to another light fixture or dimming controller by linking cords.

Note: the maximum number of linkable/controllable lights depends on the controller/dimmer used. Please refer to the controller for limits and do not exceed.



Linking

Daisy-chain linking of AC power and/or data connections is accomplished using optional T-connecting cords with 1 input and 1 output at one end of the cord, and a second output at the opposite end of the cord. The second output can “power” an additional linking cord or an additional light.



AC linking limits for 660W HI-Top Lights are:

- 120V: 2 lights maximum
- 208V: 3 lights maximum
- 220-277V: 4 lights maximum
- 480V (high voltage model): 8 lights maximum

AC linking limits for 345W HI-Top Lights are:

- 120V: 4 lights maximum
- 208V: 6 lights maximum
- 220-277V: 8 lights maximum
- 480V (high voltage model): 16 lights maximum

Data linking limits are primarily determined by the controller/dimmer used.

