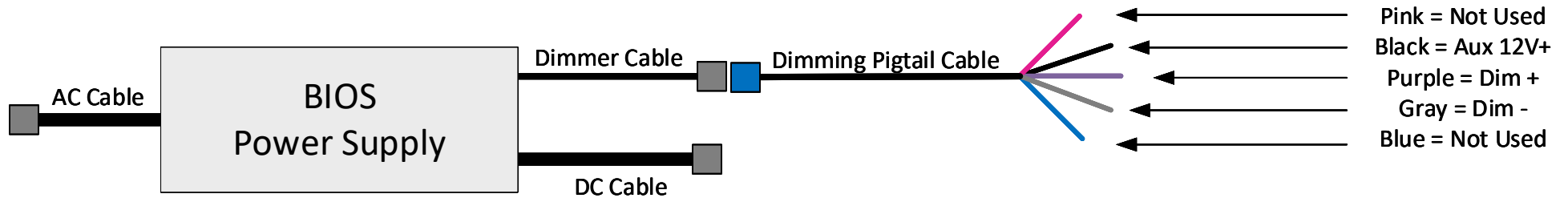


BIOS Dimming Instructions – Specifications



Dimming Daisy Chain Wire Specifications

How many fixtures can I connect to my dimmer?:

- * See dimmer manufacture specs.
- * Each dimmers different. Their specified amperage outputs will drive the number of fixtures that they can control.
- * Wire length and gauge as well as number of splices will also play a factor in the number of fixtures that can be controlled.
- * Best practice is to error on the conservative side.

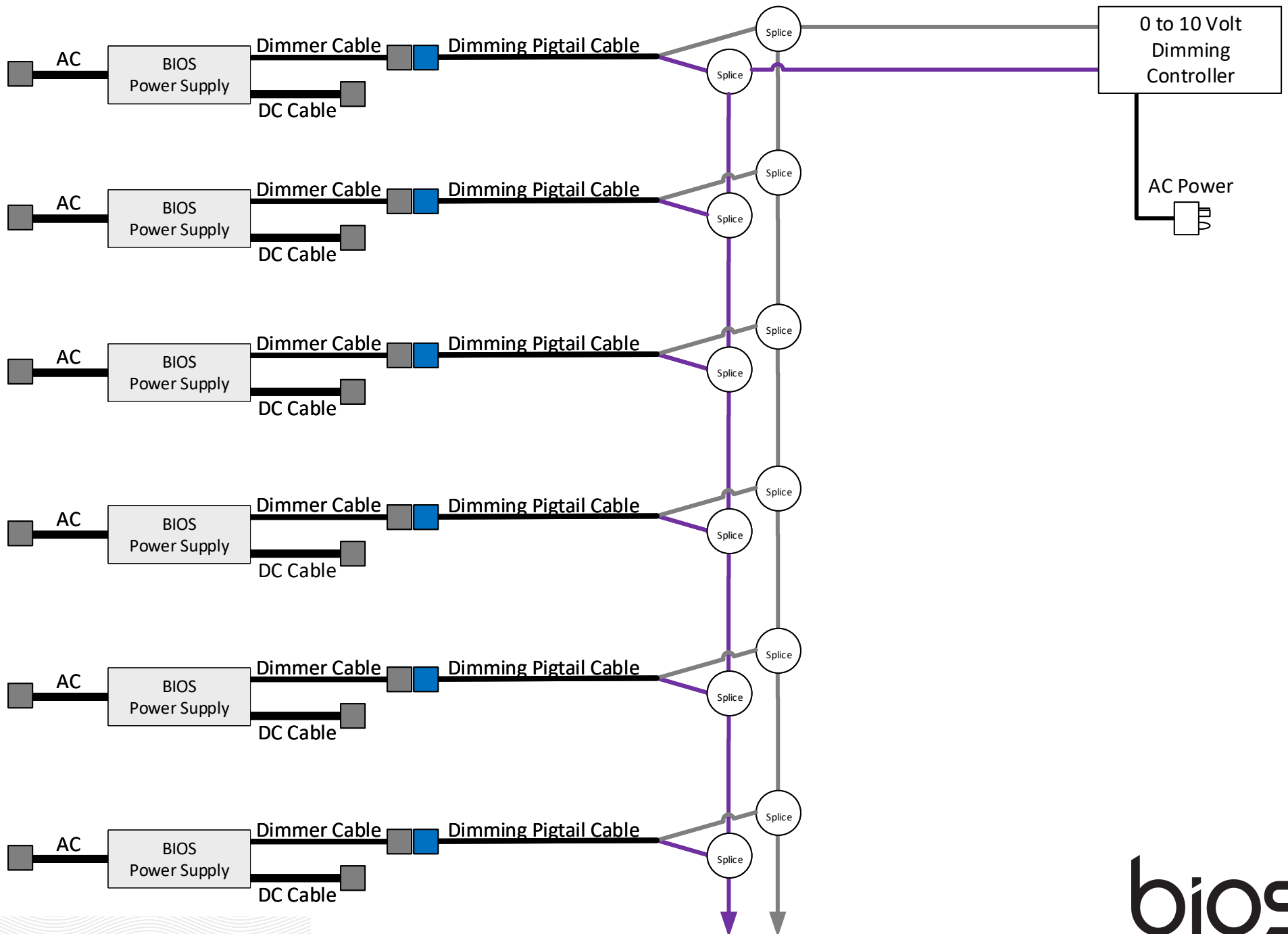
Recommended Wire Gauge:

- * Total Run < 150 feet use 22 Gauge
- * Total Run < 300 feet use 18 Gauge
- * Total Run < 450 feet use 16 Gauge

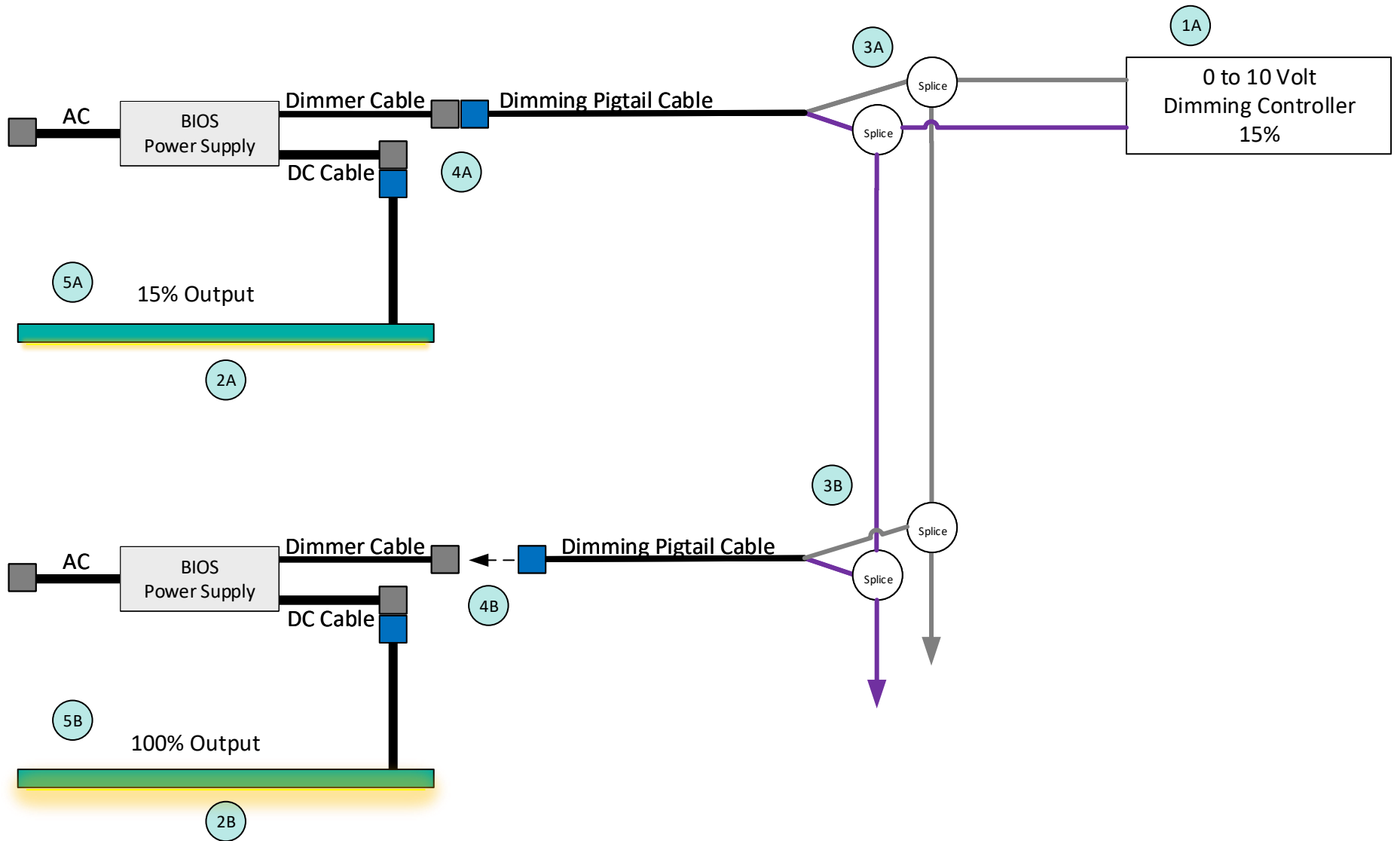
Recommended Wire Splicing Connectors:

- * Drycon 316 IR+ water proof connectors.

BIOS Dimming Instructions – Dimmer Using AC Power



BIOS Dimming Instructions – Wiring Tips



Wiring Tips:

- ① Set Dimming controller to 15% dim level.
- ② Turn fixtures on.
- ③ Splice Dimming Pigtail Cable into the Daisy Chain.
- ④ Connect Dimming Pigtail Cable Quick Connect With PSU Dimming Cable Quick Connect.
- ⑤ If splice is clean, fixture will dim to 15%.
Repeat 2 through 5 with remaining fixtures in sequence until complete.