



OA6-24 Cut Sheet



Features

- LED Power Indicator
- Addressing Button
- 6 Individually-Controlled 24V Outputs
- Individual LED Indicator for Each Output
- Double RJ12 Cable Sockets for Daisy Chain Connectivity

Overview

The OA6-24 control board is designed to control multiple 24vac solenoid valves.

It provides an easy and efficient method to control up to 6 valves... each with individual timer settings. Up to 5 OA6-24 can be connected to a single Aqua-x providing a maximum of 30 individually controlled outputs to connect to your solenoid valves. The Aqua-x can also provide a "master pump link" by using a DSP-1 along with the OA6-24. Connecting a DSP-1 to the OA6-24 provides an automatic "pump link" between the DSP-1 and the OA6-24. When any of the 24vac irrigation zones are activated on the OA6-24, the DSP-1 will automatically turn on the pump.

M Product Specifications

Dimensional Diagram

Package Content

1 x 24V Control Board
1 x 16ft RJ12 Cable

Input Voltage

110-240 VAC

Max Input Current

0.2A

Max Output Voltage/Current

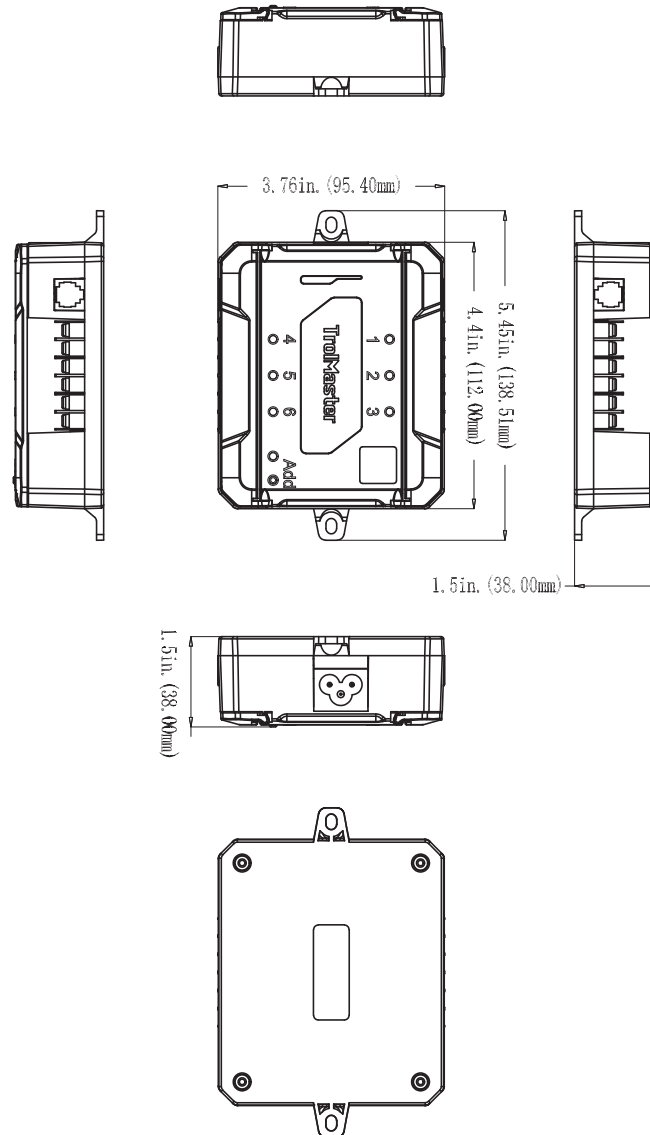
24VAC/0.2A per output

Working Environments

Temperature 32°-122°F, Humidity=90%

Packaging Dimensions

275mm(L) x 164mm(W) x 40mm(H)



Tech Support
Phone : 877-420-9876
Email : support@trolmaster.com

