



HUMIDITY CONTROL. SIMPLY PERFECTED.



2021 COMMERCIAL PRODUCT BROCHURE

(877) 420-1330
QUESTCLIMATE.COM

DEHUMIDIFICATION DOESN'T NEED TO BE DIFFICULT.

Humidity control is critical to ensure moisture doesn't damage your product or put your employees at risk. Quest is on a mission to bring a simple, expert-backed products to its customers.

QUEST DEHUMIDIFIERS

Developed in Madison, Wisconsin, our dehumidifiers have set the gold standard in energy efficiency, durability, reliability and flexibility. Quest humidity control products come in a wide array of sizes and options, allowing you to customize and design the perfect environment for your industry's specific needs. Additionally, we deliver everything you need to know when it comes to HVAC design, specification, selection, installation and operation for every size of facility.

CONSISTENT ENVIRONMENT

Maintaining precise humidity levels is a critical step in ensuring moisture doesn't damage your products, facility, or put your employees at risk. At Quest, we partner with a wide variety of agriculture, industrial and commercial industries, sharing our expertise to help customers create the most productive, climate-controlled environments possible. By having a Quest commercial dehumidifier sized and tailored to your specifications, you will have an energy-efficient, cost-effective, and lasting solution to all your humidity problems.

FACILITY & PRODUCT PRESERVATION

High humidity is the mastermind behind frost, ice buildup, condensation, mold, and fungus problems that can, at their worst, ruin your products and shut down your whole operations. Adding Quest dehumidifiers ensures you have the most reliable system to control humidity.

SAFETY ISSUES SOLVED

Steam, humidity, and frost are everyday byproducts of various agricultural and industrial processes and wet flooring can result in slip-and-fall injuries or facility damage. Quest dehumidification systems fix humidity issues before they become a liability.

CUSTOMIZED SOLUTIONS

Not only does Quest design and manufacture the most powerful, most energy-efficient commercial dehumidification equipment on the market, but we also have a team of experts standing by to help you craft a customized solution to fit your needs.

QUEST + TROTEC BLENDING EXCELLENCE + EXPERTISE FOR YOU.

Quest has partnered with famed German manufacturer Trotec to bring you a new line of desiccant dehumidifiers built to solve problems both big and small.

Whether you need a small unit to remove 80 pints daily, or a fleet of our biggest unit, the TR 3900, to tackle thousands of gallons of water removal, we have you covered.

Founded on Trotec engineering and Quest industry expertise, the units separate themselves from the competition.

MODULAR DESIGN

Quest Trotec dehumidifiers grow with your needs. New facility that's far from capacity? Changes in what your plant's producing? Don't sweat it. With Quest Trotec, you can buy the unit that fits your current needs without worrying about outgrowing it. When you need more desiccant dehumidification, we provide a part and software upgrade that allows your current unit to increase capacity. No additional expenses. No new units. No headaches. It's that simple.

EASY MAINTENANCE + SUPPORT

Quest Trotec uses best-in-class components, from fans to hardware, to ensure you can quickly find and replace a part without the hassle of having to wait for a factory fix. It's as simple as going to your local HVAC supplier to get the part you need. Of course, we're here for you, too, but we know downtime equals money lost.

NO LEAD TIMES

When you have an issue, you don't want to wait. Quest Trotec units are in stock and ready to ship when you need them. We keep an inventory of all our units to ensure humidity doesn't slow you down, and to ensure your building plans aren't delayed.



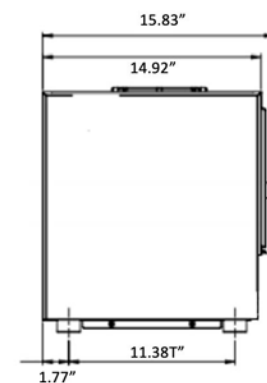
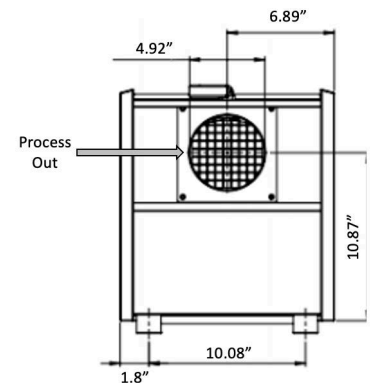
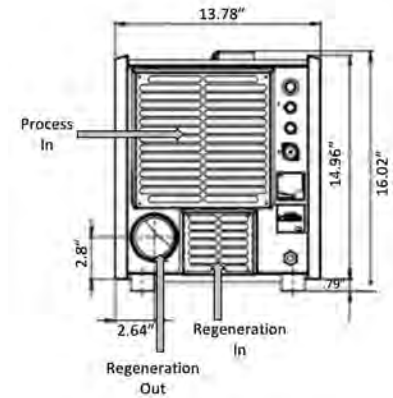
TR80

Desiccant Dehumidifier

1.877.420.1330
www.QuestClimate.com

TR80

Power:	230V 50-60Hz 7.2 Amps total power consumption
Kilowatts:	1.6 (38.4 kWh/day)
Capacity per Day:	84 Pints (80°F 60%RH)
Blower:	206 CFM Process Airflow @ 0" ESP 38 CFM Reactivation Airflow @ 0" ESP
Temperature Range:	5°F to 95°F*
Filters:	Process Filter Size: 8.9" X 7.9" X 1.9" Regeneration Filter Size: 4.6" X 4.8" X 1.9"
Process Duct:	4.75"
Reactivation Duct:	3"
Dimensions:	
	Unit
Width	13.75"
Height	16"
Depth	15.75"
Weight	37.5 lb
Process Air Filter Replacement:	Filter Z-Line G4 Process Air
Regeneration Air Filter Replacement:	TR80 Filter Z-Line G4 Regeneration Air



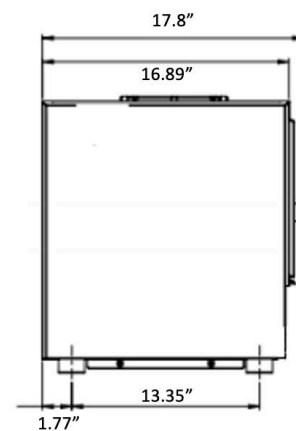
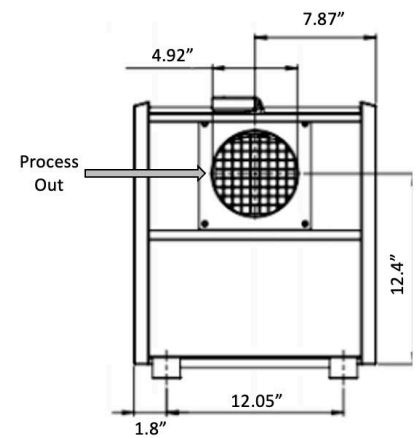
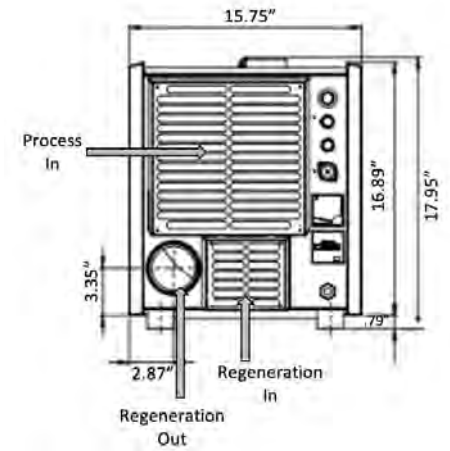
TR110

Desiccant Dehumidifier

1.877.420.1330
www.QuestClimate.com

TR110

Power:	230V 50-60Hz 9.2 Amps total power consumption
Kilowatts:	1.6 (38.4 kWh/day)
Capacity per Day:	116 Pints (80°F 60%RH)
Blower:	282 CFM Process Airflow @ 0" ESP 47 CFM Reactivation Airflow @ 0" ESP
Temperature Range:	5°F to 95°F*
Filters:	Process Filter Size: 8.9" X 7.9" X 1.9" Regeneration Filter Size: 6" X 46.7" X 1.9"
Process Duct:	5"
Reactivation Duct:	3"
Dimensions:	
	Unit
Width	15.75"
Height	18"
Depth	17.8"
Weight	55.1 lb
Process Air Filter Replacement:	Filter Z-Line G4 Process Air
Regeneration Air Filter Replacement:	TR110 Filter Z-Line G4 Regeneration Air



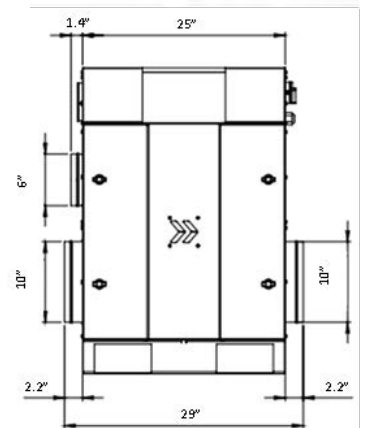
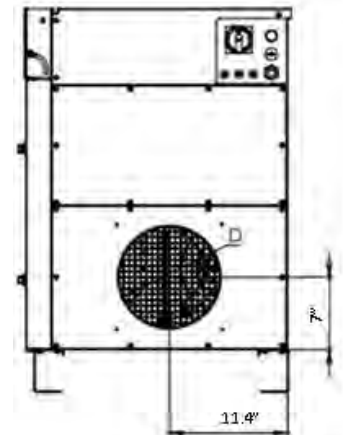
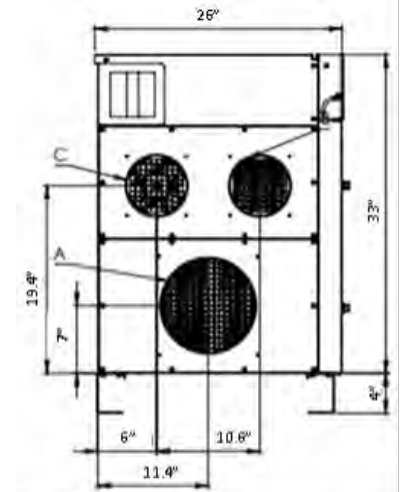
TR190

Desiccant Dehumidifier

1.877.420.1330
www.QuestClimate.com

TR190

Power:	380-480V/50-60 Hz 7.5 Amps total power consumption
Kilowatts:	4.9 (117.6 kWh/day)
Capacity per Day:	190 Pints (80°F 60%RH)
Blower:	441 CFM Process Airflow @ 0" ESP 76 CFM Reactivation Airflow @ 0" ESP
Temperature Range:	-4°F to 104°F*
Filters:	Filter Size: 12" X 12" X 2"
Process Duct:	6"
Reactivation Duct:	10"
Dimensions:	
	Unit
Width	24.6"
Height	37"
Depth	25.6"
Weight	187.4 lb
Air Filter Replacement:	G4 Z-Line-Filter for TAC 750 E / TAC 1500 and TTR 800 / 1400 / 2000 / 2800 / 3700



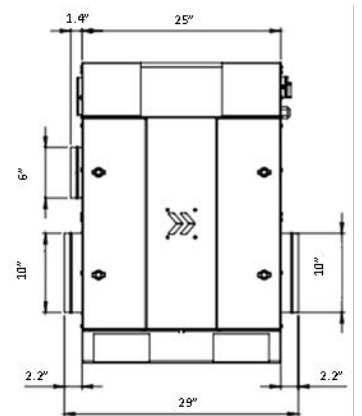
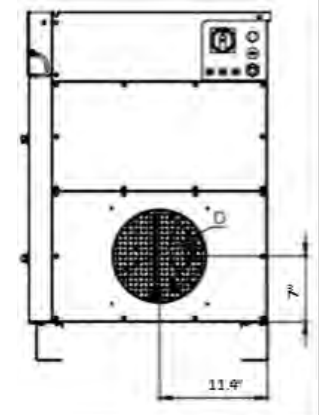
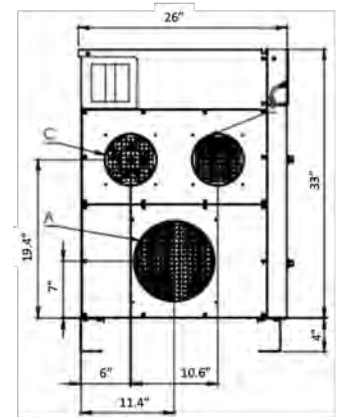
TR390

Desiccant Dehumidifier

1.877.420.1330
www.QuestClimate.com

TR390

Power:	380-480V/50-60 Hz 15 Amps total power consumption
Kilowatts:	9.8 (235.2 kWh/day)
Capacity per Day:	390 Pints (80°F 60%RH)
Blower:	853 CFM Process Airflow @ 0" ESP 158 CFM Reactivation Airflow @ 0" ESP
Temperature Range:	-4°F to 104°F*
Filters:	Filter Size: 12" X 12" X 2"
Process Duct:	6"
Reactivation Duct:	10"
Dimensions:	
	Unit
Width	24.6"
Height	37"
Depth	25.6"
Weight	220.5 lb
Air Filter Replacement:	G4 Z-Line-Filter for TAC 750 E / TAC 1500 and TTR 800 / 1400 / 2000 / 2800 / 3700



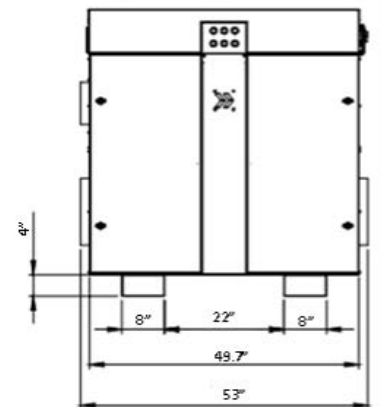
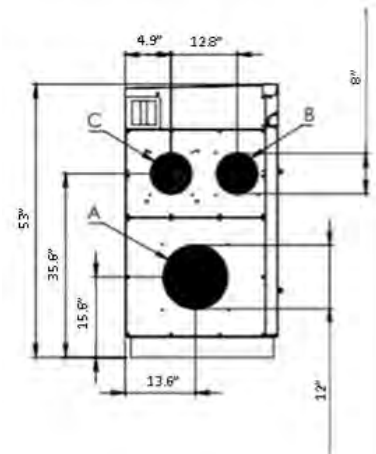
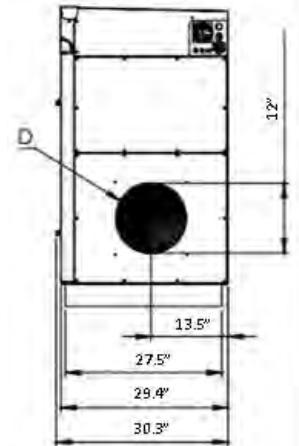
TR570

Desiccant Dehumidifier

1.877.420.1330
www.QuestClimate.com

TR570

Power:	380-480V/50-60 Hz 23 Amps total power consumption
Kilowatts:	15 (360 kWh/day)
Capacity per Day:	571 Pints (80°F 60%RH)
Blower:	1177 CFM Process Airflow @ 0" ESP 223 CFM Reactivation Airflow @ 0" ESP
Temperature Range:	-4°F to 104°F*
Filters:	Filter Size: 12" X 12" X 2"
Process Duct:	8"
Reactivation Duct:	12"
Dimensions:	
	Unit
Width	30"
Height	52"
Depth	53"
Air Filter Replacement:	G4 Z-Line-Filter for TAC 750 E / TAC 1500 and TTR 800 / 1400 / 2000 / 2800 / 3700



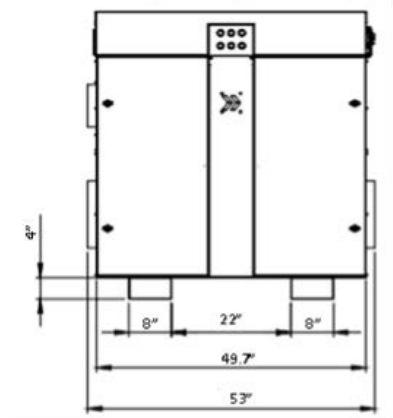
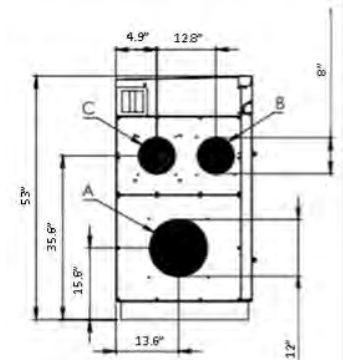
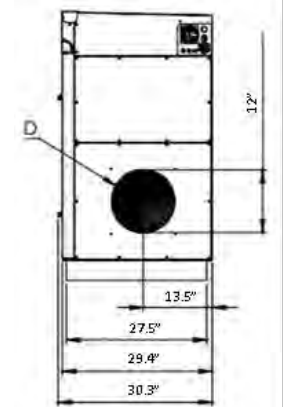
TR830

Desiccant Dehumidifier

1.877.420.1330
www.QuestClimate.com

TR830

Power:	380-480V/50-60 Hz 31.7 Amps total power consumption
Kilowatts:	21.6 (581.4 kWh/day)
Capacity per Day:	830 Pints (80°F 60%RH)
Blower:	1648 CFM Process Airflow @ 0" ESP 335 CFM Reactivation Airflow @ 0" ESP
Temperature Range:	-4°F to 104°F*
Filters:	Filter Size: 12" X 12" X 2"
Process Duct:	8"
Reactivation Duct:	12"
Dimensions:	
	Unit
Width	30"
Height	52"
Depth	53"
Air Filter Replacement:	G4 Z-Line-Filter for TAC 750 E / TAC 1500 and TTR 800 / 1400 / 2000 / 2800 / 3700



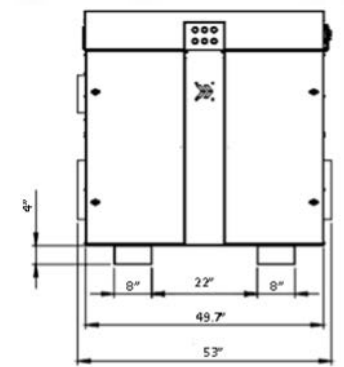
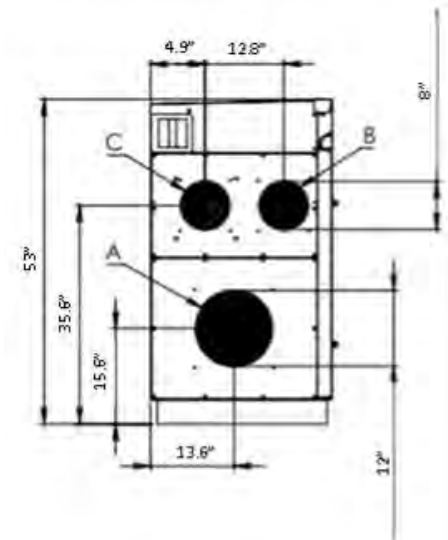
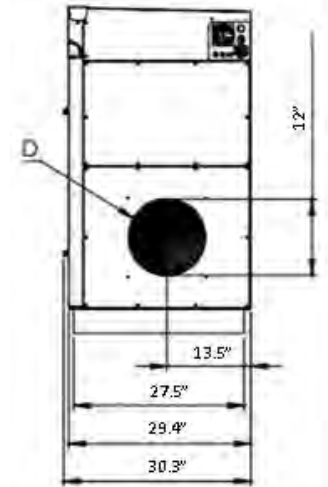
TR1100

Desiccant Dehumidifier

1.877.420.1330
www.QuestClimate.com

TR1100

Power:	380-480V/50-60 Hz 42.8 Amps total power consumption
Kilowatts:	28.8 (691.2kWh/day)
Capacity per Day:	1084 Pints (80°F 60%RH)
Blower:	2177 CFM Process Airflow @ 0" ESP 435 CFM Reactivation Airflow @ 0" ESP
Temperature Range:	-4°F to 104°F*
Filters:	Filter Size: 12" X 12" X 2"
Process Duct:	8"
Reactivation Duct:	12"
Dimensions:	
	Unit
Width	30"
Height	52"
Depth	53"
Weight	595.2 lb
Air Filter Replacement:	G4 Z-Line-Filter for TAC 750 E / TAC 1500 and TTR 800 / 1400 / 2000 / 2800 / 3700



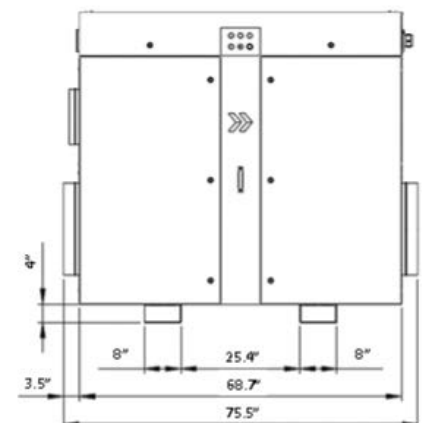
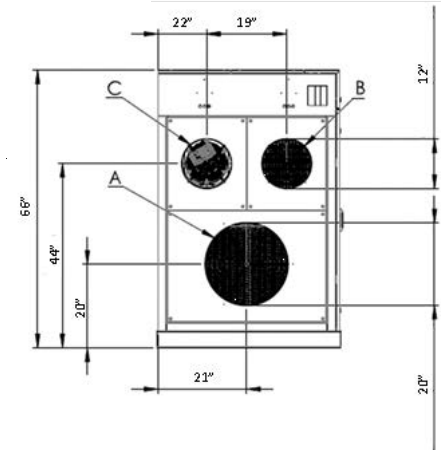
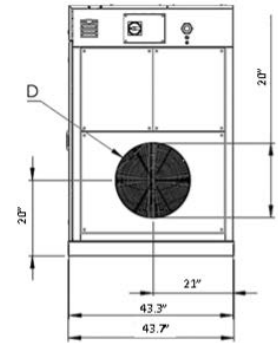
TR1500

Desiccant Dehumidifier

1.877.420.1330
www.QuestClimate.com

TR1500

Power:	380-480V/50-60 Hz 60 Amps total power consumption
Kilowatts:	40 (960 kWh/day)
Capacity per Day:	1539 Pints (80°F 60%RH)
Blower:	3060 CFM Process Airflow @ 0" ESP 618 CFM Reactivation Airflow @ 0" ESP
Temperature Range:	-4°F to 104°F*
Filters:	Filter Size: 19.5" X 19.5" X 3.8"
Process Duct:	8"
Reactivation Duct:	12"
Dimensions:	
	Unit
Width	43"
Height	66"
Depth	75"
Weight	1499.1 lb
Air Filter Replacement:	G4 Z-Line-Filter for TAC 5000 and TTR 5200 / 6600 / 8200



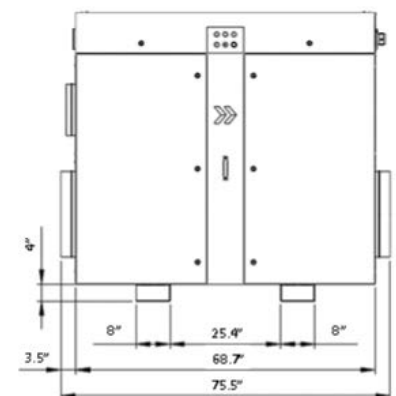
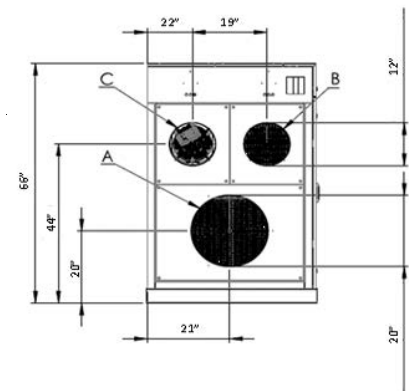
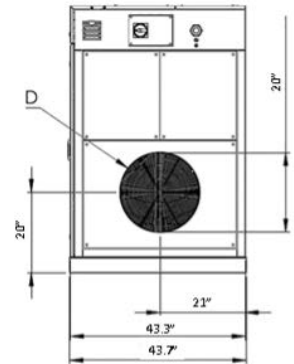
TR1900

Desiccant Dehumidifier

1.877.420.1330
www.QuestClimate.com

TR1900

Power:	380-480V/50-60 Hz 73.5 Amps total power consumption
Kilowatts:	50.5 (1212 kWh/day)
Capacity per Day:	1968 Pints (80°F 60%RH)
Blower:	3884 CFM Process Airflow @ 0" ESP 782 CFM Reactivation Airflow @ 0" ESP
Temperature Range:	-4°F to 104°F*
Filters:	Filter Size: 19.5" X 19.5" X 3.8"
Process Duct:	8"
Reactivation Duct:	12"
Dimensions:	
	Unit
Width	43"
Height	66"
Depth	75"
Weight	1587.3 lb
Air Filter Replacement:	G4 Z-Line-Filter for TAC 5000 and TTR 5200 / 6600 / 8200



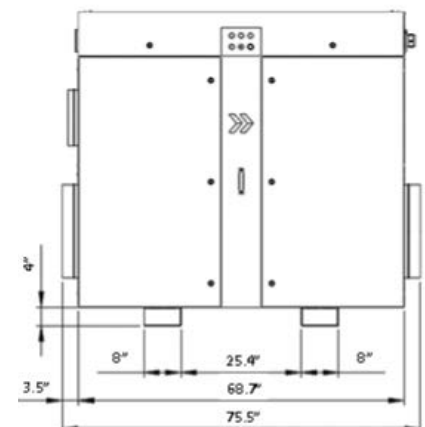
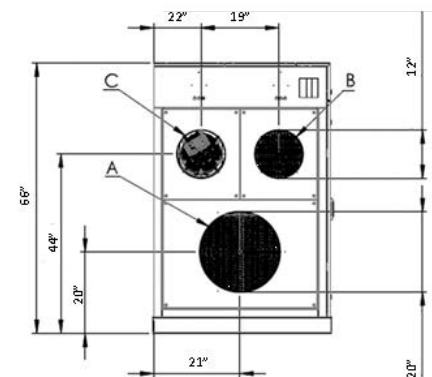
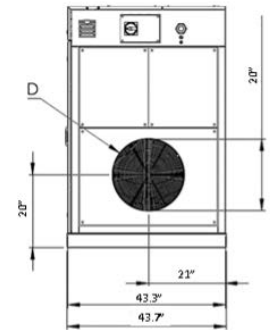
TR2400

Desiccant Dehumidifier

1.877.420.1330
www.QuestClimate.com

TR2400

Power:	380-480V/50-60 Hz 93.5 Amps total power consumption
Kilowatts:	64.5 (1548 kWh/day)
Capacity per Day:	2444 Pints (80°F 60%RH)
Blower:	4826 CFM Process Airflow @ 0" ESP 977 CFM Reactivation Airflow @ 0" ESP
Temperature Range:	-4°F to 104°F*
Filters:	Filter Size: 19.5" X 19.5" X 3.8"
Process Duct:	8"
Reactivation Duct:	12"
Dimensions:	
	Unit
Width	43"
Height	66"
Depth	75"
Weight	1653.5 lb
Air Filter Replacement:	G4 Z-Line-Filter for TAC 5000 and TTR 5200 / 6600 / 8200



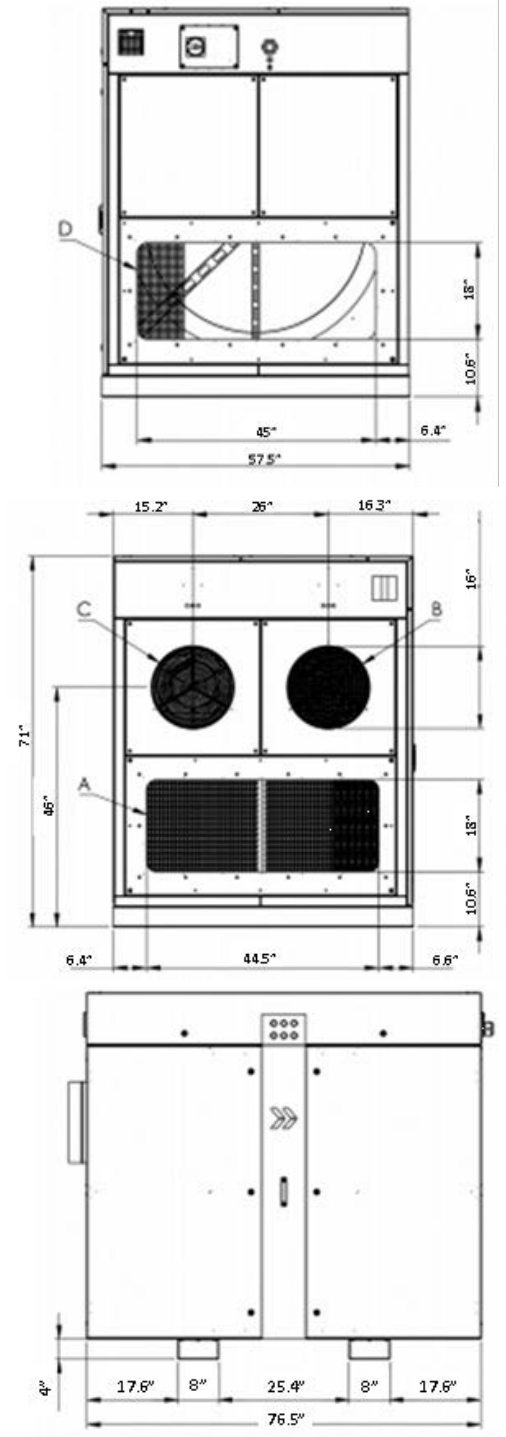
TR2900

Desiccant Dehumidifier

1.877.420.1330
www.QuestClimate.com

TR2900

Power:	380-480V/50-60 Hz 108 Amps total power consumption
Kilowatts:	74 (1776 kWh/day)
Capacity per Day:	2915 Pints (80°F 60%RH)
Blower:	5786 CFM Process Airflow @ 0" ESP 1159 CFM Reactivation Airflow @ 0" ESP
Temperature Range:	-4°F to 104°F*
Filters:	3 total PN 7160000495 (2x process, 1x regen)
Process Ducts:	27.6"
Reactivation Ducts:	16"
Dimensions:	
	Unit
Width	77"
Height	71"
Depth	58"
Weight	1984.2 lb
Air Filter Replacement:	Z-Line-Filter G4 (3x)



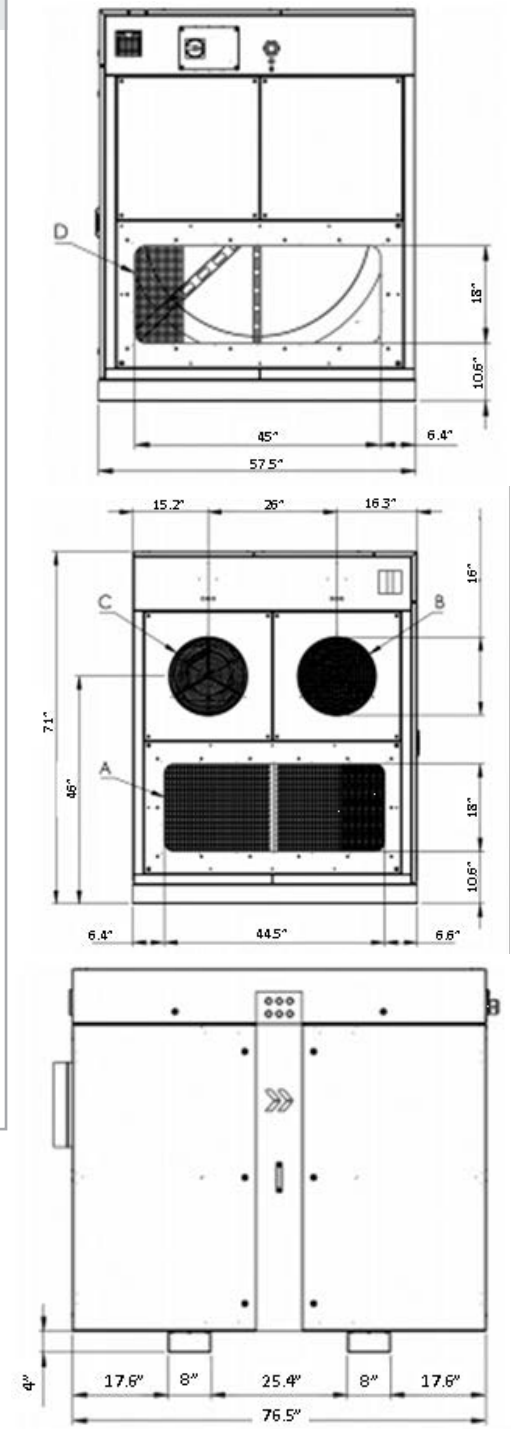
TR3500

Desiccant Dehumidifier

1.877.420.1330
www.QuestClimate.com

TR3500

Power:	380-480V/50-60 Hz 129 Amps total power consumption
Kilowatts:	89 (2136 kWh/day)
Capacity per Day:	3518 Pints (80°F 60%RH)
Blower:	6945 CFM Process Airflow @ 0" ESP 1400 CFM Reactivation Airflow @ 0" ESP
Temperature Range:	-4°F to 104°F*
Filters:	3 total PN 7160000495 (2x process, 1x regen)
Process Ducts:	28"
Reactivation Ducts:	16"
Dimensions:	
	Unit
Width	77"
Height	71"
Depth	58"
Weight	2204.6 lb
Air Filter Replacement:	Z-Line-Filter G4 (3x)



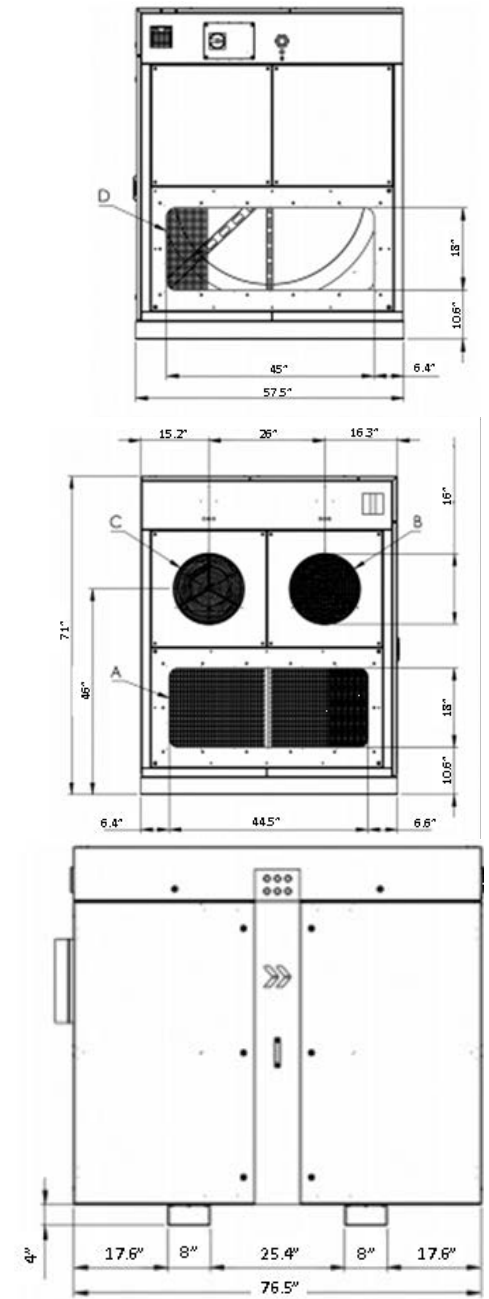
TR3900

Desiccant Dehumidifier

1.877.420.1330
www.QuestClimate.com

TR3900

Power:	380-480V/50-60 Hz 150 Amps total power consumption
Kilowatts:	103 (2472 kWh/day)
Capacity per Day:	3947 Pints (80°F 60%RH)
Blower:	7828 CFM Process Airflow @ 0" ESP 1571 CFM Reactivation Airflow @ 0" ESP
Temperature Range:	-4°F to 104°F*
Filters:	3 total PN 7160000495 (2x process, 1x regen)
Process Ducts:	28"
Reactivation Ducts:	16"
Dimensions:	
	Unit
Width	77"
Height	71"
Depth	58"
Weight	2425.1 lb
Air Filter Replacement:	Z-Line-Filter G4 (3x)



Quest 70

High-Efficiency Dehumidifier

1.877.420.1330
www.QuestClimate.com



4033750 Quest 70	
Blower:	150 CFM @ 0.0" WG
Power (Watts):	680
Supply voltage:	110-120 VAC – 1phase – 60 Hz.
Current Draw (Amps):	5.1
Energy Factor (L/kWh):	2.37
Operating Temp:	33°F Min - 100°F Max
Water Removal (Pints/Day):	70
Efficiency (Pints/kWh):	5.0
Air Filter (MERV-13):	Size: 9" x 11.38" x .75"
Power Cord:	8', 110-120 VAC, Ground
Drain Connection:	3/4" Threaded MPT
Dimensions:	Unit Shipping
Width:	12" 18"
Height:	12" 18"
Length:	21.5" 27"
Weight:	55 lbs 65 lbs

Quest 105, 155, 205 Dual

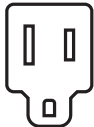
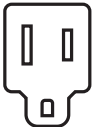

High-Efficiency Dehumidifiers

1.877.420.1330
www.QuestClimate.com



PATENTS:
D570,988
8,069,681



Specifications @ 80°F/60% RH						
Unit:	4032270 105 Dual		4031490 155 Dual		4033060 205 Dual	
Blower: (Tested with duct collars on)	257 CFM @ 0.0" WG 206 CFM @ 0.2" WG 146 CFM @ 0.4" WG		391 CFM @ 0.0" WG 363 CFM @ 0.2" WG 337 CFM @ 0.4" WG		526 CFM @ 0.0" WG 495 CFM @ 0.2" WG 458 CFM @ 0.4" WG	
Power: (Watts)	530		920		1525	
Supply voltage:	110-120 VAC - 1 Phase - 60 Hz.		110-120 VAC - 1 Phase - 60 Hz.		110-120 VAC - 1 Phase - 60 Hz.	
Current Draw: (Amps)	4.9		8.0		13.2	
Energy Factor: (L/kWh)	4.2		3.5		2.7	
Operating Temp:	56°F - 95°F		56°F - 95°F		56°F - 95°F	
Water Removal: (Pints/Day) Efficiency: (Pints/kWh)	105 8.8		155 7.3		205 5.7	
Air Filter: (MERV-11 Nominal)	Size: 16" x 20" x 2"		Size: 16" x 20" x 2"		Size: 16" x 20" x 2"	
Power Cord:	10', 110-120 VAC, Ground 		10', 110-120 VAC, Ground 		10', 110-120 VAC, Ground *This unit requires a dedicated 20A circuit 	
Drain Connection:	3/4" Threaded NPT		3/4" Threaded NPT		3/4" Threaded NPT	
Refrigerant Type: Refrigerant Amount:	R410A 1lb. 10oz.		R410A 1lb. 13oz.		R410A 2lb. 0oz.	
Dimensions:	Unit	Shipping	Unit	Shipping	Unit	Shipping
Width:	20.25"	25"	20.25"	25"	20.25"	25"
Height:	21.75"	29"	21.75"	29"	21.75"	29"
Length:	37.88"	42"	37.88"	42"	37.88"	42"
Weight:	140 lbs	160 lbs	140 lbs	160 lbs	150 lbs	170 lbs

*Optional Accessories can be found on website or manual

Quest 110 and 150 Dual

High-Efficiency Dehumidifier

1.877.420.1330
www.QuestHydro.com



Quest 110 Dual



Quest 150 Dual

Unit:	Quest 110 Dual	Quest 150 Dual
Part Number:	4034220	4034230
Blower:	365 CFM @ 0.0" WG	430 CFM @ 0.0" WG
Power:	787 Watts @ 80°F and 60% RH	1300 Watts @ 80°F and 60% RH
Supply Voltage:	115 volt - 1 Phase - 60 Hz	115 volt - 1 Phase - 60 Hz
Amps:	7.4	11.0
Energy Factor:	2.8 L/kWh	2.29 L/kWh
Operating Range:	56°F - 95°F	56°F - 95°F
Minimum Performance @ 80°F and 60% RH:		
Water Removal:	110 Pints/Day	150 Pints/Day
Efficiency:	5.8 Pints/kWh	4.8 Pints/kWh
Air Filter:	MERV-8	MERV-8
Power Cord:	10' - 115 Volt Grounded Plug	10' - 115 Volt Grounded Plug
Drain Connection:	3/4" Threaded NPT or 5/8" Hose Barb	3/4" Threaded NPT or 5/8" Hose Barb
Warranty:	1 year 100% parts and labor 5 year sealed refrigerant system	1 year 100% parts and labor 5 year sealed refrigerant system
Dimensions:	Unit Shipping	Unit Shipping
Width:	14.5" 19"	14.5" 19"
Height:	19.4" 25"	21" 27"
Depth:	26" 35"	26" 35"
Weight:	85 lbs 95 lbs	95 lbs 100 lbs

*Optional Accessories can be found on website or manual

Quest 165 and 225 Dual

High-Efficiency Dehumidifiers



1.877.420.1330
www.QuestClimate.com



PATENTS:
D570,988
8,069,681



Specifications @ 80°F and 60% RH:

Unit:	4037410 165 Dual	4035400 225 Dual
Blower: (Tested with duct collars on)	391 CFM @ 0.0" WG 363 CFM @ 0.2" WG 337 CFM @ 0.4" WG	526 CFM @ 0.0" WG 495 CFM @ 0.2" WG 458 CFM @ 0.4" WG
Power (Watts):	980	1500
Supply voltage:	220-240 VAC - 1 Phase - 60 Hz.	220-240 VAC - 1 Phase - 60 Hz.
Current Draw (Amps):	3.5	6.9
Energy Factor:	3.7 L/kWh	2.9 L/kWh
Operating Temp:	56°F - 95°F	56°F - 95°F
Water Removal (Pints/Day):	155	225
Efficiency (Pints/kWh):	7.8	6.1
Air Filter (MERV-11 Nominal):	Size: 16" x 20" x 2"	Size: 16" x 20" x 2"
Power Cord:	10' 14/3 SJTW w/6-15P Plug 	10' 14/3 SJTW w/6-15P Plug 
Drain Connection:	3/4" Threaded NPT	3/4" Threaded NPT
Refrigerant Type: Refrigerant Amount:	R410A 2lb. 0oz.	R410A 2lb. 0oz.
Dimensions:	Unit Shipping	Unit Shipping
Width:	20.25" 25"	20.25" 25"
Height:	21.75" 29"	21.75" 29"
Length:	37.88" 42"	37.88" 42"
Weight:	140 lbs 160 lbs	160 lbs 180 lbs

*Optional Accessories can be found on website or manual


Quest 335

High-Efficiency Dehumidifier

1.877.420.1330
www.QuestClimate.com



Unit:	Quest 335 4042500
Impeller:	Backward curved
Power (Watts):	1565
Supply voltage:	208-230 VAC - 1 Phase - 60 Hz.
Current Draw (Amps):	7.9A @208v 6.9A @ 230v
Rated Current Draw (Amps): (104°F 36%)	10.3A @ 208v 8.8A @ 230v
Minimum Circuit Ampacity (MCA):	15.8A @ 208v 14.4A @ 230v
Maximum Overcurrent Protection (MOP):	25A @ 208v 20A @ 230v
Energy Factor (L/kWh):	4.3
Operating Temp:	56°F Min - 95°F Max
Water Removal (Pints/Day):	335
Efficiency (Pints/kWh):	9.3
Air Filter (MERV-13):	Size: 20" x 22" x 2"

Power Cord:	 NEMA 6-15P	
Drain Connection:	3/4 Threaded NPT	
Refrigerant Type:	R410A	
Refrigerant Amount:	4lb. 12oz.	
Dimensions:	Unit	Shipping
Width:	32.9"	36"
Height:	24.4"	30"
Length:	23.5"	28"
Weight:	215 lbs	255 lbs

* requires buck/boost transformer to run on 277V



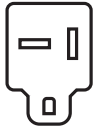
Quest 506

High-Efficiency Dehumidifier

1.877.420.1330
www.QuestClimate.com



Unit:	Quest 506 4036600
Impeller:	0" = 1500 CFM .2" = 1350 CFM .4" = 1220 CFM .6" = 1060 CFM
Power (Watts):	2700
Supply voltage:	220-240 VAC - 1 Phase - 60 Hz.
Current Draw (Amps):	11.0
Rated Current Draw (Amps): (104°F 36%)	13.6
Minimum Circuit Ampacity (MCA):	19.1A
Maximum Overcurrent Protection (MOP):	30A
Energy Factor (L/kWh):	3.8
Operating Temp:	56°F Min - 95°F Max
Water Removal (Pints/Day):	506
Efficiency (Pints/kWh):	8.1
Air Filter (MERV-13): (2)	Size: 18" x 20" x 2"

Power Cord:		
	14ga 10', NEMA 6-20P	
Drain Connection:	3/4 Threaded NPT	
Refrigerant Type:	R410A	
Refrigerant Amount:	4lb. 8oz.	
Dimensions:	Unit	Shipping
Width:	28.9"	36"
Height:	33.8"	40"
Length:	44.7"	48"
Weight:	280 lbs	340 lbs

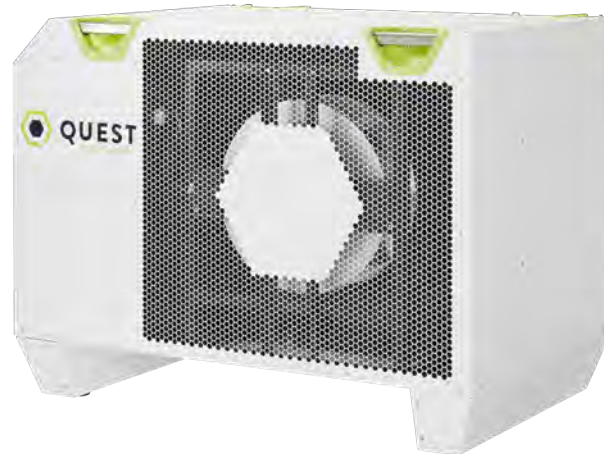
* requires buck/boost transformer to run on 208V or 277V



Quest 876

High-Efficiency Dehumidifier

1.877.420.1330
www.QuestClimate.com



Unit:	Quest 876 4037600
CFM	1850@0.0"WG
Power (Watts):	5500
Supply voltage:	220-240 VAC - 1 Phase - 60 Hz.
Current Draw (Amps):	24.7
Rated Current Draw (Amps): (104°F 36%)	31.5
Minimum Circuit Ampacity (MCA):	42.5A
Maximum Overcurrent Protection (MOP):	70A
Energy Factor (L/kWh):	3.1
Operating Temp:	56°F Min - 110°F Max
Water Removal (Pints/Day):	876
Efficiency (Pints/kWh):	6.6
Air Filter (MERV-13): (2)	Size: 18" x 20" x 2"
Power Cord:	Cord not provided - Direct wired only
Electrical Knockout Size	3/4" (1.094" opening)
Drain Connection:	3/4 Threaded NPT
Refrigerant Type:	R410A
Refrigerant Amount:	6lbs 4oz

Dimensions:	Unit	Shipping
Width:	28.9"	36"
Height:	33.8"	40"
Length:	44.7"	48"
Weight:	340 lbs	420 lbs

* requires external control not provided

* requires buck/boost transformer
to run on 208V or 277V



Quest Hi-E Dry 120

High-Efficiency Dehumidifier

1.877.420.1330
www.QuestClimate.com

Hi-E DRY 120 dehumidifiers are designed and built with emphasis on efficiency and durability. Today's Hi-E DRY 120 dehumidifiers remove up to 7.7 pints of water per kilowatt hour, while the industry average remains at only two to three pints.

The high-efficiency design of Hi-E DRY 120 dehumidifiers offer more than just dramatically reduced utility costs. The larger water removal capacity from a smaller, more efficient refrigeration system eliminates the need for 220 volt circuits in many applications. The smaller refrigeration system allows Hi-E DRY 120 dehumidifiers to cost less than other commercial dehumidifiers of equal capacity.

The Hi-E DRY 120 high efficiency dehumidifier utilizes refrigeration to cool the incoming air stream below its dew point as it passes through the dehumidification (evaporator) coil. This cooling results in the removal of moisture (latent heat) and reduction in temperature (sensible heat). The cooled and dried air is used to pre-cool the incoming air stream resulting in up to a 200 percent increase in overall efficiency. After the pre-cooling stage the processed air is reheated by passing through the condenser coil. The latent heat removed by the evaporator coil is returned to the air stream at this stage as sensible heat, resulting in an overall temperature increase from the incoming air.



Features:

- Controlled by a dehumidistat with settings from 20 to 80 percent relative humidity and a positive “on” and “off” setting.
- Portable and provided with four casters.
- Contains an internal condensate pump capable of lifting condensate 17 feet and 30 feet of condensate hose.
- Wiring is through a factory installed six foot power cord; 115 volt with ground.

Water Removal Rates (Pints/Day)

230 pints	90°F, 90%
158 pints	80°F, 80%
120 pints	80°F, 60% (AHAM)
96 pints	70°F, 60%
76 pints	70°F, 50%
64 pints	60°F, 60%
43 pints	60°F, 50%
33 pints	45°F, 80%



Quest Hi-E Dry 120

High-Efficiency Dehumidifier

1.877.420.1330
www.QuestClimate.com



ETL Listed



Specifications

Part Number	4036730
Supply Voltage	115 VAC 5.9 amps
Power	680 Watts @ 80°, 60%
Water Removal	120 pints (80°, 60%)
Blower	445 CFM
Operating Range	40°F–110°F
Filters	16"x20"x2" Pleated Media, (P/N 4021475) MERV-11

Warranty

Five years:
1st year 100% of Parts and Labor
2nd-5th year 100% of Parts of sealed
refrigerant system

Dimensions

	Unit	Shipping
Width:	20"	26"
Height:	42"	47"
Depth:	19"	24"
Weight:	121 lbs	145 lbs

Accessories and Replacement Air Filters

4021475	20" x 16" x 2" Pleated Media Filter MERV-11
4039132	Duct Kit, Optional
4039075	Muffler Kit

Minimum Performance at Set Conditions

Intake Air	70° 60%	80° 60%
Water removal/day	96 Lbs	120 Lbs
Pints/KWH	6.62	7.7



Quest Hi-E Dry 195

High-Efficiency Dehumidifier

1.877.420.1330
www.QuestClimate.com

Hi-E DRY 195 dehumidifiers are designed and built with emphasis on efficiency and durability. Today's Hi-E DRY 195 dehumidifiers remove up to seven pints of water per kilowatt hour, while the industry average remains at only two to three pints.

The high-efficiency design of Hi-E DRY 195 dehumidifiers offer more than just dramatically reduced utility costs. The larger water removal capacity from a smaller, more efficient refrigeration system eliminates the need for 220 volt circuits in many applications. The smaller refrigeration system allows Hi-E DRY 195 dehumidifiers to cost less than other commercial dehumidifiers of equal capacity.

The Hi-E DRY 195 high efficiency dehumidifier utilizes refrigeration to cool the incoming air stream below its dew point as it passes through the dehumidification (evaporator) coil. This cooling results in the removal of moisture (latent heat) and reduction in temperature (sensible heat). The cooled and dried air is used to pre-cool the incoming air stream resulting in up to a 200 percent increase in overall efficiency. After the pre-cooling stage the processed air is reheated by passing through the condenser coil. The latent heat removed by the evaporator coil is returned to the air stream at this stage as sensible heat, resulting in an overall temperature increase from the incoming air.



Features:

- Controlled by a dehumidistat with settings from 20 to 80 percent relative humidity and a positive "on" and "off" setting.
- Portable and provided with four casters.
- Contains an internal condensate pump capable of lifting condensate 17 feet and 20 feet of condensate hose.
- Wiring is through a factory installed six foot power cord; 115 volt with ground.

Water Removal Rates (Pints/Day)

370 pints	90°F, 90%
293 pints	80°F, 80%
195 pints	80°F, 60% (AHAM)
160 pints	70°F, 60%
120 pints	70°F, 50%
97 pints	55°F, 75%
63 pints	60°F, 50%
35 pints	45°F, 70%



Quest Hi-E Dry 195

High-Efficiency Dehumidifier

1.877.420.1330

www.QuestClimate.com



ETL Listed



Specifications

Part Number	4036710
Supply Voltage	115 VAC 13.1 amps
Power	1500 Watts @ 80°, 60%
Water Removal	195 pints (80°, 60%)
Blower	610 CFM
Operating Range	40°F–110°F
Filters	16"x20"x2" Pleated Media, (P/N 4021475) MERV-11

Warranty

Five years:
1st year 100% of Parts and Labor
2nd-5th year 100% of Parts of sealed refrigerant system

Dimensions

	Unit	Shipping
Width:	20"	26"
Height:	42"	47"
Depth:	19"	24"
Weight:	130 lbs	145 lbs

Accessories and Replacement Air Filters

4021475	20" x 16" x 2" Pleated Media Filter MERV-11
4039132	Duct Kit, Optional
4039075	Muffler Kit

Capacity; Pints per Day

		Relative Humidity					
		30	40	50	60	70	80
Air temp	50				40	52	63
	60		35	63	88	110	162
	70		81	120	159	180	205
	80		107	155	195	210	250
	85		115	160	198	230	262
	90		127	175	210	252	285

Minimum Performance at Set Conditions

Intake Air	70° 60%	80° 60%
Water removal/day	167 Lbs	201 Lbs
Pints/KWH	4.9	5.4



Quest CDG 174

Refrigerant Dehumidifier

1.877.420.1330
www.QuestHydro.com



Specifications:		
Part Number:	4031170	
Power:	10 amps	
Supply Voltage:	110-120 VAC	
Capacity:	176 pints/day @ AHAM (80°F, 60%)	
Process Air:	380 CFM	
Refrigerant:	2 lb, 2oz. R410a	
Operating Range:	33°F to 110°F	
Filter:	2" Pleated Media MERV-8	
Duct Options:	Outlet - 10" Lay-Flat	
Warranty:	1 year 100% parts and labor 5 year sealed refrigerant system	
Dimensions:		
	Unit	Shipping
Width:	23"	26"
Height:	40"	47"
Depth:	20"	24"
Weight:	135 lbs	148 lbs





SAVES YOU MONEY + TIME.



(877) 420-1330
QUESTCLIMATE.COM