

INSTALLATION INSTRUCTIONS



VOLT® Grow Light

VGL1-440-X

Help Hotline:

1-813-978-3700 • Mon-Fri 8am-8pm • Sat-Sun 10am - 6pm (EST)

Specifications and product details subject to change without notice.
© Copyright 2022, VOLT® Lighting, Lutz FL USA 33549 • All rights reserved.
customersupport@voltlighting.com • 813.978.3700



! Important: Please Read Before Installation

This luminaire is intended for installation in accordance with local codes and the National Electric Code (NEC). Failure to adhere to these codes and instructions may result in serious injury, property damage and void the warranty.

These instructions do not intend to cover all variations in installation, operation maintenance or mounting situations.

1. To prevent damage to the fixture, avoid touching or direct contact with the LED chips. Failure to follow this warning may results in product failure or void the warranty.
2. Mounting and installation of the LED fixture should ONLY be performed by a qualified electrician or certified professional, in accordance with applicable local laws and regulations.
3. The installer is responsible for correct and safe installation.
4. Ensure local electrical wire can support voltage and current requirements of the LED fixture.
5. Avoid coiled cords and keep main leads separated to prevent electromagnetic interference.
6. Do not connect or disconnect the LED fixture under load.
7. Mount to a structure that can support the weight of the LED fixture.
8. Ensure external switching gear can support the inrush current of the LED fixture. Always use a double pole contactor that is suitable for switching a capacitive load. Never use household timer to switch the LED fixture.
9. Ensure power cords and controller cables do not touch the LED rails after assembly.

! Important Safety Instructions

INSTRUCTIONS PERTAINING TO A RISK OF FIRE, OR INJURY TO PERSONS **Lighted lamp is HOT!**

WARNING - To reduce the risk of FIRE OR INJURY TO PERSONS.

1. Do not connect or disconnect the power cable to the LED fixture while under load.
2. Do not open or disassemble the LED fixture, it contains no serviceable parts inside. Opening or modifying the LED fixture can be dangerous and will void the warranty.

3. This product may cause interference to radio equipment and should not be installed near maritime safety communications equipment or other critical navigation or communication equipment operating between 0.45 - 30 MHz.
4. Do not use the LED fixture when either the LED fixture or its power cord are damaged. Replace the power cord only with original certified cords.
5. Modifications to the cords can lead to unwanted electromagnetic effects, which makes the product not comply with legal requirements.
6. Do not expose the LED fixture to:
 - a. ambient temperature outside the specified range;
 - b. dust and contamination;
 - c. direct sunlight during use or HID light that could heat up the ballast.
7. Store the LED fixture in a dry and clean environment, with an ambient temperature of -4-180°F (-20-80°C).
8. Always disconnect the LED fixture from mains before performing any maintenance.
9. Always allow for a cool down period of at least 30 minutes before touching the LED rails. Touching the LED rails when the fixture is lit or immediately afterwards can result in severe burns!
10. Do not use the LED fixture near flammable, explosive or reactive substances. Do not use sulfur vaporizers.
11. The installation and use of the LED fixture is the responsibility of the end user. Incorrect use or installation can lead to failure and damage to the LED fixture. Damage to the LED fixture and electronic circuitry as a result of incorrect installation and use revokes the warranty.
12. Regularly check the LED fixture for dust or dirt buildup. Clean if necessary. Contamination may cause overheating and decreased performance. Clean the outside of the LED fixture using a dry or damp cloth.
13. Regularly check the cables of the LED fixture to ensure it is undamaged.
14. These photobiological safety markings are based on testing of the light output characteristic of a single horticultural luminaire. Increased exposure risk to facility personnel may be present depending upon the number of horticultural luminaires and their placement and/or positioning within the plant growth facility.
It is the responsibility of the plant growth facility to address these risks at the facility level and to ensure that people entering the plant growth areas while the lights are on, are aware of these risks and that appropriate safeguards are in place.



! Important UL Warnings

1. Required minimum 15cm distance between adjacent lighting equipment and between the lighting equipment and combustible material such as walls, ceilings, movable partitions, and the like; and between lighting equipment and other heat generating equipment.
2. SUITABLE FOR OPERATION IN AMBIENT NOT EXCEEDING 40 °C.
3. A mechanical ventilation or colling system is required to maintain the temperature within the growing space below 40°C when the horticultural luminaire is in operation.
4. SUITABLE FOR DAMP LOCATIONS.
 - a. Are not concealed or extended through a wall, floor, ceiling, or other parts of the building structure;
 - b. Are not located above a suspended ceiling or dropped ceiling;
 - c. Are not permanently affixed to the building structure;
 - d. Are routed so that they are not subject to strain and are protected from physical damage;
 - e. Are visible over their entire length; and
 - f. Are used within their rated capacity as determined for the maximum temperature of the installed environment specified in the instructions.
5. THIS PRODUCT MUST BE INSTALLED IN ACCORDANCE WITH THE APPLICABLE INSTALLATION CODE BY A PERSON FAMILIAR WITH THE CONSTRUCTION AND OPERATION OF THE PRODUCT AND THE HAZARDS INVOLVED.
6. Make sure below ELECTRICAL RATINGS are well followed:

Input Ratings				Photobiological rating
Voltage (VAC)	Frequency (Hz)	Max. Current (A)	Wattage (W)	
120-277	50/60	4.16	440	Risk group 2
347-480	50/60	1.44	440	Risk group 2

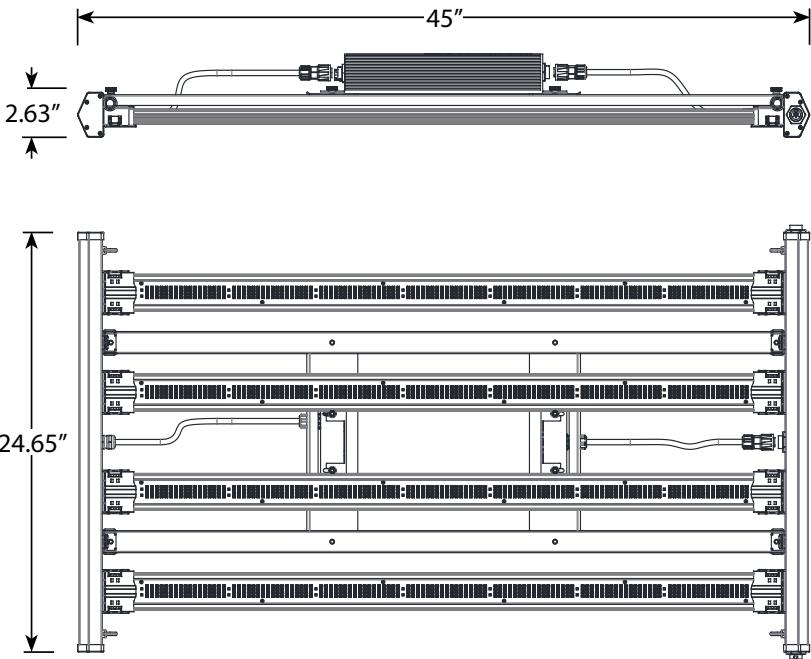
7. Warning:

RISK GROUP 2
CAUTION
UV emitted from this product. Eye or skin irritation may result from exposure. Use appropriate shielding.
<i>Product tested against IEC62471</i>

Package Contents

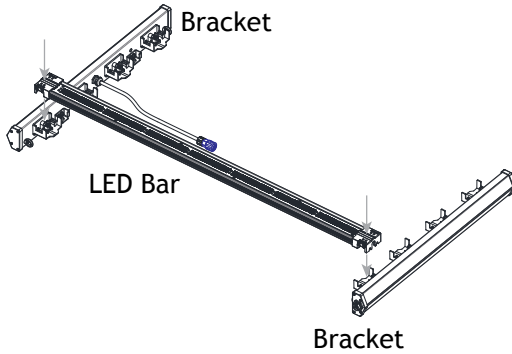
- A. (4) LED Bars
- B. (2) LED Bar Brackets
- C. (2) Support Bars
- D. (1) Driver Assembly
- E. (8) Lock Nuts
- F. (1) AC Power Cable
- G. (1) AC Power Cable with Plug
- H. (4) Lifting Ropes
- I. (2) Pulley Ropes

Product Dimensions





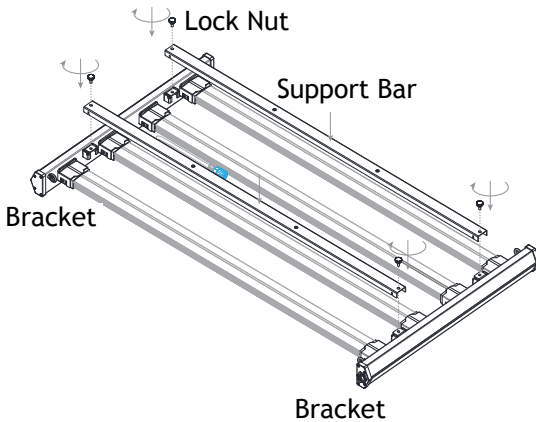
1 Install LED Bars



Place the two brackets on a flat working surface. Place the LED bar onto the brackets and press both ends down until they click. Repeat the process to assemble all LED bars onto the brackets.

Before the next step, check to make sure LED bars are secured.

2 Install Support Bars

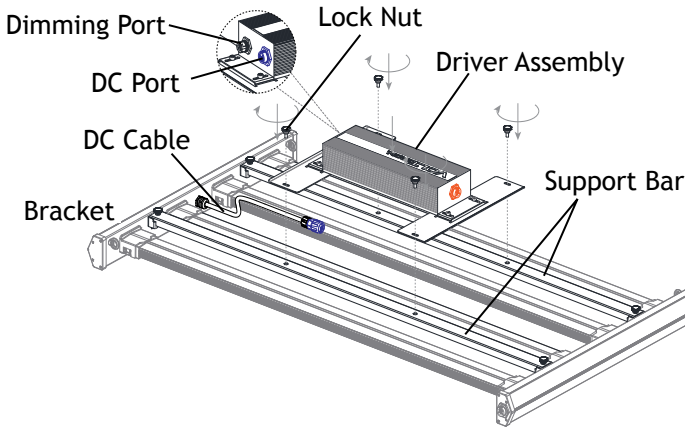


Flip the brackets over with the LED bars so that LED chips facing down. Attach the two support bars onto brackets and secure with the lock nuts. Hand tighten until snug.

3 Install Driver Assembly

OPTION 1: INSTALL DRIVER ASSEMBLY TO SUPPORT BARS

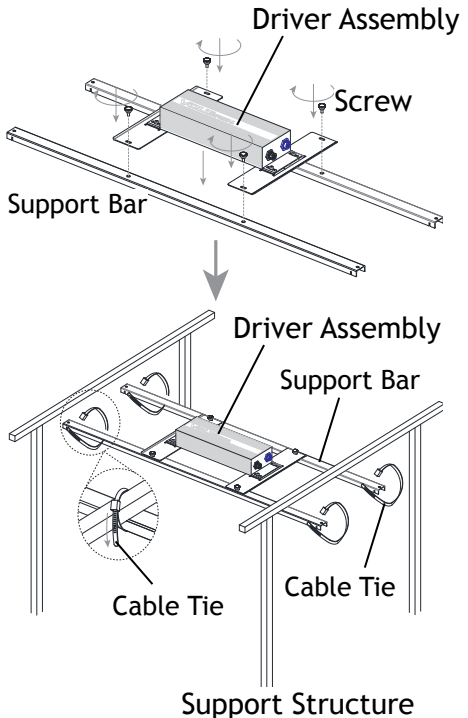
Place the driver assembly onto the support bars and make the DC ports align with the DC cable on the bracket. Secure the driver assembly with the lock nuts and hand tighten until snug.



OPTION 2: INSTALL DRIVER ASSEMBLY TO SUPPORT STRUCTURE OR WALL SURFACE

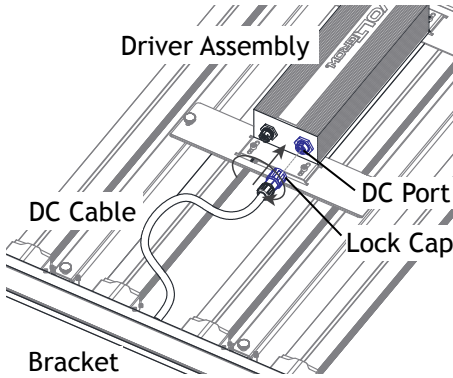
The driver assembly can be installed to a wall surface directly or install the driver assembly to the support bars first and then secure the support bars to the support structure with cable ties.

Note: The driver assembly must be installed near the LED fixture to make sure the AC and DC cables can be connected directly. If the DC cable is not long enough, please contact Volt customer service for extension cables (sold separately). The total length of series connections must be less than 78 inches (2m).



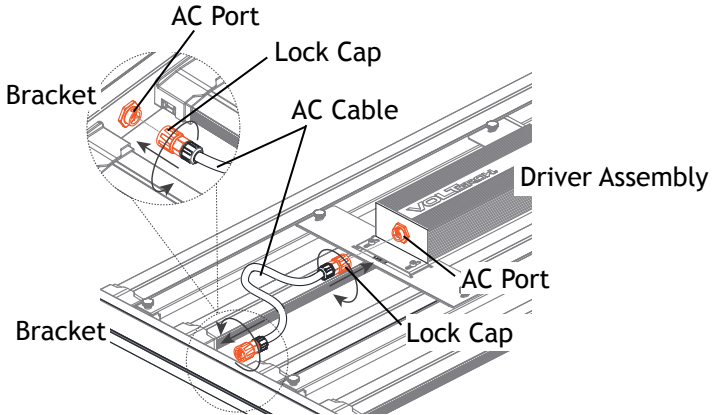


4 Connect DC Cable on the Bracket



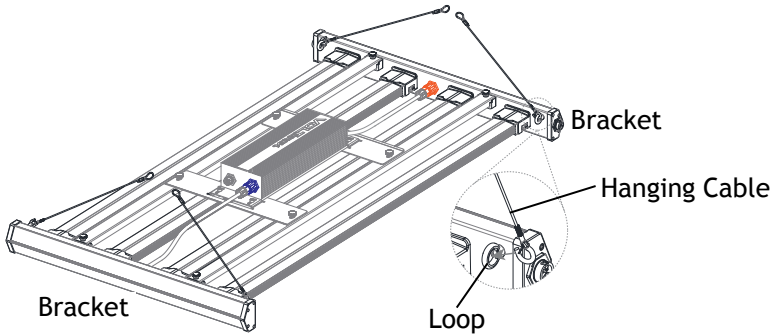
Connect the DC cable on the bracket to the DC port on the driver assembly. Tighten the lock cap on the connector.

5 Connect AC Power Cable



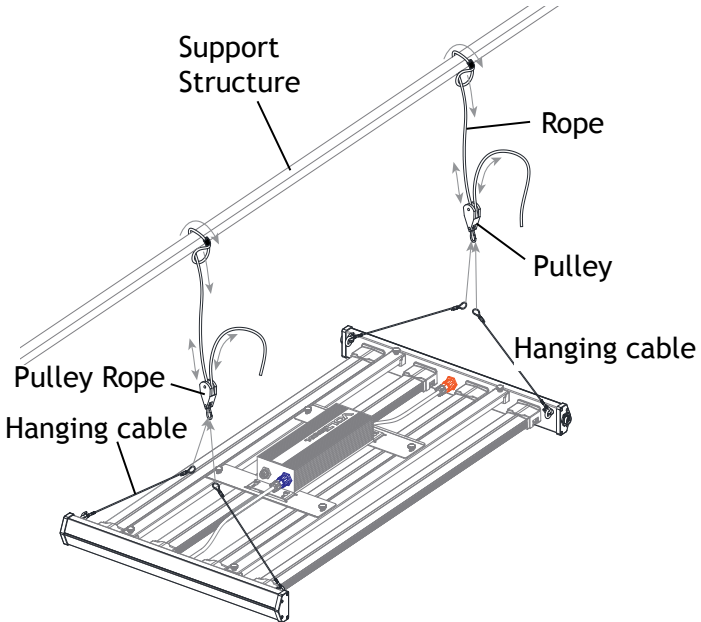
Connect one end of the AC power cable to the AC port on the bracket and connect the other end of the AC power cable to the AC port on the driver assembly. Tighten the lock caps on the connectors.

6 Connect the Hanging Cables



Attach the hook of the hanging cable to the loop on the bracket.

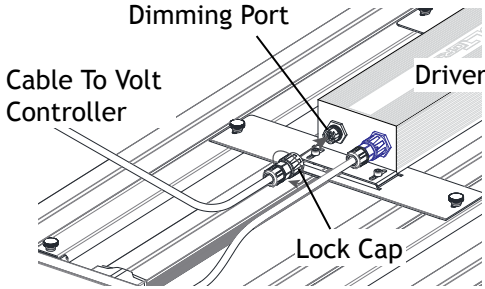
7 Install Pulley Ropes



Hang the pulley ropes to the support structure by wrapping the pulley rope around the support structure and make a knot at the end of the rope. Attach the two hanging cables to the same hook on one pulley rope. Attach the rest of the hanging cables to the same hook on the other pulley rope. Adjust the ropes length on the pulley to level the LED fixture. The minimum hanging height of the LED fixture to the top of the target is the 6 inches.



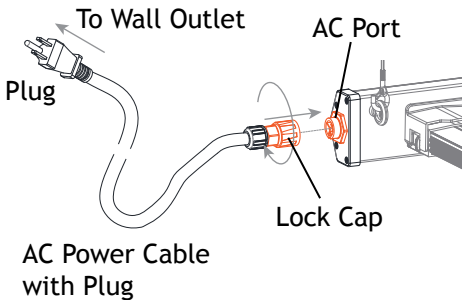
8 Connect Volt Controller to Driver



Connect the cable from Volt controller to dimming port on the driver. Tighten the lock cap.

Note: Only a Volt controller is recommended (sold separately). Contact Volt customer service to get more information.

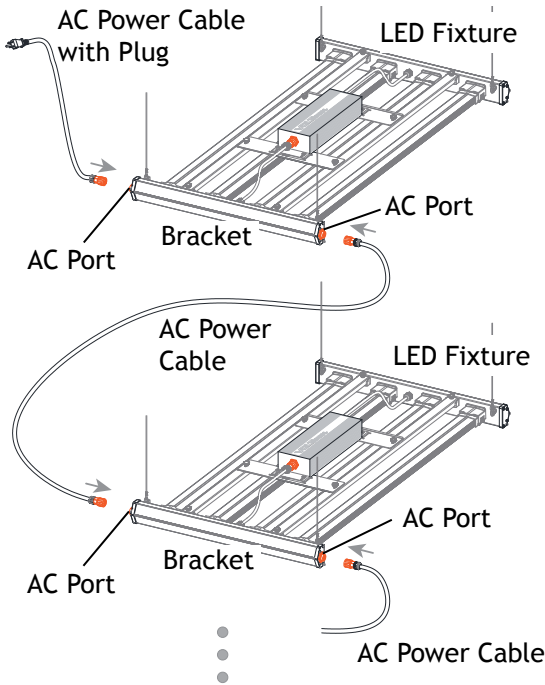
9 Install AC Power Cable with Plug



Connect the connector end of the AC power cable with plug to AC port on the bracket. Tighten the lock cap. Insert the plug on the other end of the AC power cord to the wall outlet.

Note: AC power cables vary according to input volts. For more information, contact our Volt customer services.

10 Connect Multiple LED Fixtures



Connect the connector end of the AC power cable to the AC port on the bracket of the first LED fixture. Connect the second LED fixture to the first LED fixture by connecting the ends of the AC power cable to the AC ports. Repeat this process to connect more LED fixtures.

Refer to the following table to determine maximum fixture connections.

NOTE: After final install rotate individual bars as needed.

Power Supply	Maximum Fixture Connection					
	120VAC	208VAC	240VAC	277VAC	347VAC	480VAC
440W Class Fixtures	4	6	7	8	10	13

Troubleshooting

Descriptions	Causes/Solutions
No light output.	<ol style="list-style-type: none"> Power cord isn't connected properly or connections are loose. <ol style="list-style-type: none"> Check the power cable connections.
Light burn or light stress (Green plants leaves or tips becoming yellow unnaturally.)	<ol style="list-style-type: none"> LED lights are too close to green plants. <ol style="list-style-type: none"> Move your LED lights further away from green plants immediately.



Help Hotline:

1-813-978-3700 • Mon-Fri 8am-8pm • Sat-Sun 10am - 6pm (EST)

www.voltlighting.com

Specifications and product details subject to change without notice.
© Copyright 2022, VOLT® Lighting, Lutz FL USA 33549 • All rights reserved.
customersupport@voltlighting.com • 813.978.3700