

# INSTALLATION INSTRUCTIONS



VOLT® Grow Light

FL-1

**Help Hotline:**

**1-813-978-3700 • Mon-Fri 8am-8pm • Sat-Sun 10am - 6pm (EST)**

Specifications and product details subject to change without notice.  
© Copyright 2020, VOLT® Lighting, Lutz FL USA 33549 • All rights reserved.  
customersupport@voltlighting.com • 813.978.3700



**! Important: Please Read Before Installation**

This luminaire is intended for installation in accordance with local codes and the National Electric Code (NEC). Failure to adhere to these codes and instructions may result in serious injury, property damage and void the warranty.

These instructions do not intend to cover all variations in installation, operation maintenance or mounting situations.

1. To avoid the damaging the LED chips, don't touch the LED chips with your hands or anything else during all the processes of opening the package, installing the fixture and maintaining the fixture.
2. Mounting and installing of the LED fixture may only be executed by certified service personnel, in accordance with the applicable local laws and regulations.
3. The installer is responsible for correct and safe installation.
4. Ensure the local cabling can support the voltage and current requirements of the LED fixture.
5. Avoid coiled cords and keep mains leads separated. This prevents electromagnetic interference.
6. Do not connect or disconnect the LED fixture under load.
7. Mount the system to something that can hold the weight of the LED fixture.
8. Ensure external switching gear can cope with the inrush current of the LED fixture. Always use a double pole contactor suitable for switching a capacitive load. Never use household timers to switch the LED fixture!
9. Ensure the power cord and the controller cables not to touch any of the LED rails after assembly.

**CAUTION:**

- UV emitted from this product.
- Possible hazardous optical radiation emitted from this product.
- IR Emitted from this product.

## Important Safety Instructions

### INSTRUCTIONS PERTAINING TO A RISK OF FIRE, OR INJURY TO PERSONS Lighted lamp is HOT!

WARNING - To reduce the risk of FIRE OR INJURY TO PERSONS.

1. Do not connect or disconnect the power cable or the controller cable to the LED fixture while under load.
2. Do not open or disassemble the LED fixture, it contains no serviceable parts inside. Opening or modifying the LED fixture can be dangerous and will void the warranty.
3. This product may cause interference to radio equipment and should not be installed near maritime safety communications equipment or other critical navigation or communication equipment operating between 0.45 - 30 MHz.
4. Do not use the LED fixture when either the LED fixture or its power cord are damaged. Replace the power cord only with original certified cords.
5. Modifications to the cords can lead to unwanted electromagnetic effects, which makes the product not comply with legal requirements.
6. Do not expose the LED fixture to:
  - ambient temperature outside the specified range;
  - dust and contamination;
  - direct sunlight during use or HID light that could heat up the ballast.
7. Storage environment: store the LED fixture in a dry and clean environment, with an ambient temperature of -4-180°F (-20-80°C).
8. Operating environment: a mechanical ventilation or cooling system is required to maintain the temperature within the growing space among 32-95°F (0-35°C) when the horticultural luminaire is in operation.
9. Always disconnect the LED fixture from mains before performing any maintenance.
10. Always allow for a cool down period of at least 30 minutes before touching the LED rails. Touching the LED rails when the fixture is lit or immediately afterwards can result in severe burns!
11. Do not use the LED fixture near flammable, explosive or reactive substances. Do not use sulfur vaporizers or water misters.
12. The installation and use of the LED fixture is the responsibility of the end user. Incorrect use or installation can lead to failure and damage to the LED fixture. Damage to the LED fixture and electronic circuitry as a result of incorrect installation and use revokes the warranty.
13. Regularly check the LED fixture for dust or dirt buildup. Clean if necessary. Contamination may cause overheating and decreased



## **! Important Safety Instructions (Continued)**

performance. Clean the outside of the LED fixture using a dry or damp cloth.

14. Regularly check the cables of the LED fixture to ensure it is undamaged.
15. These photobiological safety markings are based on testing of the light output characteristic of a single horticultural luminaire. Increased exposure risk to facility personnel may be present depending upon the number of horticultural luminaires and their placement and/or positioning within the plant growth facility.  
It is the responsibility of the plant growth facility to address these risks at the facility level and to ensure that people entering the plant growth areas while the lights are on, are aware of these risks and that appropriate safeguards are in place.
16. This grow light is suitable for damp location.

### **17. Installation and Operating Instructions**

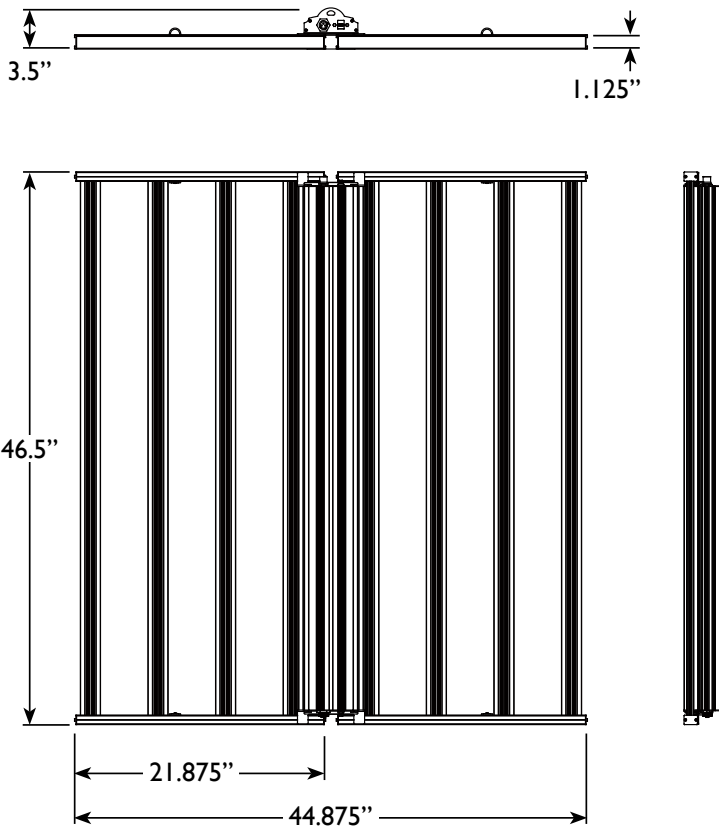
- a) The minimum required distances are 150mm, the distances include: between adjacent lighting equipment and between the lighting equipment and combustible materials such as walls, ceilings, movable partitions, and the like; and between lighting equipment and other heat generating equipment (providing these installation limitations are needed to prevent overheating of lighting equipment, other equipment, or combustible materials within the installation environment);
- b) Instructions specifying the method for connecting the lighting equipment to the branch circuit or to a remote power unit or both;
- c) For lighting equipment with cords or wiring harnesses, the cords:
  - 1) Are not concealed or extended through a wall, floor, ceiling, or other parts of the building structure;
  - 2) Are not located above a suspended ceiling or dropped ceiling;
  - 3) Are not permanently affixed to the building structure;
  - 4) Are routed so that they are not subject to strain and are protected from physical damage;
  - 5) Are visible over their entire length; and
  - 6) Are used within their rated ampacity as determined for the maximum temperature of the installed environment specified in the instructions.

SAVE THESE INSTRUCTIONS

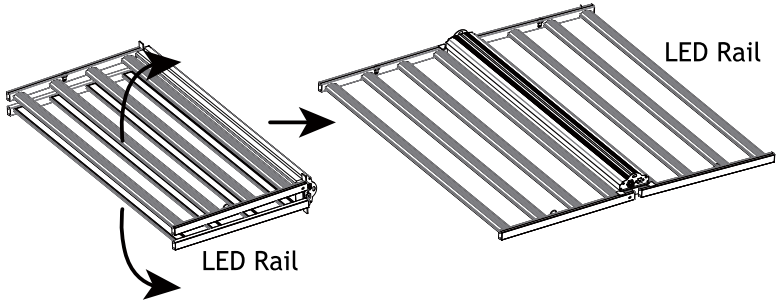
## Package Contents

- A. (1) LED Fixture
- B. (2) Hangers with Pulley Ropes
- C. (1) Power Cord

## Product Dimensions

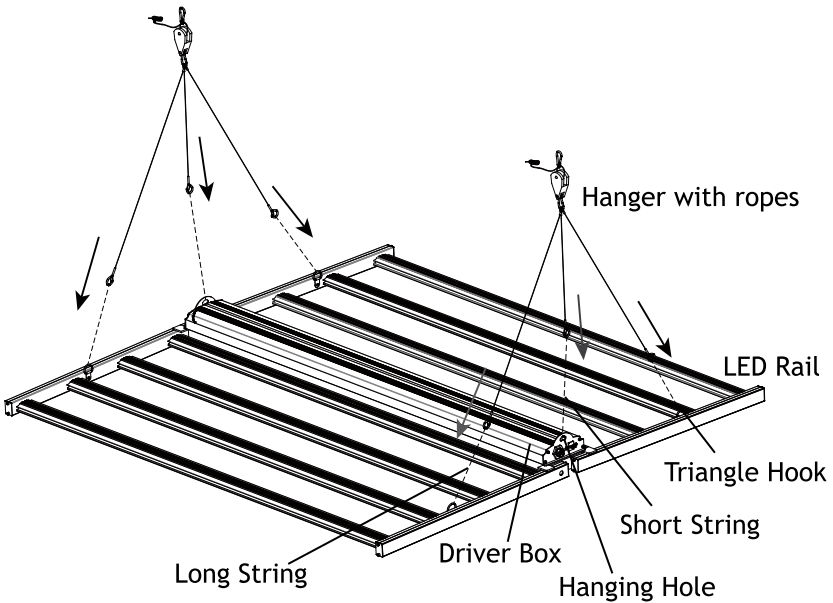


**1** Unfold LED Fixture



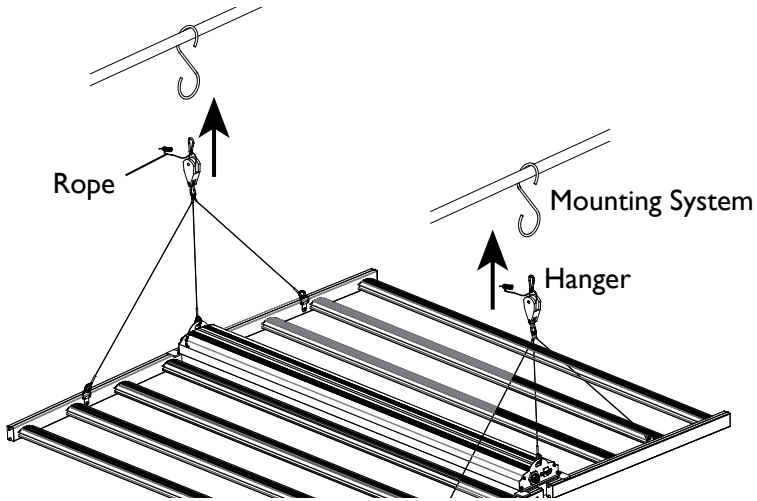
Unfold (2) LED rails to the same level.

**2** Install Light Hangers with Rods



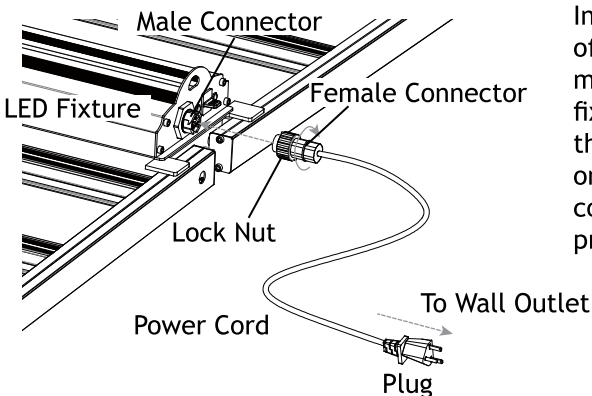
Attach the hangers of the long strings to the triangle hooks on the LED rails. Attach the hangers of the short strings to the hanging hole on the end of driver box.

### 3 Install Hangers with Ropes to Mounting System



Attach the hooks on the end of pulley ropes to the mounting system. To level the LED fixture hanging height by adjusting the ropes length on the hanger. The minimum hanging height of the LED fixture to the top of the target is the 6 inches.

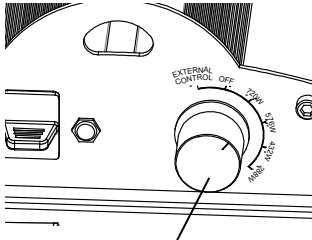
### 4 Connect Power Cord



Insert the female connector of the power cord to the male connector on the LED fixture and secure them with the lock nut. Insert the plug on another end of the power cord to the wall outlet properly.



## 5 Control with Dimmer Switch and Use the Light



Dimmer Switch

Rotate the switch on the side of the LED fixture to adjust the LED lumens (PPF) between 288W to 720W.

If you want to use an external controller to control your fixture, please consult with our customer service.

Now, you are ready to use and enjoy your grow light!

## Troubleshooting

Descriptions	Causes/Solutions
No light output.	<ol style="list-style-type: none"> <li>Power cord isn't connected properly or connections are loosen.                             <ul style="list-style-type: none"> <li>• Check the power cord connections.</li> </ul> </li> <li>If you use the LED fixture as a stand alone, the dimmer switch is on OFF mode.                             <ul style="list-style-type: none"> <li>• Adjust dimmer switch to 288W to 720W mode.</li> </ul> </li> </ol>
Controller Device doesn't work.	<ol style="list-style-type: none"> <li>Dimmer switch on the LED fixture isn't on EXTERNAL CONTROL mode.                             <ul style="list-style-type: none"> <li>• Adjust dimmer switch to EXTERNAL CONTROL position.</li> </ul> </li> <li>Controller cable isn't connected properly or connections are loosen.                             <ul style="list-style-type: none"> <li>• Check the controller cable connections.</li> </ul> </li> </ol>
Light burn or light stress (Green plants leaves or tips becoming yellow unnaturally. )	<ol style="list-style-type: none"> <li>LED lights are too close to green plants.                             <ul style="list-style-type: none"> <li>• Move your LED lights further away from green plants right away.</li> </ul> </li> <li>Too much lights.                             <ul style="list-style-type: none"> <li>• While using dimmer switch, adjust your dimmer switch to export less lights.</li> </ul> </li> </ol>