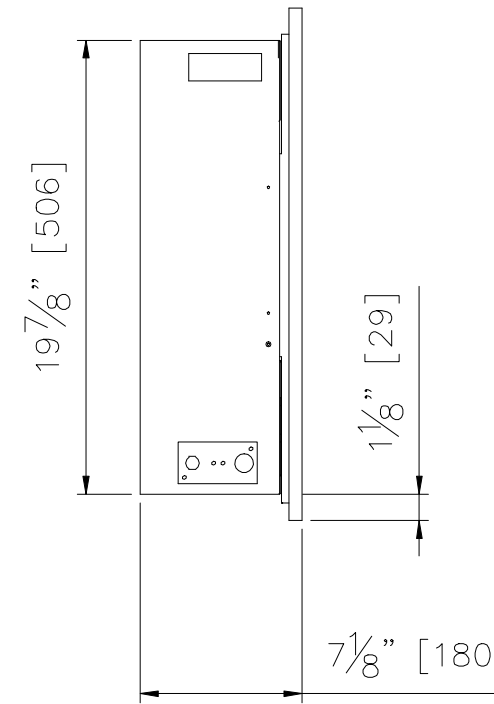
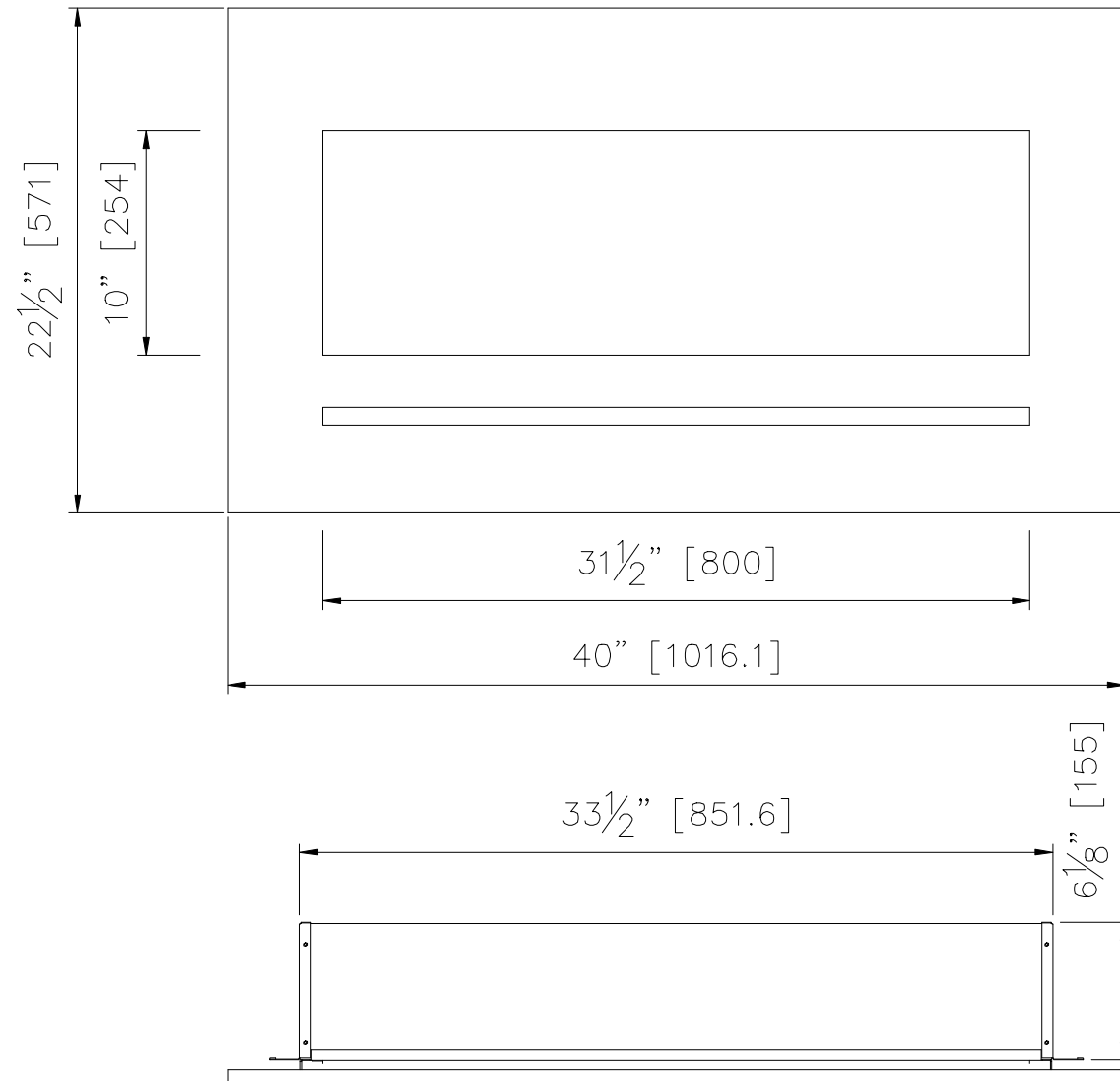



TECHNICAL SPECIFICATIONS

Description	Built-in or Wall Mount Appliance
Voltage	240V AC 50-60Hz
Watts	1900W Max
NO HEATER	25W
MOTOR HEATER	19W
Appliance Width	33 1/2" or 85.2 cm
Appliance Height	19 7/8" or 50.6 cm
Appliance Depth	6 1/8" or 15.5 cm
Gross Weight	63.1 lbs or 28.7 kg
Plug Location	Left side
Cord Length	70 7/8" or 180 cm
Rough Wall Opening Size	35" x 20 1/2" or 88.9 cm x 52 cm
BTU	6500



SERIES WM-FML-STL	MODEL WM-FML-34-4023-STL		REV 1
SCALE 1" = 1'-0"	DATE: 5/02/2018		SHEET 1 OF 1