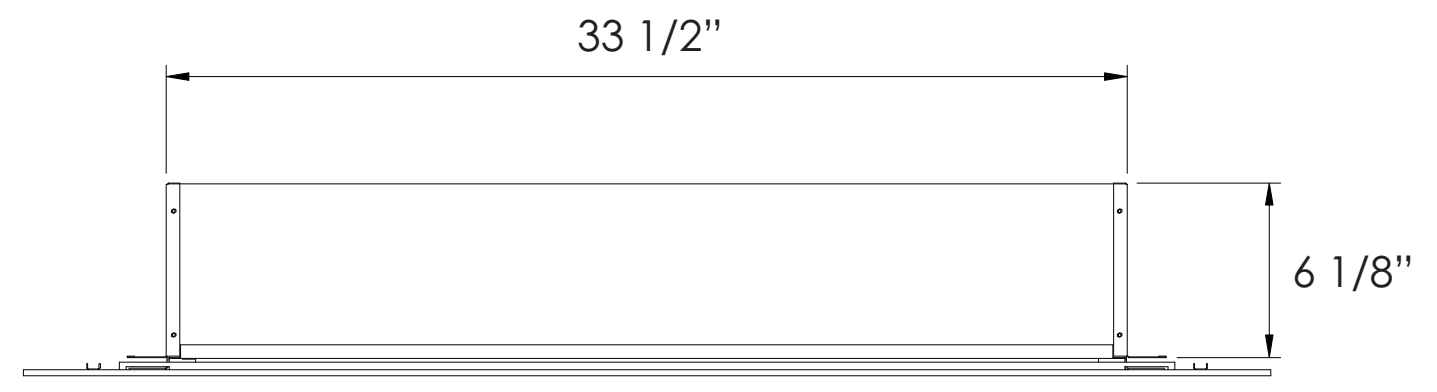
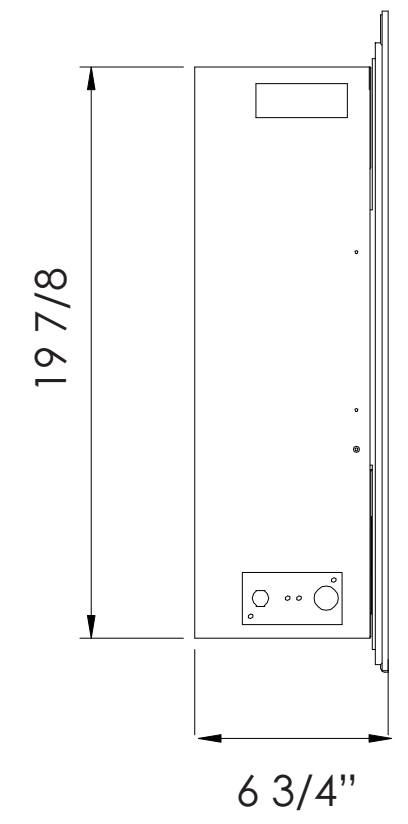
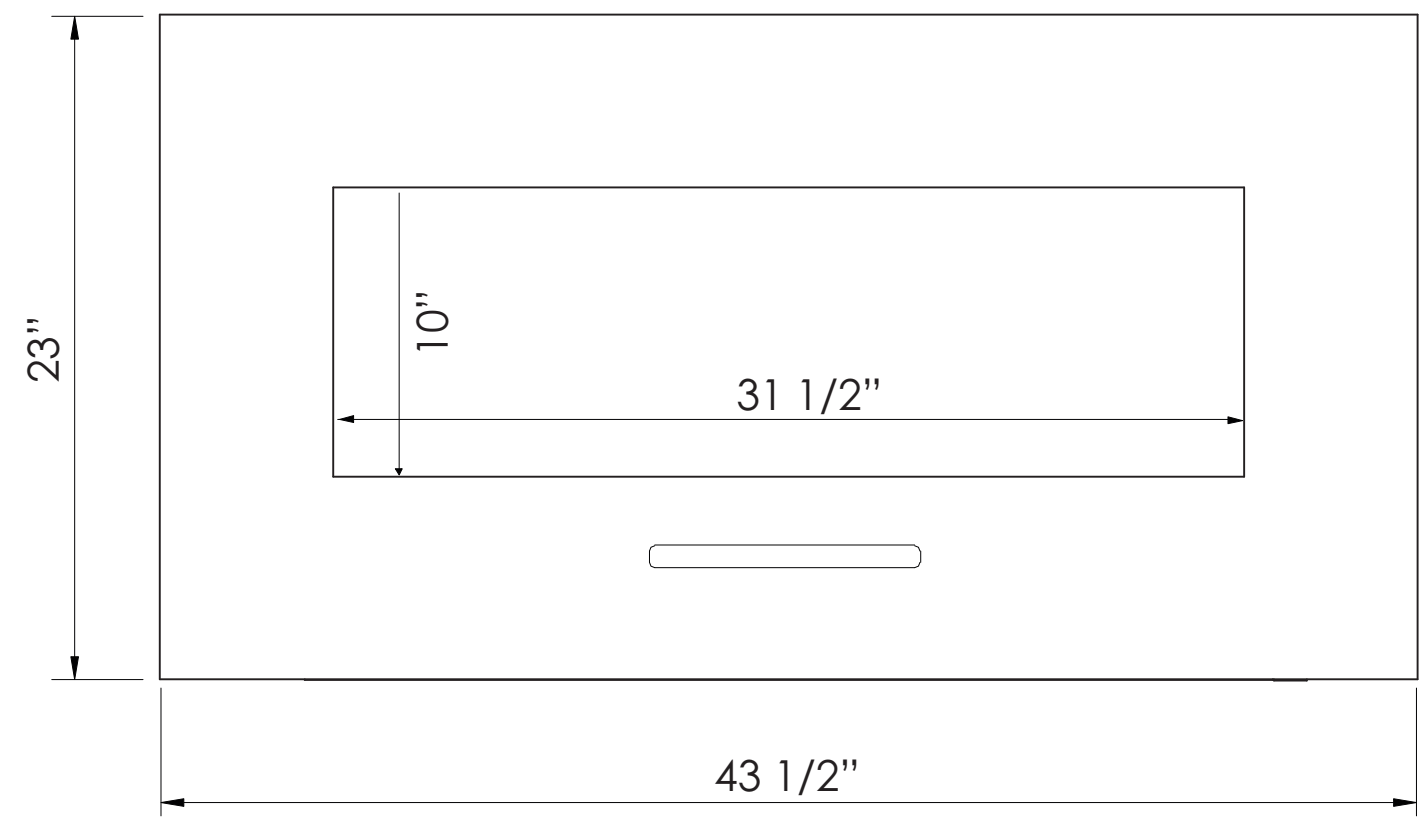



TECHNICAL SPECIFICATIONS

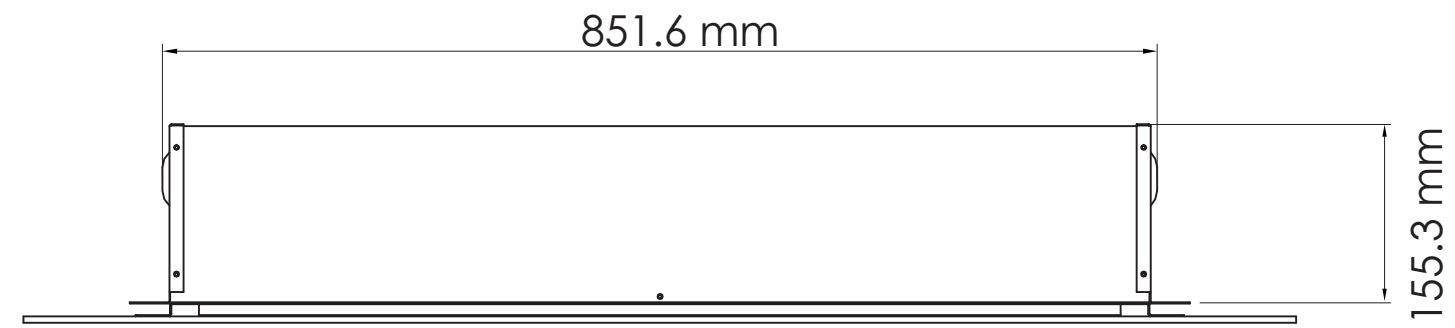
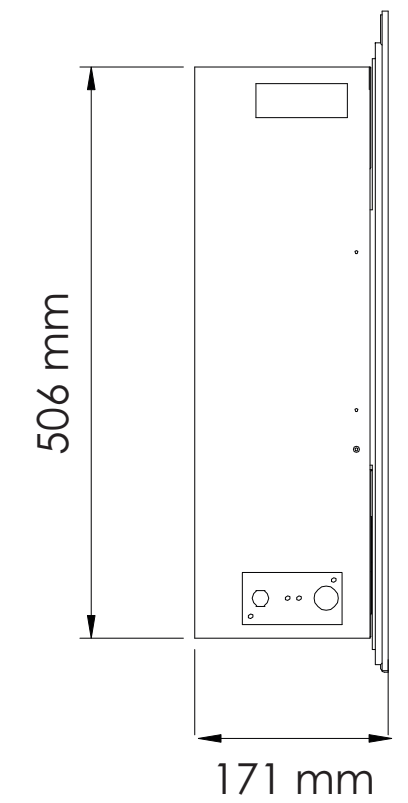
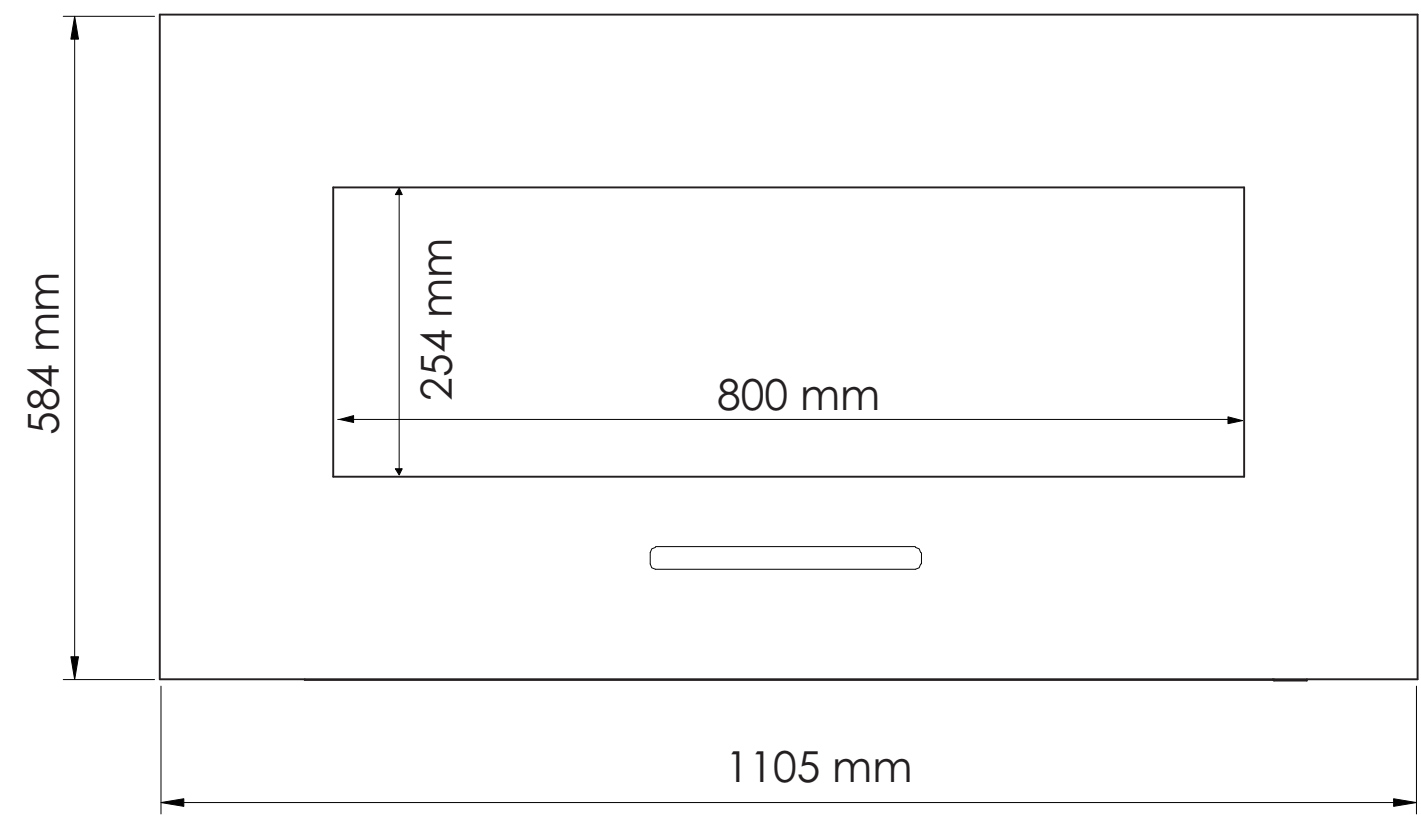
VOLTS	240	
AMPS	8	
WATTS	1900	
HEATER	HIGH	1900 watts
	LOW	900 watts
NO HEATER	35 watts	
LAMPS	QUANTITY	LED
	WATTS	
	TOTAL WATTS	15 watts
ROTOR MOTOR	1 at 4 watts	
HEIGHT, WIDTH, DEPTH	19 7/8 x 33 1/2 x 6 1/8"	
GLASS VIEWING OPENING	31 1/2 x 10	
GLASS SIZE	43 1/2 x 23	
SHIPPING SIZE	47 1/4 x 9 1/8 x 25 1/4	
SHIPPING WEIGHT	63.1 lbs	
	UNIT	
GLASS FRONT	Included	
PLUG LOCATION	Left Side	
CORD LENGTH	76"	
APPROX. HEATING AREA	400 sq ft	




SERIES WM-BI	MODEL WM-FM-34-4423-BG		REV 1
SCALE 1" = 1'-0"	DATE: 12/15/2015		SHEET 1 OF 1

TECHNICAL SPECIFICATIONS

VOLTS		240
AMPS		8
WATTS		1900
HEATER	HIGH	1900 watts
	LOW	900 watts
NO HEATER		35 watts
LAMPS	QUANTITY	LED
	WATTS	
	TOTAL WATTS	15 watts
ROTOR MOTOR		1 at 4 watts
HEIGHT, WIDTH, DEPTH		54.2 x 86.3 x 15.5 cm
GLASS VIEWING OPENING		80 x 25.4 cm
GLASS SIZE		110.5 x 58.4 cm
SHIPPING SIZE		120 x 23.1 x 64
SHIPPING WEIGHT		29 kg
	UNIT	
	GLASS FRONT	Included
PLUG LOCATION		Left Side
CORD LENGTH		193 cm
APPROX. HEATING AREA		37 sqm



SERIES WM-BI	MODEL WM-FM-34-4423-BG		REV 1
SCALE 1:12	DATE: 12/15/2015		SHEET 1 OF 1