

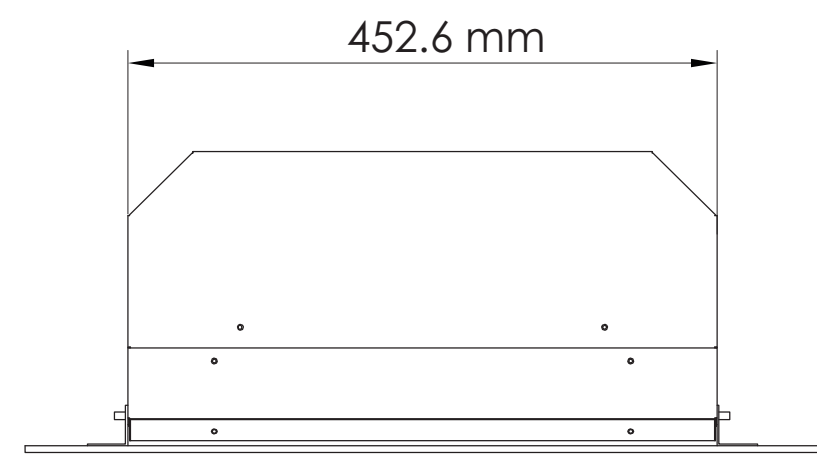
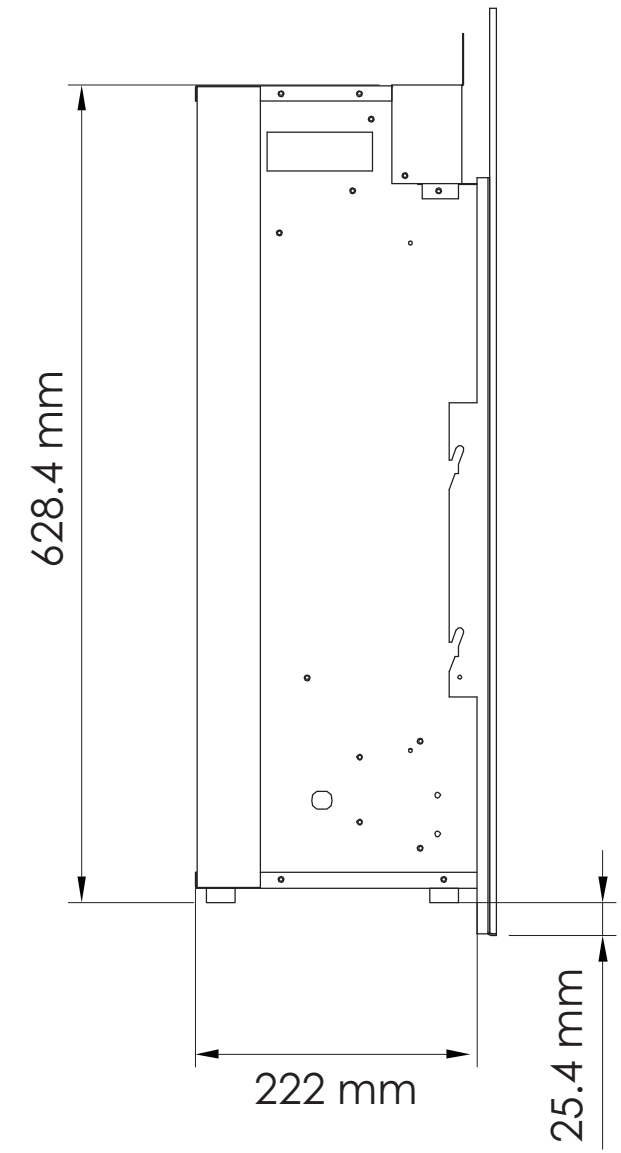
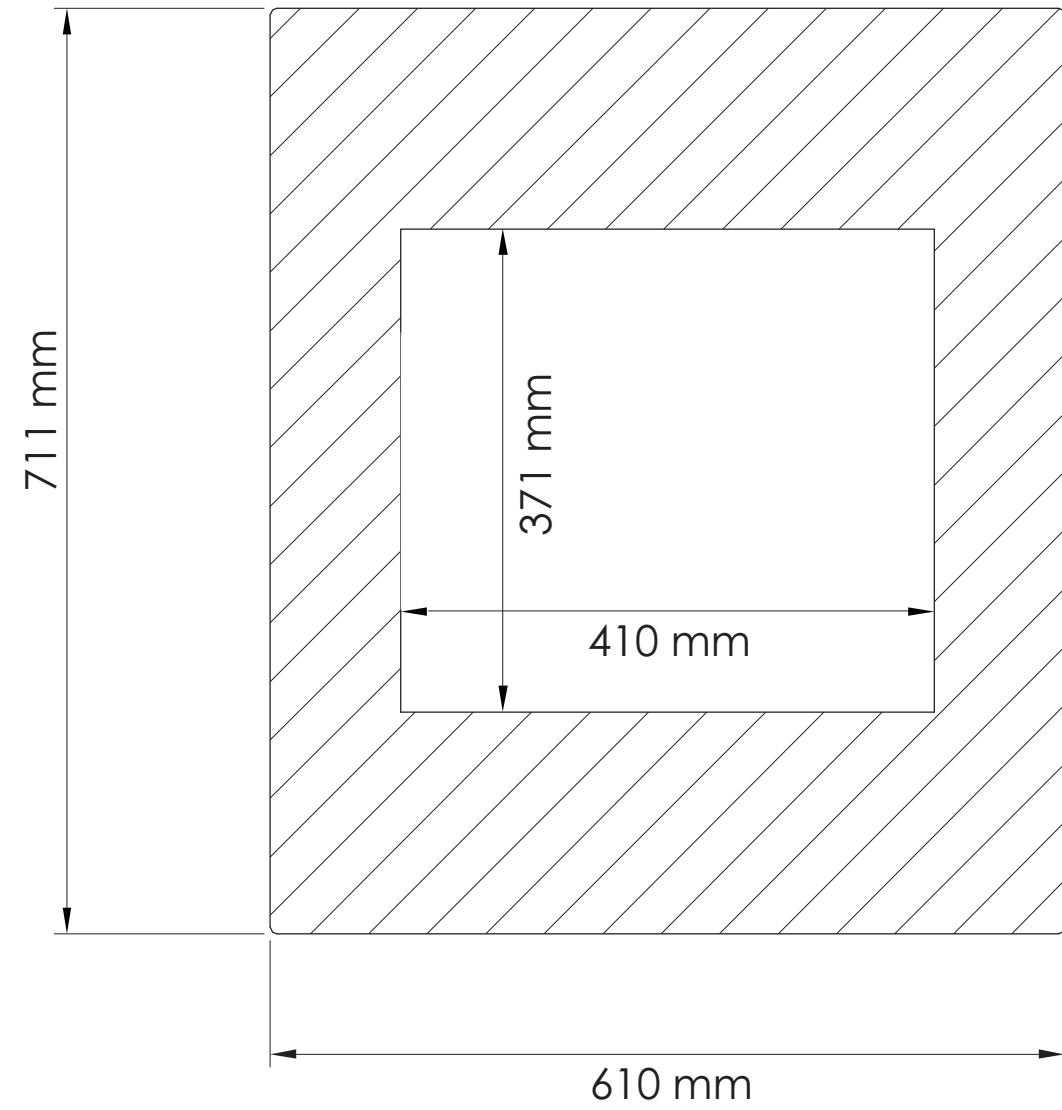


TECHNICAL SPECIFICATIONS		
VOLTS	240	
AMPS	8	
WATTS	1900	
HEATER	HIGH	1900 watts
	LOW	900 watts
NO HEATER	35 watts	
LAMPS	QUANTITY	LED
	WATTS	
	TOTAL WATTS	15 watts
ROTOR MOTOR	1 at 4 watts	
HEIGHT, WIDTH, DEPTH	24 3/4 x 17 7/8 x 8 3/4"	
GLASS VIEWING OPENING	16 1/8 x 14 5/8	
GLASS SIZE	24 x 28	
SHIPPING SIZE	31 x 12 x 27 3/8	
SHIPPING WEIGHT	UNIT	57.2 lbs
	GLASS FRONT	Included
PLUG LOCATION	Left Side	
CORD LENGTH	76"	
APPROX. HEATING AREA	400 sq ft	



SERIES WM-BI	MODEL WM-BI-2428-VLR		REV 1
SCALE 1" = 1'-0"	DATE: 12/1/2013	SHEET 1 OF 1	



TECHNICAL SPECIFICATIONS		
VOLTS	240	
AMPS	8	
WATTS	1900	
HEATER	HIGH	1900 watts
	LOW	900 watts
NO HEATER	35 watts	
LAMPS	QUANTITY	LED
	WATTS	
	TOTAL WATTS	15 watts
ROTOR MOTOR	1 at 4 watts	
HEIGHT, WIDTH, DEPTH	62.8 x 45.3 x 22.2 cm	
GLASS VIEWING OPENING	41 x 37.1 cm	
GLASS SIZE	61 x 71.1 cm	
SHIPPING SIZE	78.5 x 30.2 x 69.5cm	
SHIPPING WEIGHT	UNIT	26 kg
	GLASS FRONT	Included
PLUG LOCATION	Left Side	
CORD LENGTH	193 cm	
APPROX. HEATING AREA	37 sqm	



SERIES WM-BI	MODEL WM-BI-2428-VLR		REV 1
SCALE 1:12	DATE: 12/1/2013	SHEET 1 OF 1	