



## INSTALLATION AND OPERATION INSTRUCTIONS FOR

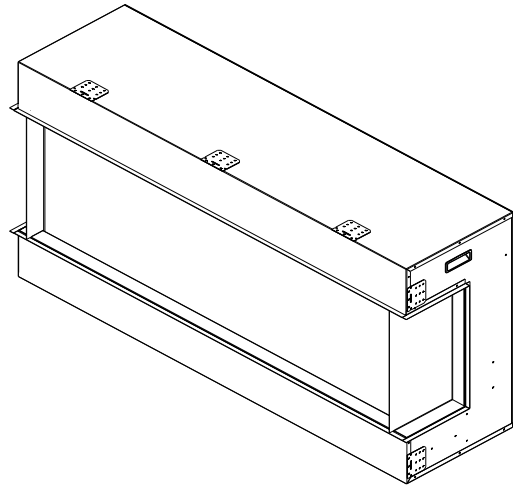
**40-TRV-XL-XT**

**50-TRV-XL-XT**

**60-TRV-XL-XT**

**72-TRV-XL-XT**

**88-TRV-XL-XT**



### SAFETY INFORMATION



#### WARNING

If the information in these instructions are not followed exactly, a fire or explosion may result causing property damage, personal injury or loss of life.

Do not store or use gasoline or other flammable vapors and liquids in the vicinity of this or any other appliance.

**INSTALLER: LEAVE THIS MANUAL WITH THE APPLIANCE.**

**CONSUMER: RETAIN THIS MANUAL FOR FUTURE REFERENCE.**

## TABLE OF CONTENTS

Please read and carefully follow all instructions found in this manual. Please pay special attention to the safety instructions provided in this manual. The instructions included here will assure that you have many years of dependable and enjoyable service from your Amantii product.

IMPORTANT INSTRUCTIONS.....	3
PLUG INSTALLATION .....	4
UNPACKING AND TESTING APPLIANCE .....	5
LOCATING THE FIREPLACE.....	5
40-TRV-XL-XT.....	6
50-TRV-XL-XT.....	7
60-TRV-XL-XT.....	8
72-TRV-XL-XT.....	9
88-TRV-XL-XT.....	10
SAFETY DRILL SCREW AREA .....	11
INSTALLATION.....	12
MEDIA OPTIONS.....	18
OPERATION.....	19
CARE AND MAINTENANCE .....	23
REPLACEMENT PARTS .....	24
EXPLODED VIEW .....	26
WIRING DIAGRAM.....	27
TROUBLE SHOOTING.....	28
SERVICE HISTORY.....	29
WARRANTY .....	30

## IMPORTANT INSTRUCTIONS

PLEASE RETAIN THIS USER GUIDE FOR FUTURE REFERENCE

When using electrical appliances, basic precautions should always be followed to reduce the risk of fire, electric shock, and injury to persons, including the following:

- 1) Read all instructions before using this fireplace
- 2) The fireplace is hot when in use. To avoid burns, do not let bare skin touch hot surfaces. Keep combustible material such as furniture, cushions, bedding, paper, clothes, curtains at least 3 feet from the front of the unit
- 3) Extreme caution is necessary when any heater is used near children and whenever the unit is left operating and unattended
- 4) Do not operate a fireplace with a damaged cord or plug, or if the heater has malfunctioned, the fireplace has dropped or damaged in any manner
- 5) Not all fireplaces are suitable for use in bathrooms or laundry facilities. Please consult with individual product literature to confirm suitability
- 6) Do not run the cord under carpeting. Do not cover cord with throw rugs, runners or the like. Arrange the cord away from traffic area and where it will not be tripped over
- 7) Do not modify this fireplace. Use it as described in the manual. Any other use not recommended by the manufacture may cause fire, shock or injury to persons
- 8) Do not use this heater with a programmer, timer, separate remote-control system or any other device that switches the heater on automatically, since a fire risk exists if the heater is covered or positioned incorrectly
- 9) Disconnect all power supply before cleaning, maintenance or relocation of the fireplace
- 10) Keep the heater clean. Do not allow any objects to enter any ventilation or exhaust opening as this may cause electric shock, fire or damage to the heater
- 11) Do not immerse the cord, plug or any part of the appliance in water or any other liquid
- 12) In order to avoid a hazard due to inadvertent resetting of the thermal cut-out, this appliance must not be supplied through an external switching device

**CAUTION:** Procedures and techniques, which, if not carefully followed, will result in damage to the equipment.

**WARNING:** Procedures and techniques, which, if not carefully followed, will expose the user to the risk of fire, serious injury, illness or death.

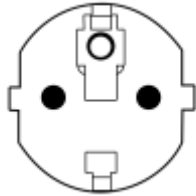
## PLUG INSTALLATION

Your power cord will come separate from the unit, please locate it when unpacking your fireplace. The plug contained inside the box is predetermined at the factory and according to orders placed by authorized dealers.

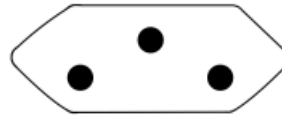
Available are UK, European, Swiss & Australian plugs. Should you require any of these options please contact your dealer for purchase. You will be required to give them the correct part number as listed below.



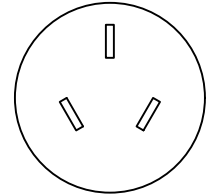
UK plug  
10103060E



European plug  
10103030E



Swiss plug  
10103109E



Australian plug  
10103087F

**Please following the instructions to correctly install the plug into your fireplace.**

1. Included in the box will be a power cord similar to the one pictured below. See Picture 1.



Picture 1



Picture 2

2. Hold the male plug and insert it into the female receptacle. The receptacle is locate on the left side if the fireplace.



3. Please make sure the plugs are firmly connected. See Picture 2 above.

## UNPACKING AND TESTING APPLIANCE

Carefully remove the appliance from the box. Prior to installing the appliance, test to make sure the appliance operates properly by plugging the power supply cord into a conveniently located 240 Volt grounded outlet.

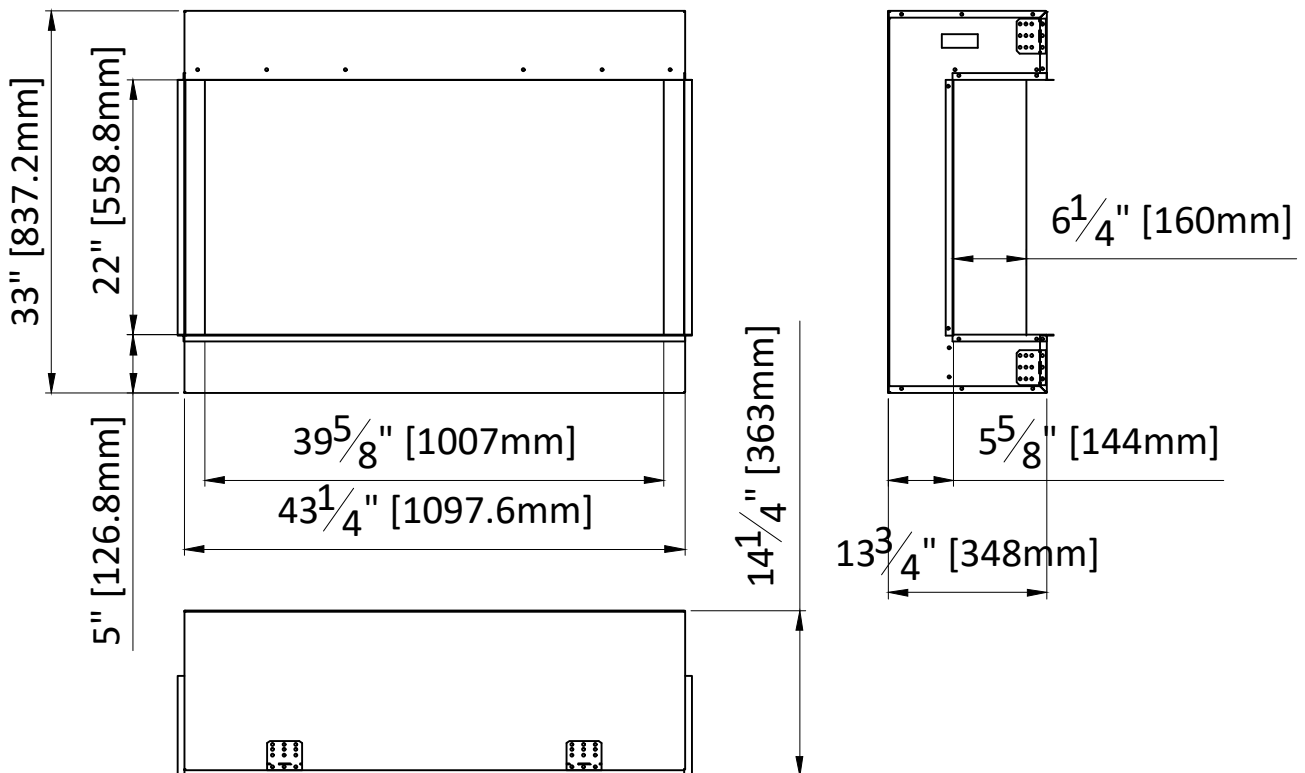
## LOCATING THE FIREPLACE

Plan where to locate and frame the fireplace. This will save time and money later when you install the fireplace. Before installation consider the following:

1. Where the fireplace is located must allow for wall and ceiling clearances (see INSTALLATION)
2. Consider a location where the fireplace screen will not be exposed to direct sunlight from windows or doors.
3. A 15 ampere, 240 Volt, 50 Hz branch circuit with proper ground must be available at the location. Preferably a dedicated branch circuit should be provided to avoid circuit breakers to trip or fuses to blow.

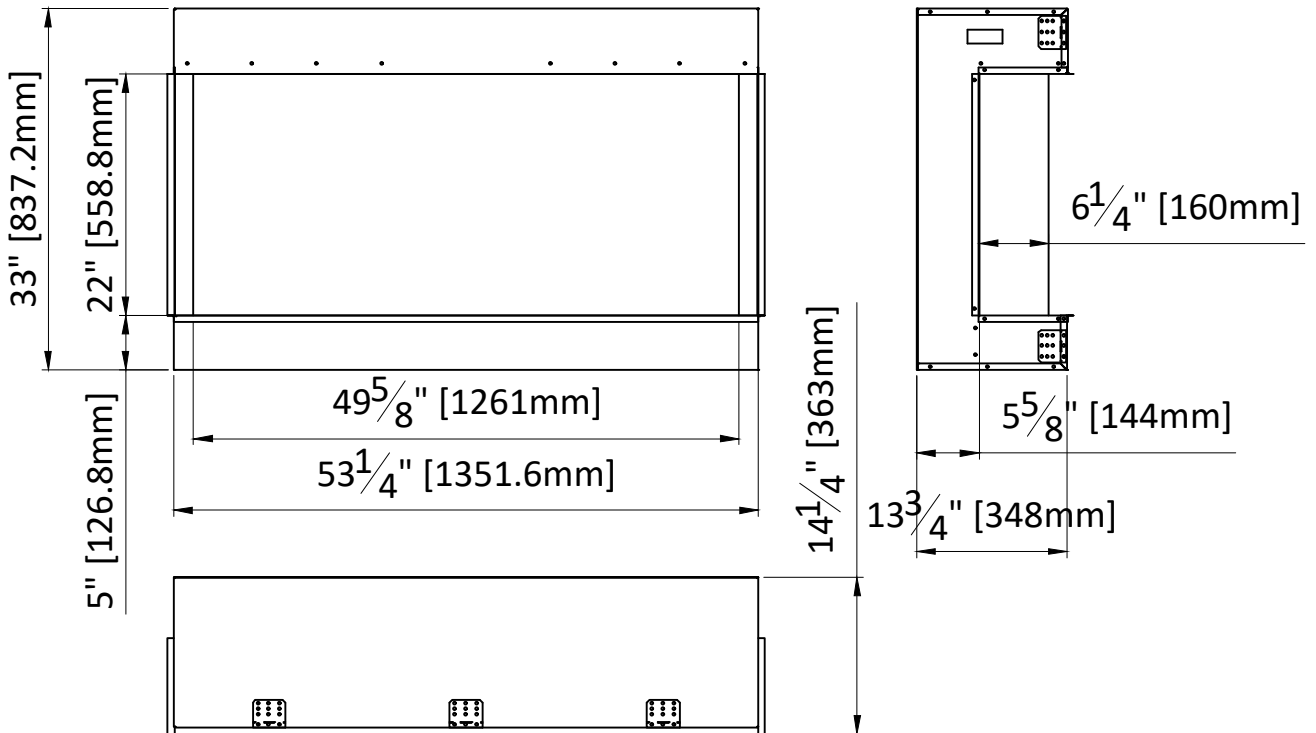
## 40-TRV-XL-XT

Description	Built-in Appliance
Voltage	240V AC 50-60Hz
Watts	1900W Max
NO HEATER	25W
MOTOR HEATER	19W
Appliance Width	43 1/4" or 109.8 cm
Appliance Height	33" or 83.7 cm
Appliance Depth	13 3/4" or 34.8 cm
Gross Weight	125.7 lbs or 57 kgs
Plug Location	Left side
Cord Length	70 7/8" or 180 cm
Rough Wall Opening Size	43 3/4" × 34" or 111.1 cm × 86.4 cm
BTU	6500



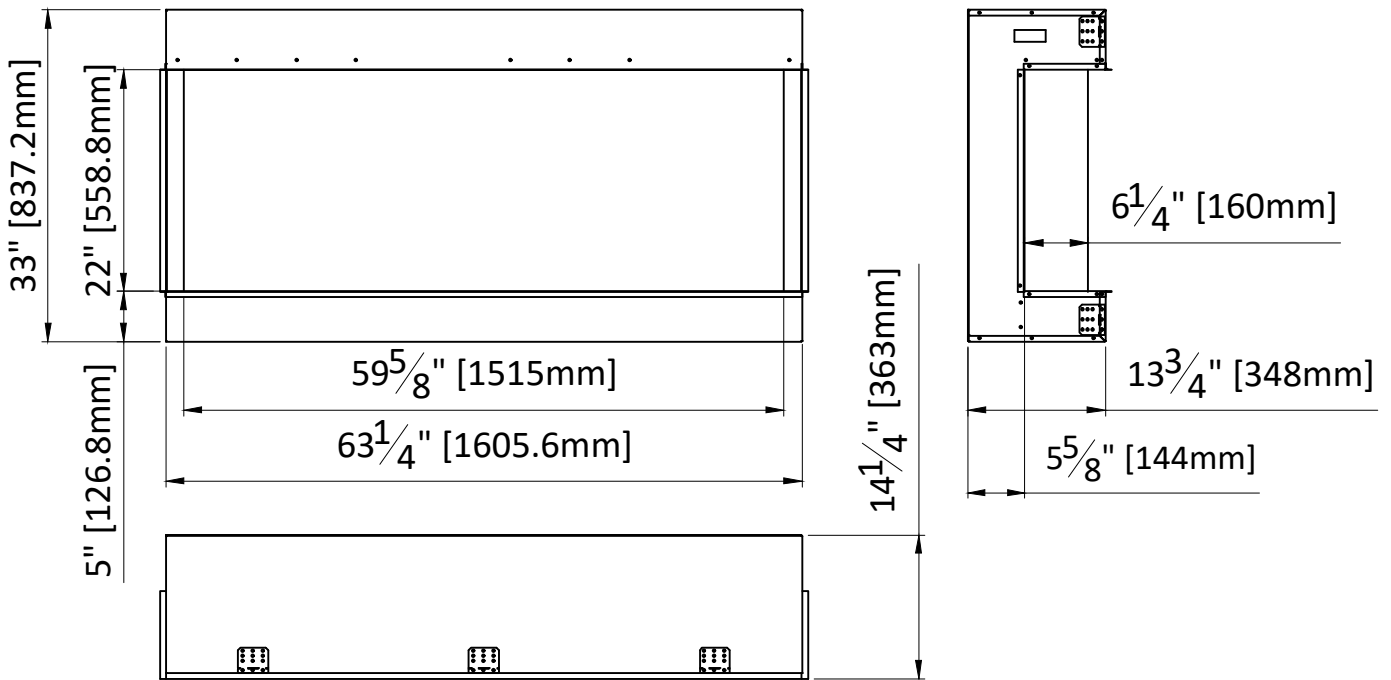
# 50-TRV-XL-XT

Description	Built-in Appliance
Voltage	240V AC 50-60Hz
Watts	1900W Max
NO HEATER	25W
MOTOR HEATER	19W
Appliance Width	53 1/4" or 135.2 cm
Appliance Height	33" or 83.7 cm
Appliance Depth	13 3/4" or 34.8 cm
Gross Weight	147.7 lbs or 67 kgs
Plug Location	Left side
Cord Length	70 7/8" or 180 cm
Rough Wall Opening Size	53 3/4" × 34" or 136.5 cm × 86.4 cm
BTU	6500



# 60-TRV-XL-XT

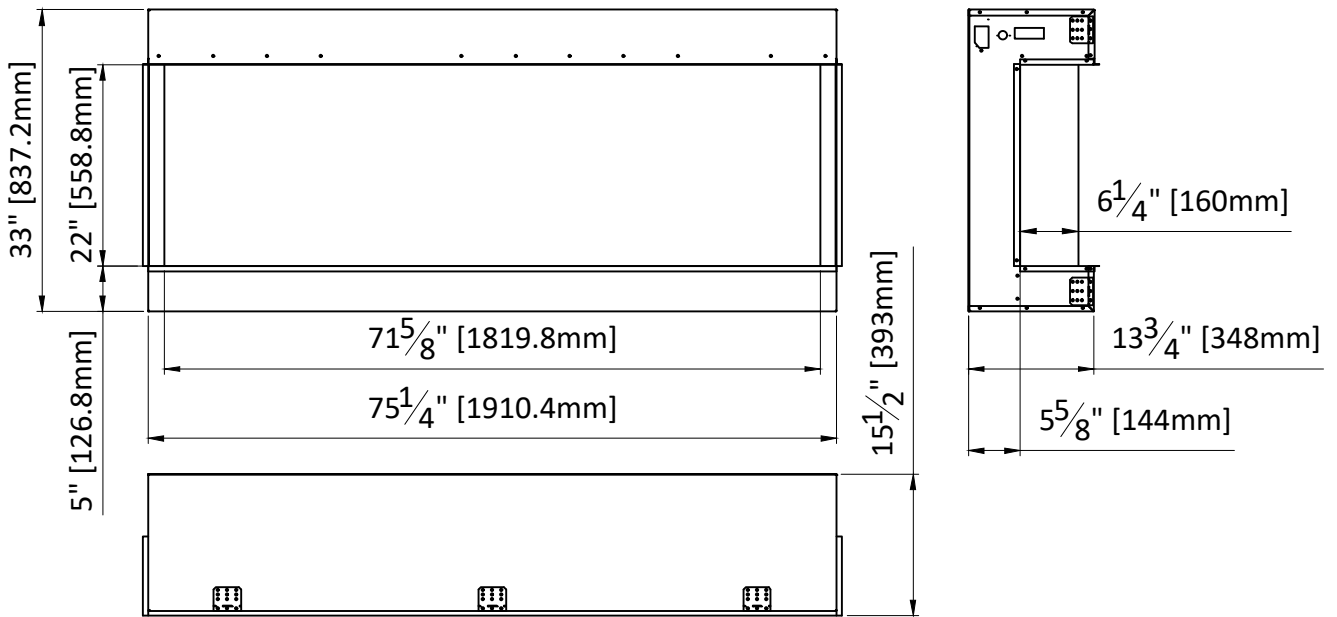
Description	Built-in Appliance
Voltage	240V AC 50-60Hz
Watts	1900W Max
NO HEATER	25W
MOTOR HEATER	19W
Appliance Width	63 1/4" or 160.6 cm
Appliance Height	33" or 83.7 cm
Appliance Depth	13 3/4" or 34.8 cm
Gross Weight	169.8 lbs or 77 kgs
Plug Location	Left side
Cord Length	70 7/8" or 180 cm
Rough Wall Opening Size	63 3/4" × 34" or 161.9 cm × 86.4 cm
BTU	6500





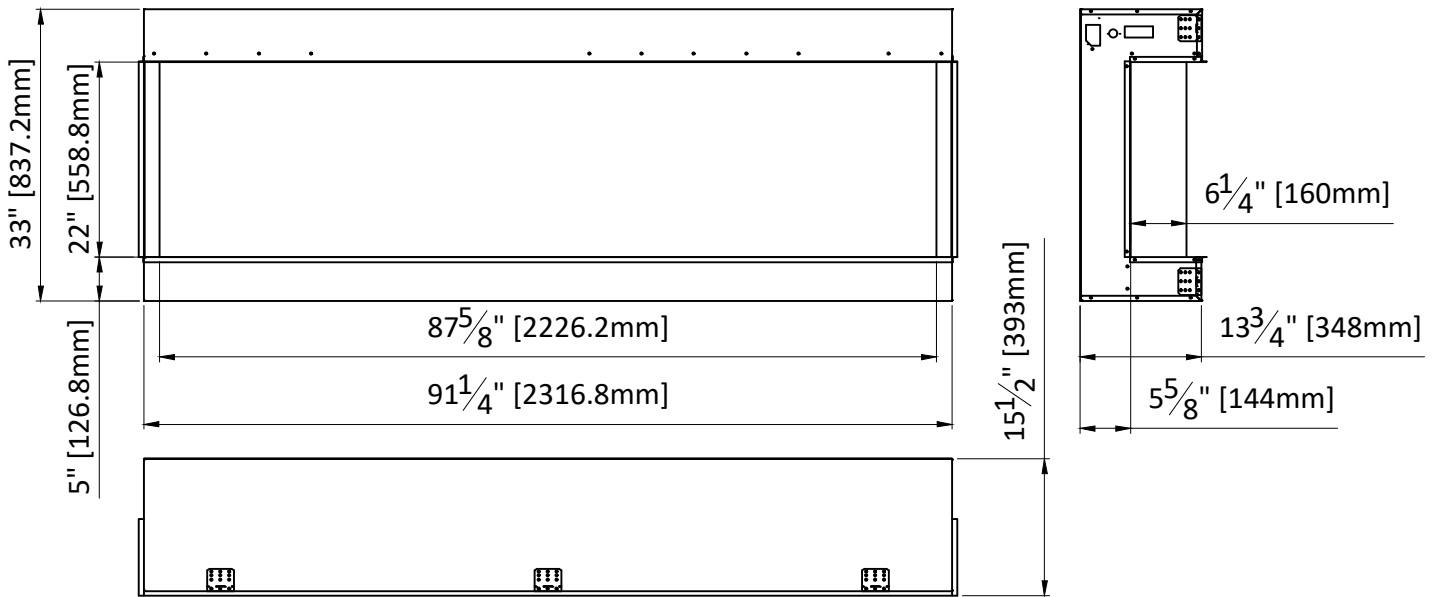
## 72-TRV-XL-XT

Description	Built-in Appliance
Voltage	240V AC 50-60Hz
Watts	1900W Max
NO HEATER	25W
MOTOR HEATER	19W
Appliance Width	75 1/4" or 191 cm
Appliance Height	33" or 83.7 cm
Appliance Depth	13 3/4" or 34.8cm
Gross Weight	200.6 lbs or 91 kgs
Plug Location	Left side
Cord Length	70 7/8" or 180 cm
Rough Wall Opening Size	75 3/4" × 34" or 192.4 cm × 86.4 cm
BTU	6500



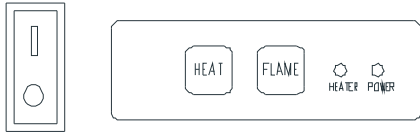
# 88-TRV-XL-XT

Description	Built-in Appliance
Voltage	240V AC 50-60Hz
Watts	1900W Max
NO HEATER	25W
MOTOR HEATER	19W
Appliance Width	91 1/4" or 231.7 cm
Appliance Height	33" or 83.7 cm
Appliance Depth	13 3/4" or 34.8 cm
Gross Weight	231.5 lbs or 105 kgs
Plug Location	Left side
Cord Length	70 7/8" or 180 cm
Rough Wall Opening Size	91 3/4" × 34" or 233 cm × 86.4 cm
BTU	6500

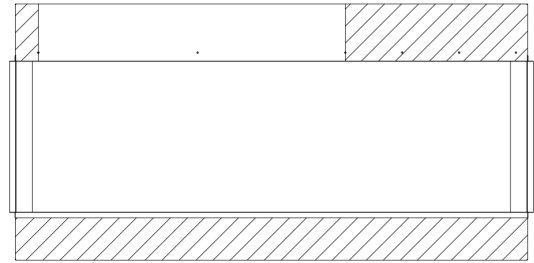


## SAFETY DRILL SCREW AREA

There is a safety drill screw area as show below.  
Please make sure that the fix screws are in this area.



The manual control pad position



Safety drill screw area  
(Dark area)

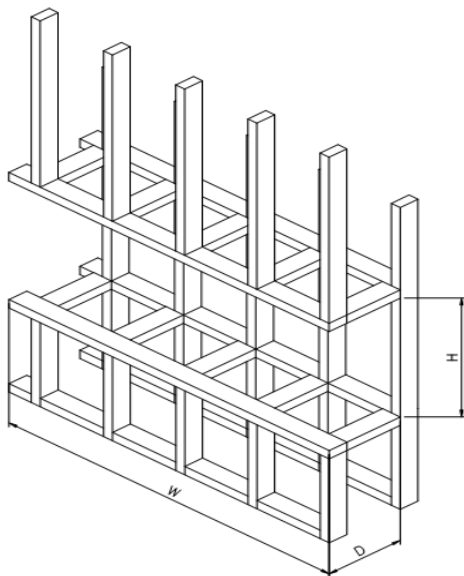
## INSTALLATION

The TRV-XL-XT models are designed to be built-in and allow for the finishing material (drywall, stone, tile, etc) to be built right down to the glass edge.

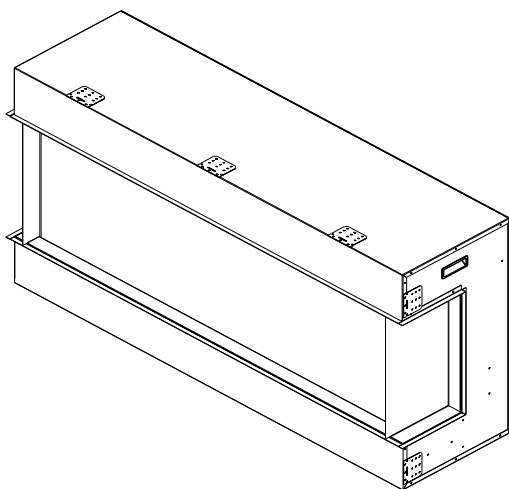
The rough wall opening size of the fireplace:

NOTE: Due to the many different materials used on different walls, it is highly recommended that you consult your local builder before you install this appliance.

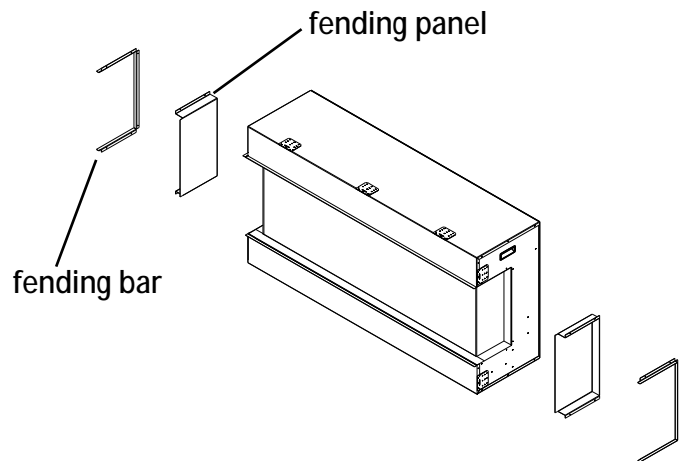
	W( " )	D( " )	H( " )
40-TRV-XL-XT	43 3/4	14 1/4	34
50-TRV-XL-XT	53 3/4	14 1/4	34
60-TRV-XL-XT	63 3/4	14 1/4	34
72-TRV-XL-XT	75 3/4	14 1/4 </td <td>34</td>	34
88-TRV-XL-XT	91 3/4	14 1/4	34



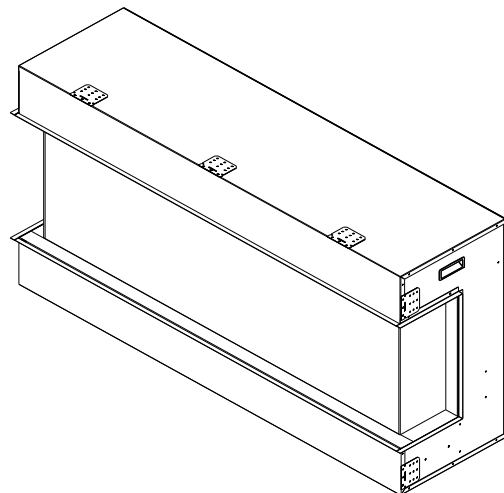
1. Product is fixed with fending bars and panels on the left and right side.



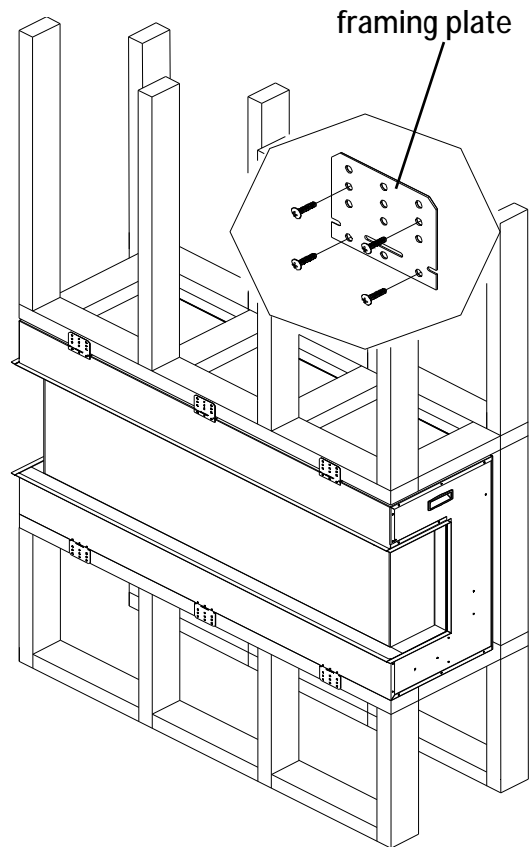
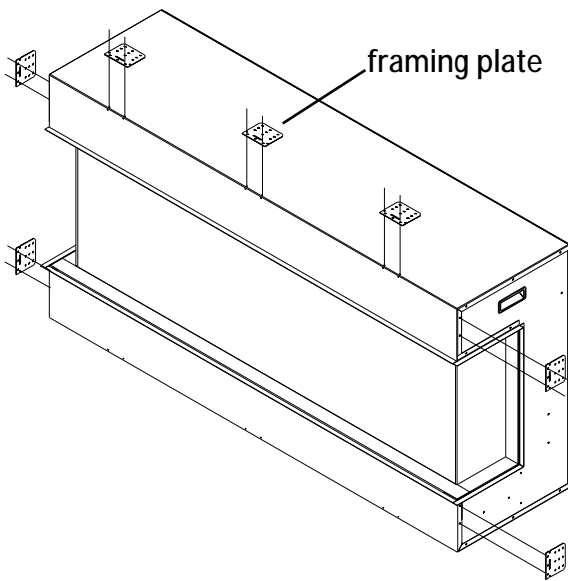
2. Take off the fending bars and panels if you want to view the fire from three angles.



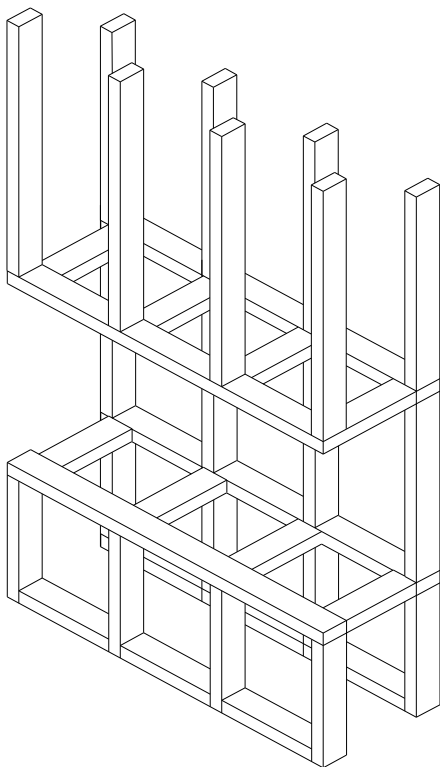
3. Screw back the fending bar after the panel is removed.



4. Remove the framing plates from the fireplace and fix them as the picture shows. NOTE: After removing framing plates on the left and right sides, screw back the screws.

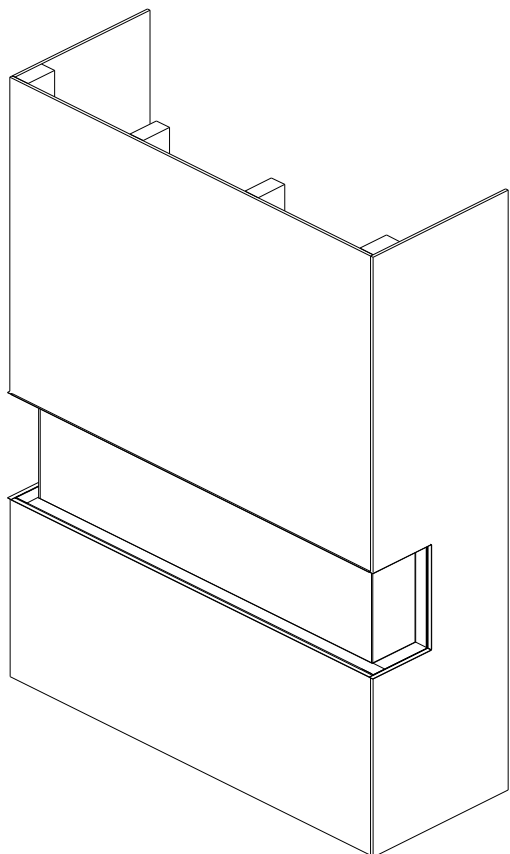


5. Make an opening for the fireplace according to requested measurement.

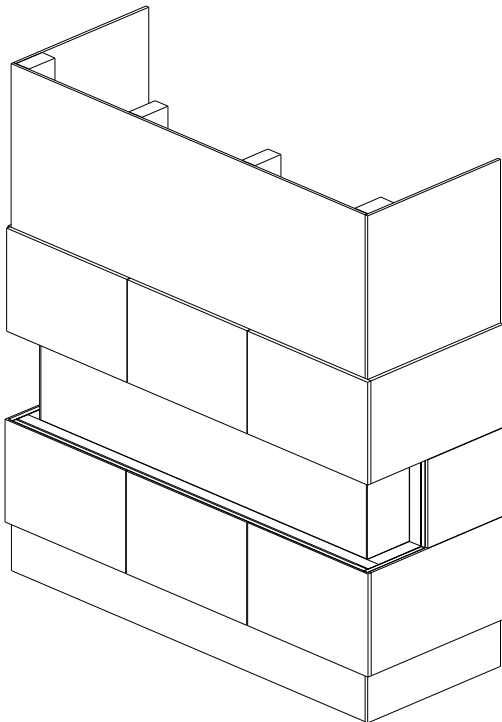


7. After checking that the fireplace operates properly, cover the glass panels with protective plastic bag and install plywood or drywall.

6. Insert the fireplace into the wall opening. Drive the mounting screws into the frame plates on the unit and the wall studs. To fix the bottom of the fireplace and the wall studs with the framing plates that you've removed from left and right side of the fireplace at STEP 4. Plug in and check if the fireplace works.

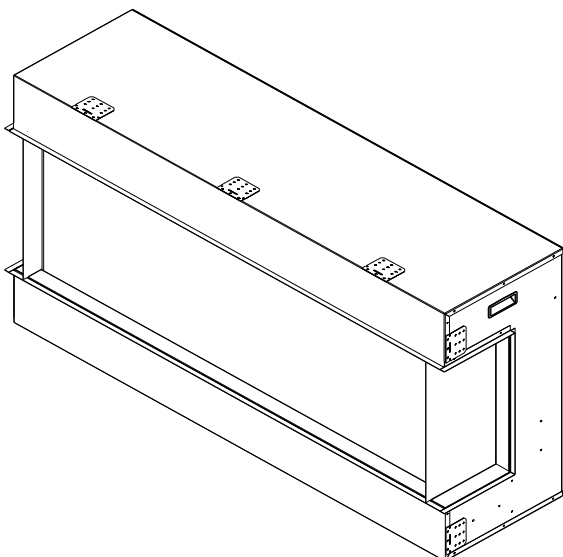


- Decorate the plywood or drywall with glazed tile, wallpaper, etc.

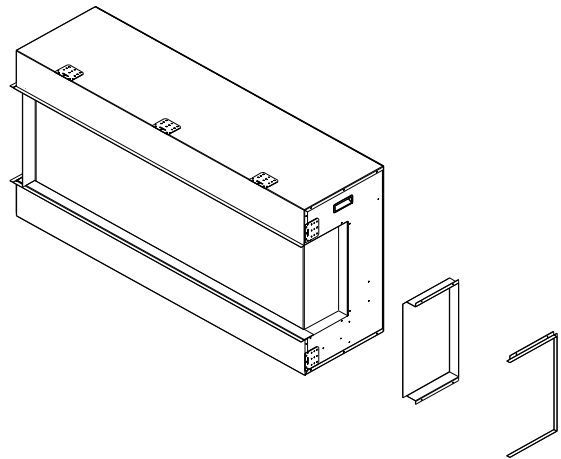


### Installation for Front and right side Viewing

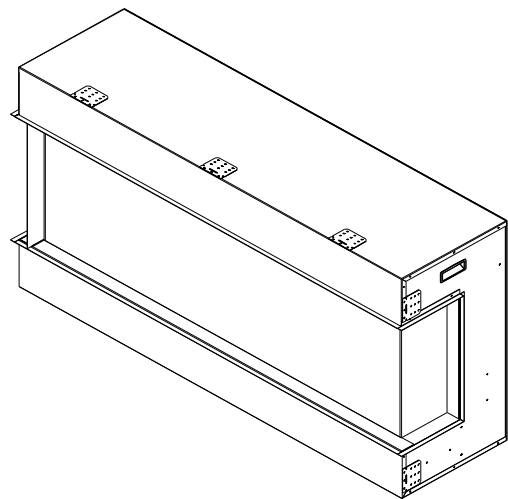
- To install the fireplace where the left side is close to a wall, and you want to view the fire from front and right side, take off the fending panel on the right.



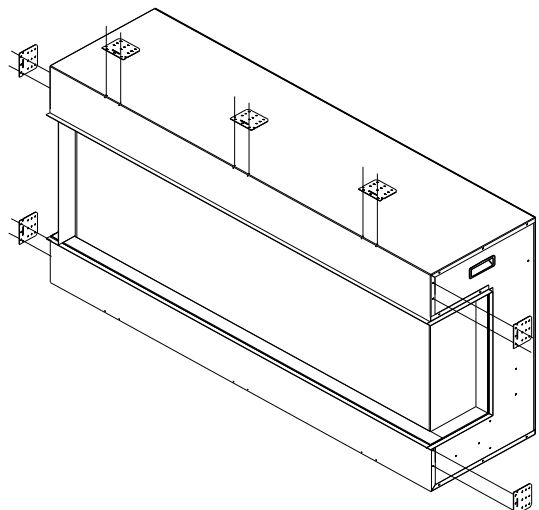
- Unscrew 7 screws on the right side that fix the fending bar and panel and then take off the fending bar and panel.



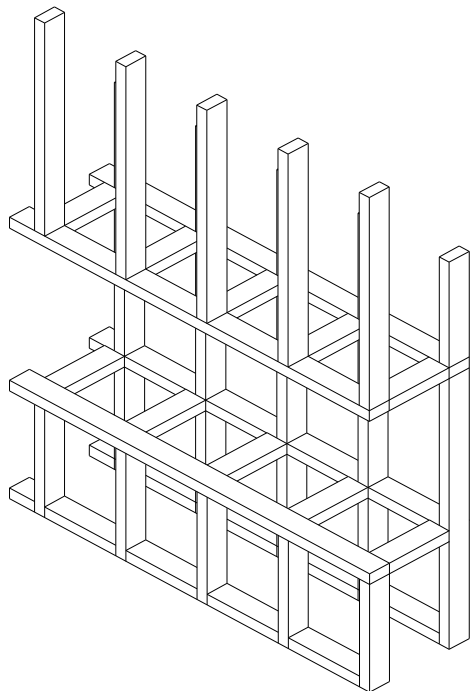
- After the fending panel is removed, screw back the bar.



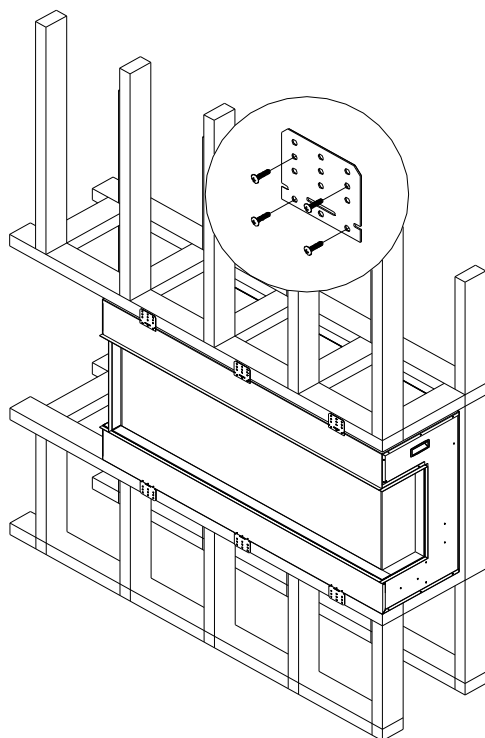
- Remove the framing plates from the fireplace and fix them as the picture shows. NOTE: After removing framing plates on the left and right sides, screw back the screws.



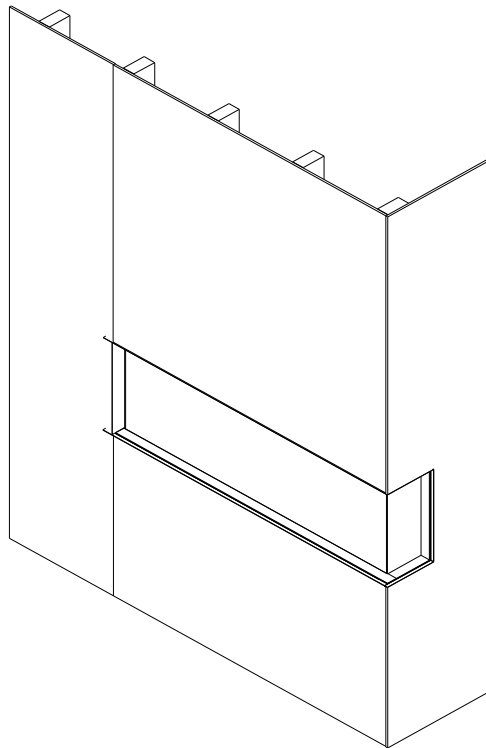
5. Make an opening for the fireplace according to requested measurement.



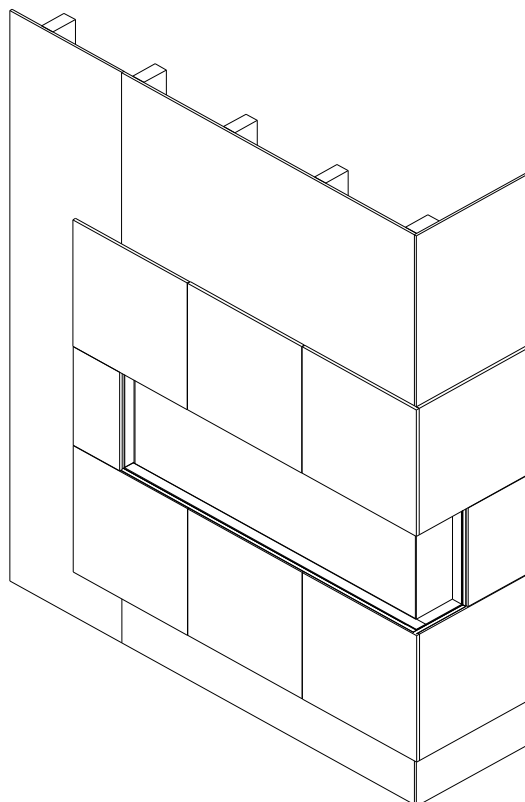
6. Insert the fireplace into the wall opening. Drive the mounting screws into the frame plates on the unit and the wall studs. To fix the bottom of the fireplace and the wall studs with the framing plates that you've removed from left and right side of the fireplace at STEP 4. Plug in and check if the fireplace works.



7. After checking that the fireplace operates properly, cover the glass panels with protective plastic bag and install plywood or drywall.

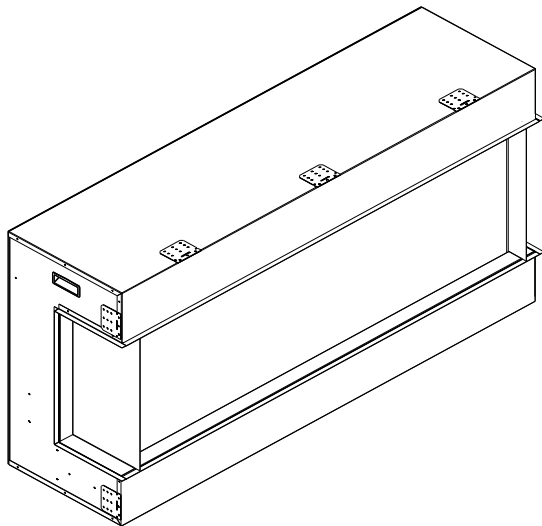


8. Decorate the plywood or drywall with glazed tile, wallpaper, etc.

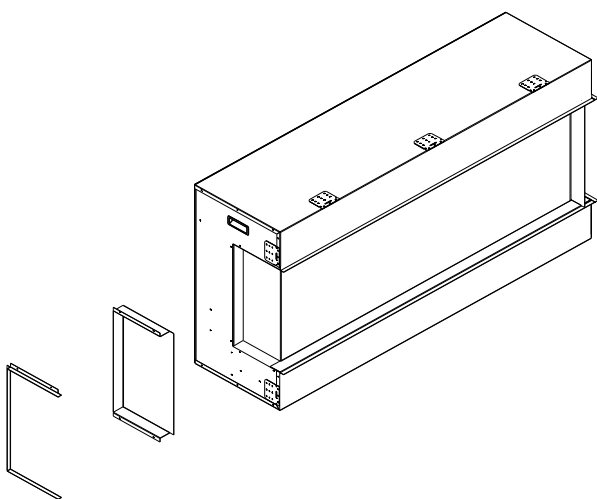


## Installation for Front and Left Side Viewing

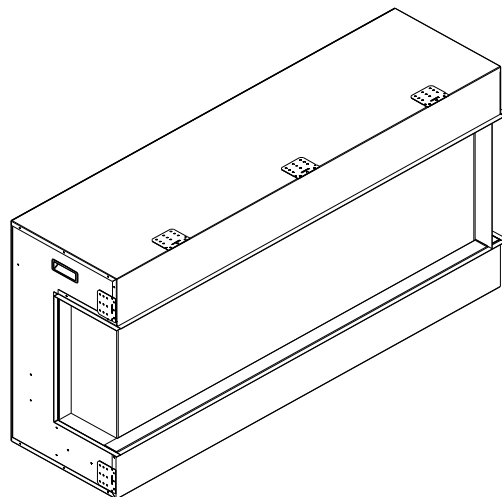
1. Install the fireplace where the right side is close to a wall, and you want to view the fire from front and left side, take off the fending panel on the left.



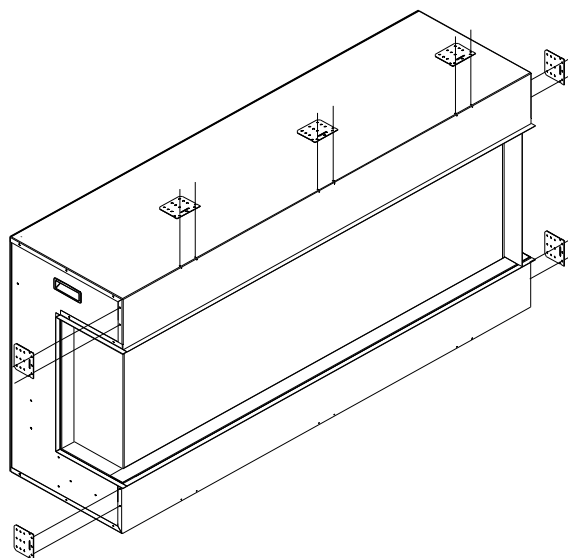
2. Unscrew 7 screws on the left side that fix the fending bar and panel and then take off the fending bar and panel.



3. After the fending panel is removed, screw back the bar.

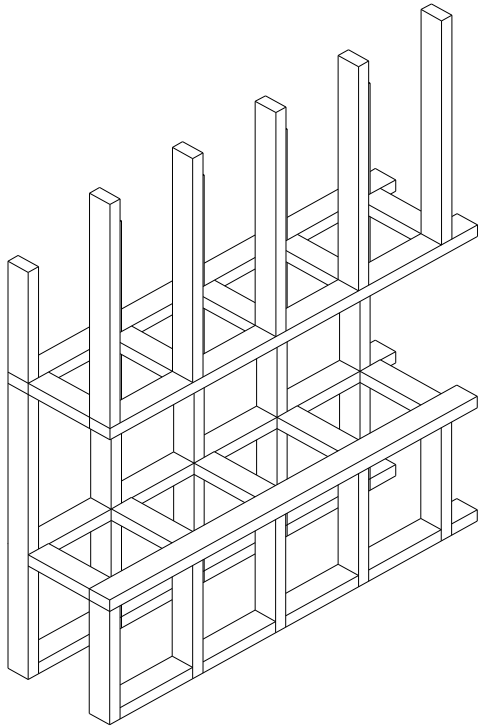


4. Remove the framing plates from the fireplace and fix them as the picture shows. NOTE: After removing the framing plates on the left and right sides, screw back the screws.

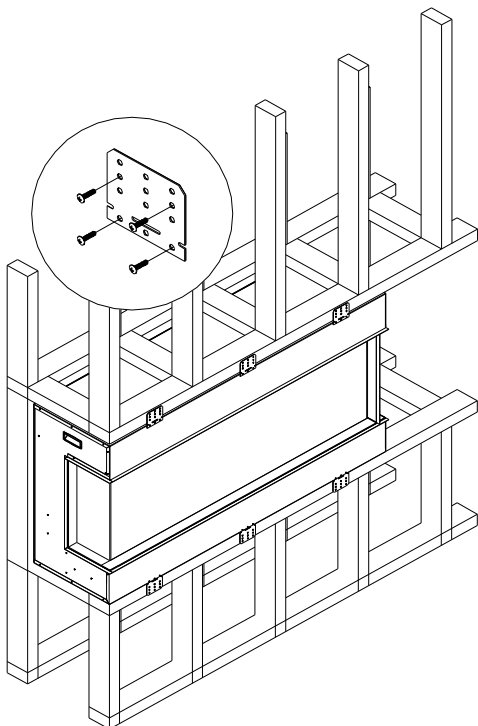


5. Make an opening for the fireplace according to requested measurement.

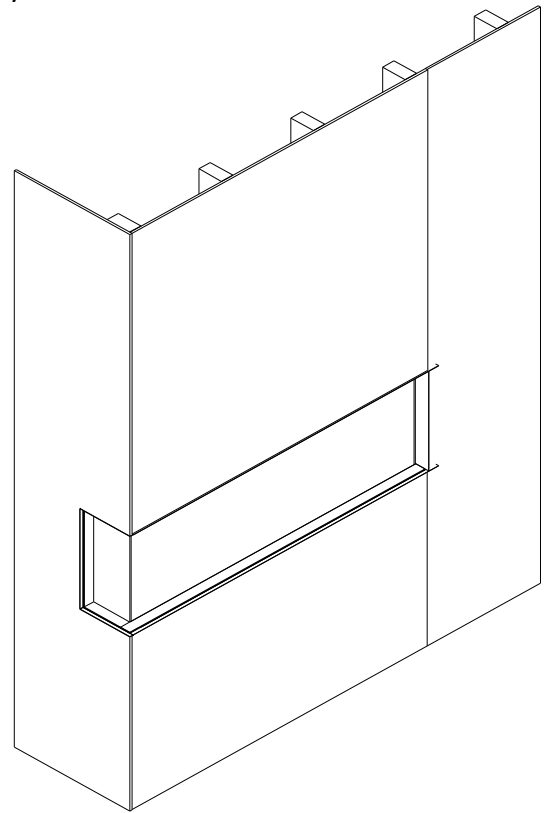




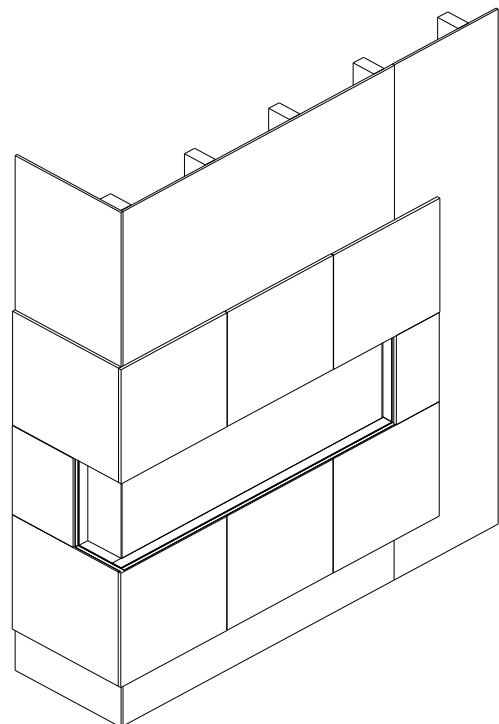
6. Insert the fireplace into the wall opening. Drive the mounting screws into the frame plates on the unit and the wall studs. To fix the bottom of the fireplace and the wall studs with the framing plates that you've removed from left and right side of the fireplace at STEP 4. Plug in and check if the fireplace works.



7. After checking that the fireplace operates properly, cover the glass panels with protective plastic bag and install plywood or drywall.



8. Decorate the plywood or drywall with glazed tile, wallpaper, etc.

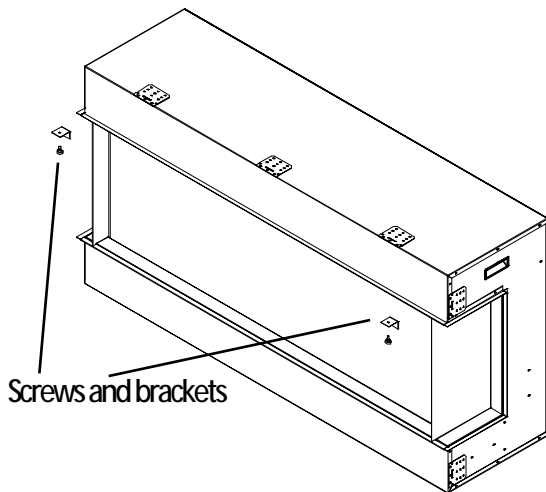


## MEDIA OPTIONS

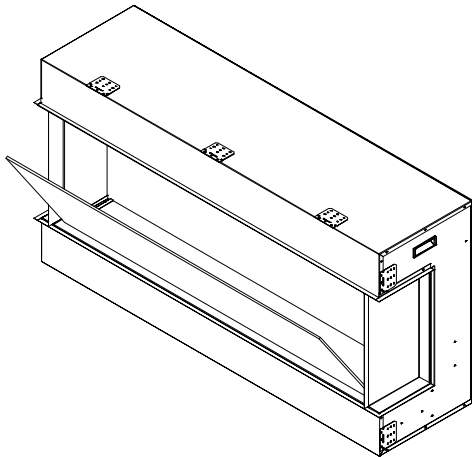
The TRV-XL-XT series models are shipped with no Media. Customers may purchase optional decorative media if they choose. See dealer for more details.

## MEDIA OPERATION

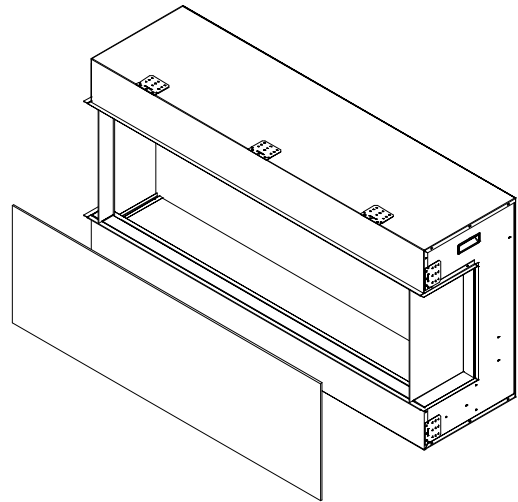
1. Unscrew 2 screws and take off two brackets which are fending the front glass panel.



2. After the brackets are removed, the front glass panel will fall down automatically.



3. Take off the front glass panel and put it in safe place.



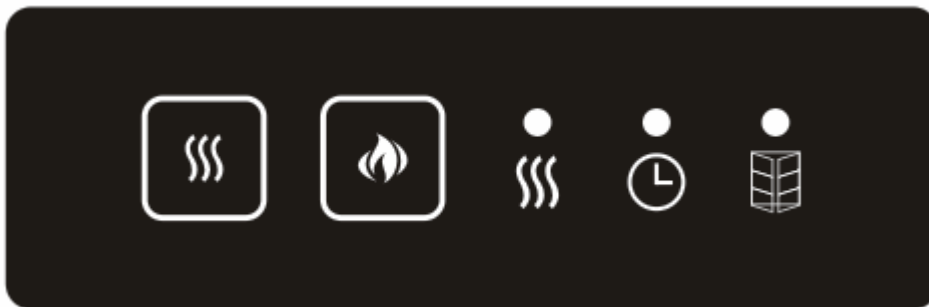
4. Installing the fire glass media. Pour the fire glass media into the tray as shown below. Feel free to use any combination of fire glass media that you find most appealing.
5. Put back the front glass and screw back the bracket.



## OPERATION

The fireplace can be operated either by the switches located on the left bottom of the fireplace unit or by supplied remote control.


Plug the fireplace into a 15 Amp wall socket.

## MANUAL OPERATION




1、 Press key . Press for the first time , heater work at 1900W, indicator  lights red.

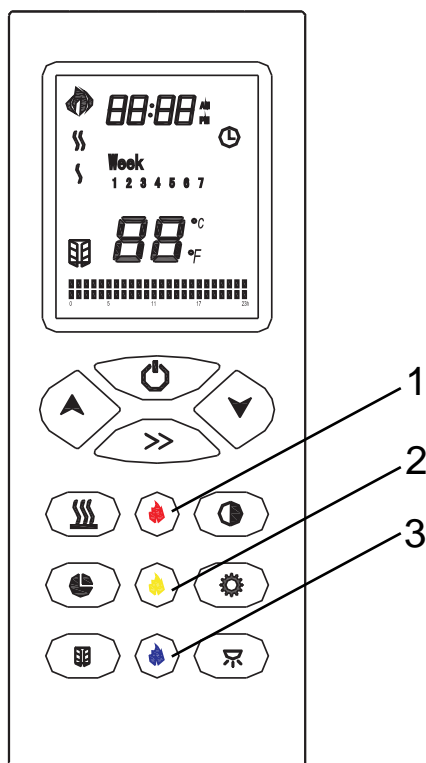
Press for the second time, heater work at 950W , indicator  lights blue. Press for the









third time, the heating element turns off, indicator  extinguishes.







Note: after the heating elements are turned on manually, the heating elements work but are not controlled by the temperature sensor.

2、 Press key . Press for the first time and the charcoal and flame is in the highest brightness. Press for the second time ,the charcoal and flame is in medium brightness. Press for the third time ,the charcoal and flame is in low brightness. Press for the fourth time , the charcoal and flame goes out. Then it circulates in turn.



## REMOTE CONTROL OPERATION














- 1、 Press the remote control's key , its screen turns on, the flame ignites and the flame icon appears on the LCD screen of the remote control. Week, time (24h system), and temperature setting are displayed normally. Press it again, the screen of the remote control will turn off;
- 2、 Key , flame and charcoal control switch. In case of ON, press once, the flame and the charcoal bed go out, the LCD screen does not display . Press it again and the flame and the charcoal bed turn on, the LCD screen displays . The buzzer beeps once when the key is pressed;
- 3、 Press  (1) to adjust the red flame. The buzzer beeps once when the key is pressed;
- 4、 Press  (2) to adjust the yellow flame. The buzzer beeps once when the key is pressed;
- 5、 Press  (3) to adjust the blue flame. The buzzer beeps once when the key is pressed;
- 6、 Press  to turn on, turn off and adjust top light colors. The buzzer beeps once when the key is pressed;




7、 Press the heating key  .” Press for the first time ,the heating elements work at 1900W, the LCD screen displays  , the indicator  on the machine lights red. Press a second time , the heating elements work at 950W, the LCD screen displays  , the indicator  on the machine lights blue. Press a third time and the heating elements turn off, the LCD screen does not display the function icon, the indicator  on the machine goes off. The buzzer beeps once when the key is pressed;

Note: in case the heating elements are turned on by remote control, whether the heating elements work or not depends on the temperature setting and ambient temperature. They work only when the temperature setting is above the ambient temperature.






8、 Press key  ” “  ” to adjust the temperature setting between 7 and 30 °C. The buzzer beeps when the key is pressed;

9、 Press shift key  ”. Press once, the corresponding figure flashes. Press  ” “  ” now to set current time and week. The buzzer does not beep when the key is pressed;

10、 Press timing parameter setting key  .” Press for the first time and the LCD screen displays  to indicate Monday. Now the temperature setting flashes, press  ”  to set the timing temperature for Monday, press key  ” to confirm and then press  ”  the time setting for timing.. The displayed time parameter is “00-23.” Press  ”

to set the current operating state of timing function;  indicates that the timing is on currently and the control temperature is the temperature setting,  indicates that the timing is on currently and the control temperature is the temperature setting minus 3 °C, No display indicates timing is off current and the heating elements do not work. Corresponding point flashes when setting. Press for the second time, it displays  , set the parameters






for Tuesday. Press for the 7th time and it displays . Press for the 8th time and it exits and recovers to the current week day;




11、 Press“  .” Press for the first time and the timing function turns on, the LCD screen displays  , the machine’s indicator  lights green. Press again to turn off, icon  on the LCD screen  goes off. After the timing function is turned on, it works according



the parameter settings. The LCD screen lights up according to corresponding parameter settings;

Note: when the time, week and timing parameters are changed, you need to switch on-off the timing key to transfer the timing parameters to the machine. After the machine has received them correctly, the buzzer will beep once.

12、 Press“  ”. Press once to turn on the Open Window function, the LCD screen displays icon  , the indicator  on the machine lights yellow. Press again to turn it off, the LCD screen does not display icon  and the indicator  on the machine goes off. The buzzer beeps when the key is pressed;

After the Open Window function is turned on, the program firstly detects if the heating function is turned on. If it is turned on, the program will save the current ambient temperature value and detects the ambient temperature change once per 12 minutes. When the decrease in the ambient temperature detected within 30 minutes exceeds 4 °C ,the program will deem that the window is open and stop heating, and the Open Window indicator  on the machine will flash rapidly. After it has stopped heating for 70 minutes, the program starts to detect if the window is closed, and the indicator  flashes slowly. It heats for 6 minutes every 30 minutes (position H2). If the temperature rise is more than 2 °C , the window is considered as closed, and the indicator  stops flashing.

## CARE AND MAINTENANCE

1. Switch off and unplug from the power supply before cleaning.
2. Using a soft, moist cloth, with or without a mild soap solution, carefully clean the exterior surface of the products.

CAUTION: Allow the product to completely cool before handling or cleaning it.

3. Do not allow water or other liquids to run into the interior of the product, as this could create a fire and/or electrical hazard.
4. We also recommend the periodic cleaning of this appliance by lightly running a vacuum cleaner nozzle over the guards to remove any dust or dirt that may have accumulated inside or on the unit.

CAUTION: Do not use harsh detergents, chemical cleaners or solvents as they may damage the surface finish of the plastic components.

## CONFORMITY WITH DIRECTIVES

Conforms to all relevant European directives



## ENVIRONMENTAL PROTECTION



### Recycling

This symbol is known as the 'Crossed-out Wheelee Bin Symbol'. When this symbol is marked on a product or battery, it means that it should not be disposed of with your general household waste. Some chemicals contained within electrical/electronic products or batteries can be harmful to health and the environment.

Only dispose of electrical/electronic/battery items in separate collection schemes, which cater for the recovery and recycling of materials contained within. Your co-operation is vital to ensure the success of these schemes and for the protection of the environment.

## REPLACEMENT PARTS

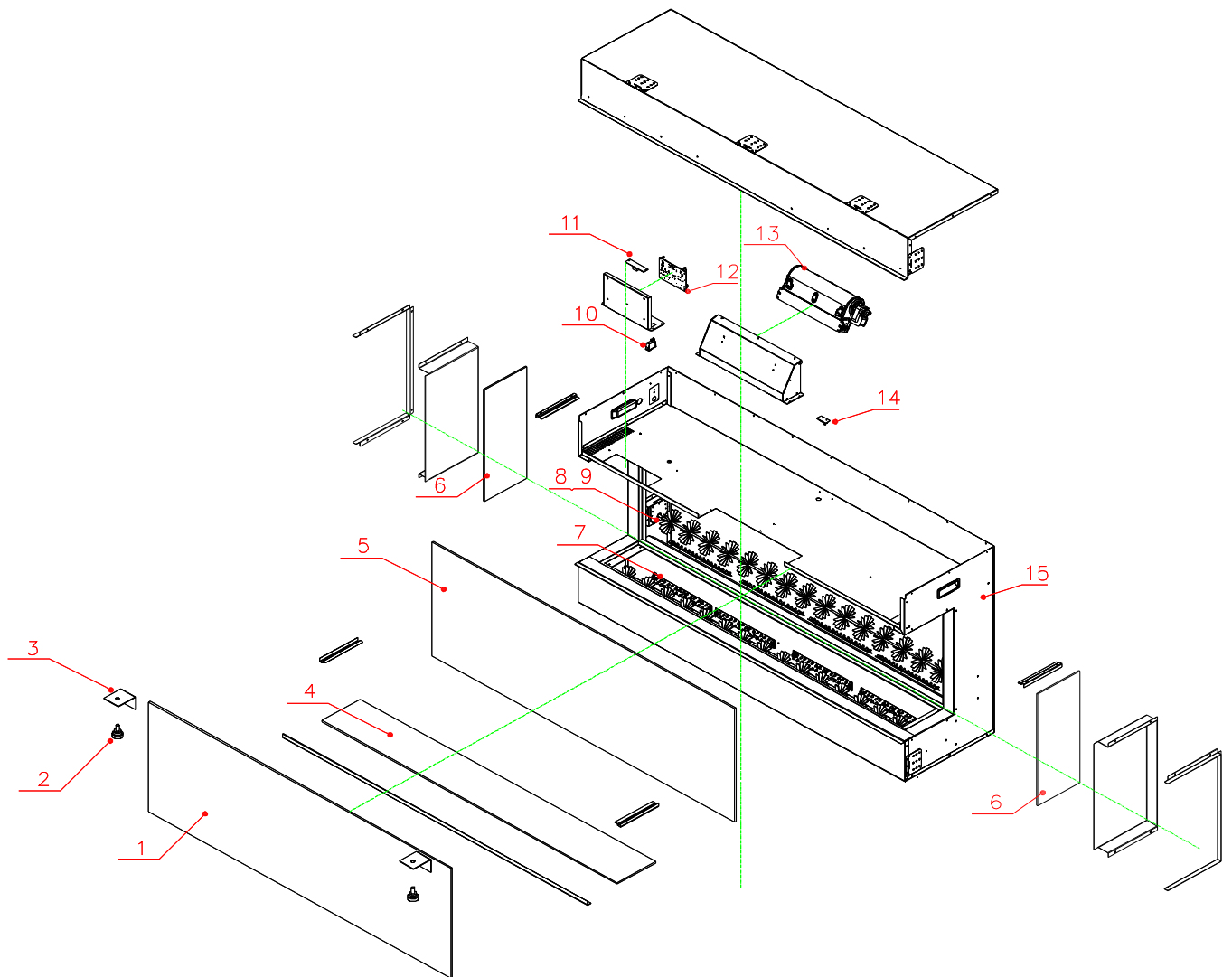
This list contains replacement parts

NO	PART NUMBER			DESCRIPTION	QTY
	40-TRV-XL-XT	50-TRV-XL-XT	60-TRV-XL-XT		
1	10701386	10701388	10701389	FRONT CLEAR GLASS	1
2	10201505			ADJUSTABLE SCREW	2
3	3123010			FRONT CLEAR GLASS BRACKET	2
4	10702200	10702168	10702169	BOTTOM TRAY GLASS	1
5	10702272	10702273	10702274	BACK GLASS	1
6	10701387			SIDE CLEAR GLASS	2
7	601136B	601136B	601136B	LED STRIP FOR TRAY AND FLAME	
	601141B	601141B	601141B		
8	3151505	3123505C	3124505C	FLICKER ASSEMBLY	2
9	101012251C			FLAME MOTOR	2
10	10104002			SWITCH	1
11	601036			MANUAL CONTROL	1
12	601095F			CIRCUIT BOARD	1
13	602083D			BLOWER AND HEATER ASSEMBLY	1
14	601002B			REMOTE RECEIVER	1
15				WHOLE METAL BOX	1
16	10125021	10125022	10125023	TOP LED STRIP	1
17	10105203			REMOTE CONTROL	1



NO	PART NUMBER		DESCRIPTION	QTY
	72-TRV-XL-XT	88-TRV-XL-XT		
1	10701387	10701391	FRONT CLEAR GLASS	1
2	10201505		ADJUSTABLE SCREW	2
3	3123010		FRONT CLEAR GLASS BRACKET	2
4	10702170	10702277	BOTTOM TRAY GLASS	1
5	10702275	10702276	BACK GLASS	1
6	10701387		SIDE CLEAR GLASS	2
7	601137B	601137B	LED STRIP FOR TRAY AND FLAME	
	601141B	601141B		
8	3125505C	3235505	FLICKER ASSEMBLY	2
9	10101221C		FLAME MOTOR	2
10	10104002		SWITCH	1
11	601036		MANUAL CONTROL	1
12	601095F		CIRCUIT BOARD	1
13	602083D		BLOWER AND HEATER ASSEMBLY	1
14	601002B		REMOTE RECEIVER	1
15			WHOLE METAL BOX	1
16	10125024	10125011	TOP LED STRIP	1
17	10105203		REMOTE CONTROL	1

# EXPLODED VIEW





## TROUBLE SHOOTING

PROBLEM	POSSIBLE CAUSE	SOLUTION
Dim or no flame	Flame LED's are burnt out	Inspect the LED's and replace them if necessary.
Ember bed is not glowing or dimming	Ember LED's are burnt out	Inspect the ember bed LED's and replace them if necessary.
Appliance turns off and will not turn on	Appliance has overheated and safety device has caused the thermal switch to disconnect	Turn off the main switch, allow appliance to cool for 10 minutes, then turn it on.
	House circuit breaker has tripped	Reset house circuit breaker.
	Appliance's fuse has blown	Replace the fuse.
Appliance will not come on when switch is flipped to ON	Appliance is not plugged into an electrical outlet	Check plug and plug in.
	Appliance has overheated and safety device has caused the thermal switch to disconnect	Turn off the main switch, allow appliance to cool for 10 minutes, then turn it on.
	Circuit board is burnt out	Inspect the circuit board and replace it if necessary.
No warm air coming out of appliance	Heater is burnt out	Inspect the burner and heater assembly and replace it if necessary.
Flame sputters	Flame motor is defective.	Call a qualified service technician and replace flame motor.
Remote Control does not work.	Low batteries. Unit switch in "O" position.	Replace AAA batteries in remote control. Turn the switch in "I" position.
Flame is fixed.	Wiring may be loose or the flame motor may be defective.	



## WARRANTY FOR PRODUCTS MANUFACTURED AFTER JANUARY 1st, 2016

Amantii Imports Corp. ("Amantii") warrants that your newly purchased Amantii electric fireplace is free from manufacturing and material defects for a period of two (2) years from the date of the first purchase, subject to the conditions and limitations contained below.

### Warranty Application & Exclusions

This limited warranty applies to your newly purchased Amantii electric fireplace. Only the original purchaser of the product is eligible for coverage under this limited warranty; the warranty is not transferable.

### Products excluded from this limited warranty

Light bulbs are not covered by this limited warranty and are the sole responsibility of the owner/purchaser. Amantii does not cover service or labor charges.

### Warranty Coverage and Term

Products covered by this limited warranty have been tested and inspected prior to shipment and, subject to the provisions of this warranty, Amantii warrants such products to be free from defects in material and workmanship for a period of two (2) years from the date of the first purchase of such products.

The limited two (2) year warranty period for products also applies to any implied warranties that may exist under applicable law. Some jurisdictions do not allow limitations on how long an implied warranty lasts, so the above limitation may not apply to the purchaser.

All other warranties—expressed or implied—with respect to the product, its components and accessories or any obligation/liabilities on the part of Amantii are hereby expressly excluded.

### Limitations to Coverage Under Limited Warranty

This limited warranty does not apply to products that have been repaired, except by Amantii or its authorized service representatives, or otherwise altered. This limited warranty further does not apply to defects resulting from misuse, abuse, accident, neglect, incorrect installation, improper maintenance or handling, or operation with an incorrect power source. Products made by other manufacturers, sold with the product or thereafter, are not covered by this limited warranty. The use of unauthorized components will render this warranty null and void.

### Defects

Defects must be brought to the attention of the selling dealer. Please have your proof of purchase, catalogue/model and serial numbers available when contacting dealer; any and all service under the limited warranty requires a proof of purchase of the product. Should a product or part covered by this limited warranty be proven to be defective, in material or workmanship, and during the two (2) year limited warranty period, Amantii will replace such defective product or part without charge. If Amantii is unable to replace such product, or if replacement is not commercially practicable or cannot be timely done, in its sole discretion Amantii may, in lieu of replacement, choose to refund the purchase price for such product or part. Amantii does not cover labor or service charges to replace said parts.

### Limitations

In no event will Amantii, including without limitation any of its directors, officers, shareholders, employees, consultants, agents, heirs, executors, administrators and assigns, be liable to the purchaser or any third party, whether in contract, in tort, or on any other basis for any indirect, special, punitive, exemplary, consequential, or incidental loss, cost or damage arising out of or in connection with the sale, maintenance, use or inability to use the product, even if Amantii, including without limitation any of its directors, officers, shareholders, employees, consultants, agents, heirs, executors, administrators and assigns, have been advised of the possibility of such losses, costs or damages, or if such losses, costs or damages are foreseeable. In no event will Amantii, including without limitation any of its directors, officers, shareholders, employees, consultants, agents, heirs, executors, administrators and assigns, be liable for any direct losses, costs or damages that exceed the purchase price of the product.

Some jurisdictions do not allow the exclusion or limitation of incidental or consequential damages, so the above limitation or exclusion may not apply to the purchaser.

### Application of Provincial and State Law

This limited warranty gives you specific legal rights, and you may also have other rights which vary from jurisdiction to jurisdiction. The provisions of the United Nations Convention on Contracts for the Sale of Goods shall not apply to this limited warranty or the sale of products covered by this limited warranty.

### General

Amantii reserves the right to make changes at any time without notice, in design, material, specifications, prices and the right to discontinue styles and products.