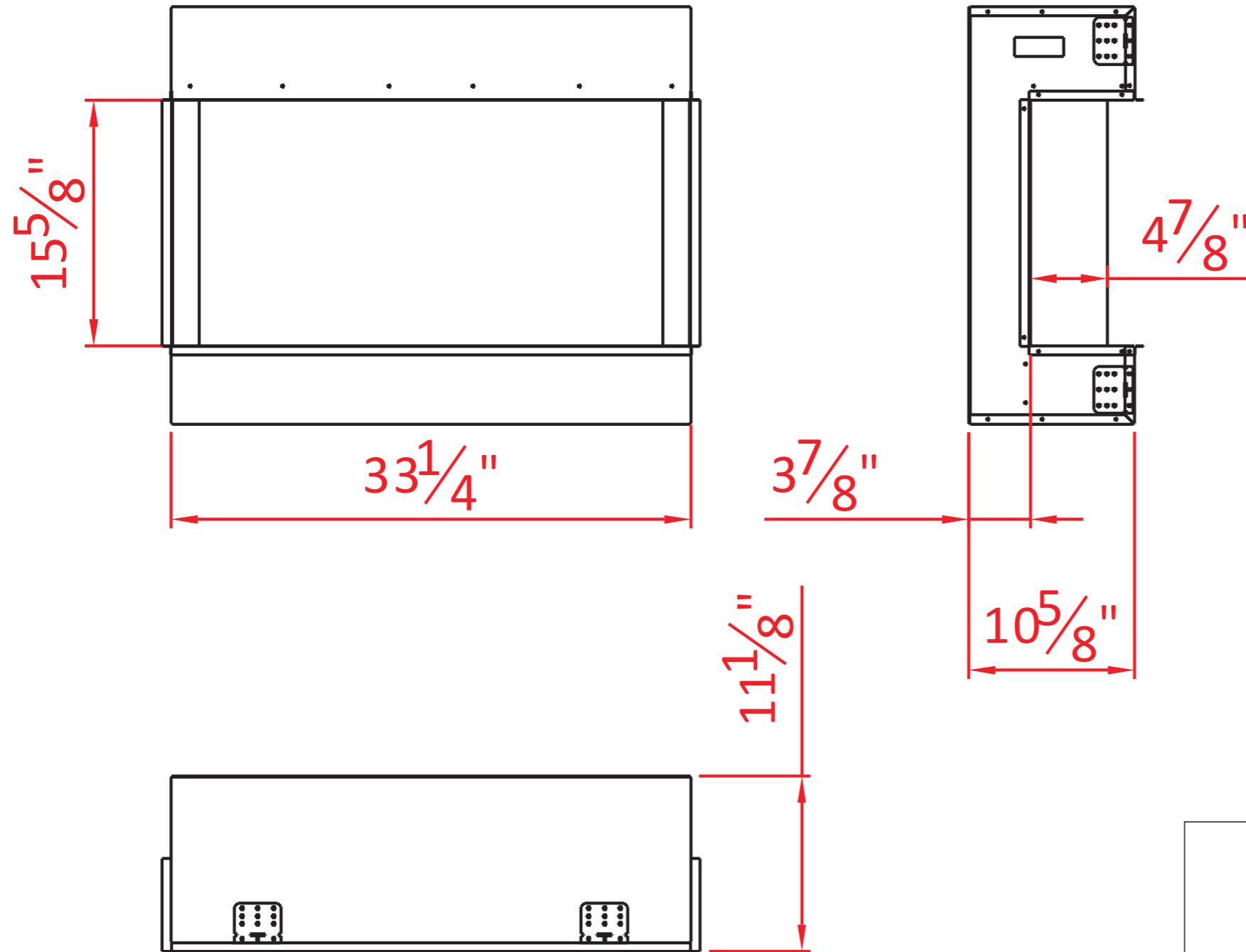


# Designed To Be Installed in a 2 by 4 Wall

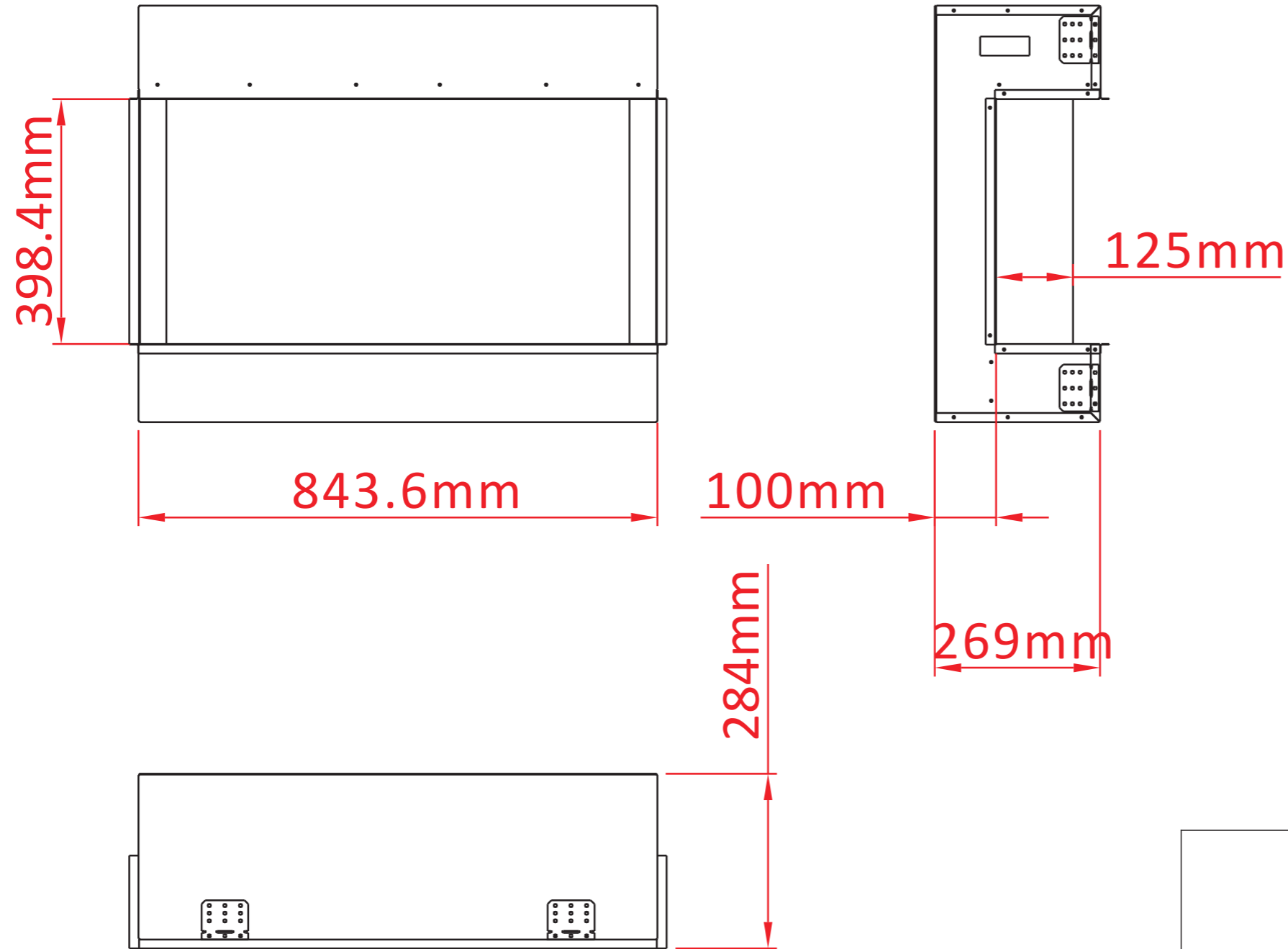


TECHNICAL SPECIFICATIONS		
VOLTS		240
AMPS		7.91
WATTS		1900
HEATER	HIGH	1900 watts
	LOW	950 watts
NO HEATER		19 watts
LAMPS	TYPE	LED
	WATTS	
	TOTAL WATTS	33 watts
ROTOR MOTOR		2 at 5 watts
HEIGHT,WIDTH,DEPTH		26 5/8" x 33 1/4" x 11 1/8"
GLASS VIEWING OPENING		15 5/8" X 29 5/8"
GLASS SIZE		15 5/8" X 29 5/8"
SHIPPING SIZE		29 1/8" x 37 4/8" x 12 5/8"
SHIPPING WEIGHT		85.3 lbs
	UNIT	70.3 lbs
	GLASS FRONT	Included
PLUG LOCATION		Left Side
CORD LENGTH		76"
APPROX. HEATING AREA		400 sq ft




SERIES	MODEL	CE	REV
TRU VIEW	30-TRV-SLIM		1
SCALE 1"=1'-0"	DATE: 9/4/2019	SHEET 1 OF 1	

# Designed To Be Installed in a 2 by 4 Wall



TECHNICAL SPECIFICATIONS		
VOLTS		240
AMPS		7.91
WATTS		1900
HEATER	HIGH	1900 watts
	LOW	950 watts
NO HEATER		19 watts
LAMPS	TYPE	LED
	WATTS	
	TOTAL WATTS	33 watts
ROTOR MOTOR		2 at 5 watts
HEIGHT,WIDTH,DEPTH		67.7 x 84.4 x 28.4 cm
GLASS VIEWING OPENING		39.8 X 75.3 cm
GLASS SIZE		39.8 X 75.3 cm
SHIPPING SIZE		74 x 95.4 x 32 cm
SHIPPING WEIGHT		38.7 Kgs
	UNIT	31.9 Kgs
GLASS FRONT		Included
PLUG LOCATION		Left Side
CORD LENGTH		193 cm
APPROX. HEATING AREA		37 sqm



SERIES TRU VIEW	MODEL 30-TRV-SLIM	<b>CE</b>	REV 1
SCALE 1:12	DATE: 9/4/2019	SHEET 1 OF 1	