

DVDO



DVDO-USB-Pair
50m USB 2.0 Extender

User Manual

Version: V1.0.0



Important Safety Instructions

- | | | | |
|--|--|--|---|
| | <p>1. Do not expose this apparatus to rain, moisture, dripping or splashing and that no objects filled with liquids, such as vases, shall be placed on the apparatus.</p> | | <p>6. Clean this apparatus only with dry cloth.</p> |
| | <p>2. Do not install or place this unit in a bookcase, built-in cabinet or in another confined space. Ensure the unit is well ventilated.</p> | | <p>7. Unplug this apparatus during lightning storms or when unused for long periods of time.</p> |
| | <p>3. To prevent risk of electric shock or fire hazard due to overheating, do not obstruct the unit's ventilation openings with newspapers, tablecloths, curtains, and similar items.</p> | | <p>8. Protect the power cord from being walked on or pinched particularly at plugs.</p> |
| | <p>4. Do not install near any heat sources such as radiators, heat registers, stoves, or other apparatus (including amplifiers) that produce heat.</p> | | <p>9. Only use attachments / accessories specified by the manufacturer.</p> |
| | <p>5. Do not place sources of naked flames, such as lighted candles, on the unit.</p> | | <p>10. Refer all servicing to qualified service personnel.</p> |

Table of Contents

Introduction	5
Overview.....	5
Features	5
Package Contents	5
Specifications	6
Panel Description	7
Transmitter	7
Receiver	7
Installation and Wiring	8
Troubleshooting	10
Warranty Terms and Conditions.....	11

Introduction

Overview

Thank you for purchasing this product. For proper installation and optimum performance, please read the instructions in this manual carefully.

The DVDO-USB-Pair USB 2.0 extender is a slim transmitter and receiver set. It can extend USB signal up to 50m/165ft via a Cat 5e/6 cable. The built-in USB Hub in the receiver supports up to 4 ports of USB 2.0. The transmitter can be powered by the USB host such as a PC.

Features

- Supports high-speed USB 2.0 (Up to 480Mbps) over a Cat 5e/6 cable up to 50m/165ft
- Up to 4 USB device connections supported by the Hub
- Transmitter can be powered by USB port, receiver can be powered by lockable DC supply with 500mA to each USB device
- Plug-and-play, with no driver installation required
- Supports all major operating systems: Windows, Mac OS and Linux
- Compatible with USB 1.1 and USB 1.0 peripherals

Package Contents

Before you start the installation of the product, please check the package contents as below:

- DVDO-USB-Pair (Transmitter Receiver Set) x 1
- DC 12V 1A Power Supply (with US, UK, EU, AU Pins) x 1
- USB-A to USB-B Cable x 1
- Mounting Brackets (with Screws) x 4
- User Manual x 1

Specifications

Technical	
I/O Connections	TX: 1 x USB Type-B, 1 x UTP Out RX: 1 x UTP IN, 1 x DC 12V IN, 4 x USB 2.0
Input/Output Signal Type	USB 2.0 and backward compatible with USB 1.1 and USB 1.0
Maximum Data Rate	Up to 480Mbps

General	
Operating Temperature	0°C to 45°C (32°F to 113°F)
Storage Temperature	-20°C to 70°C (-4°F to 158°F)
Humidity	10% to 90%, non-condensing
ESD Protection	Human-body Model: ±8kV (Air-gap discharge)/ ±4kV (Contact discharge)
Power Supply	DC 12V 1A
Power Consumption (Maximum)	4.5W
Device Dimension (W x H x D)	90 mm × 25 mm × 71 mm/ 3.54" x 0.98" x 2.79" each for TX/RX
Product Weight	0.35kg/0.77lb each for TX/RX

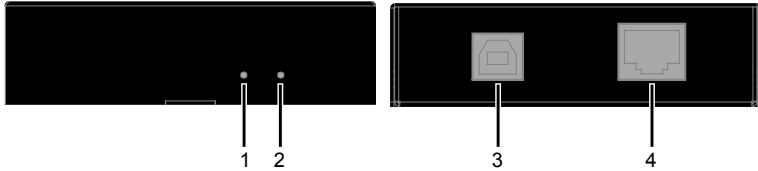
Transmission Distance

Note: The use of T568B straight-through Category cables is recommended.

Cable Type	Range
Cat 5e/6	Up to 50m/165ft

Panel Description

Transmitter



No.	Name	Description
1	STATUS LED	Blinking: The device is working properly. Off: The device is not working properly.
2	POWER LED	On/Off: The device is powered on/off.
3	USB HOST	Connect to the PC with a USB-A to USB-B cable.
4	UTP OUT	Connect TX and RX with a Cat 5e/6 cable.

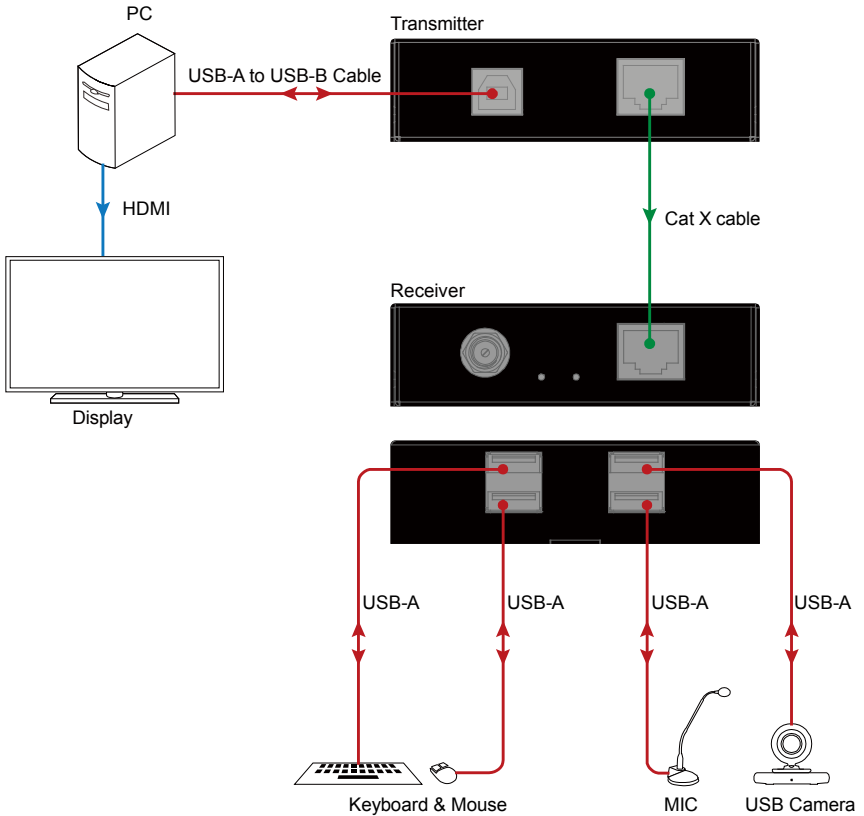
Receiver



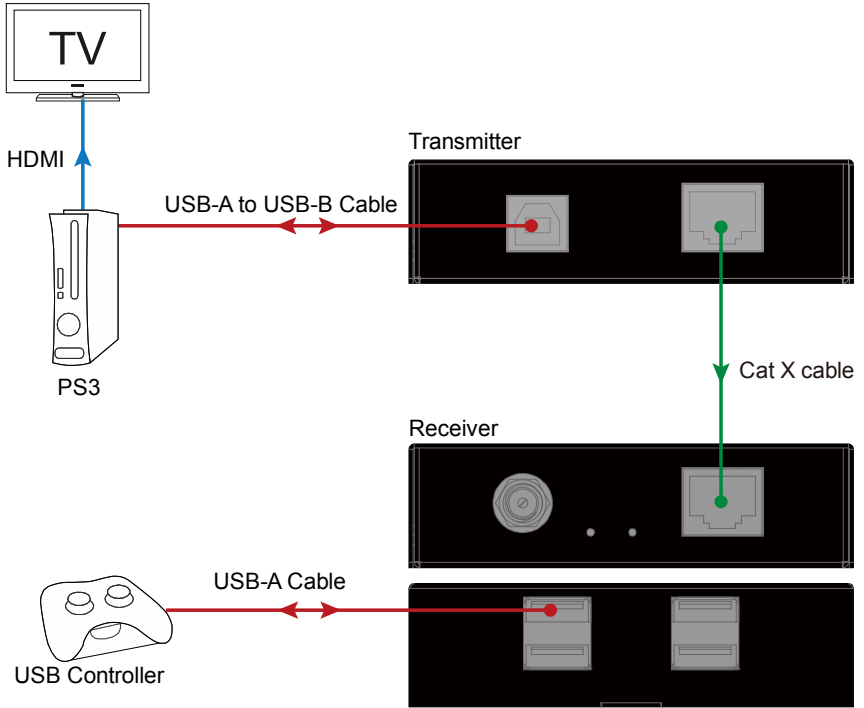
No.	Name	Description
1	USB 1-4	Connect to USB devices such as keyboard, mouse, MIC, USB camera.
2	UTP IN	Connect TX and RX with a Cat 5e/6 cable.
3	STATUS LED	Blinking: The device is working properly. Off: The device is not working properly.
4	POWER LED	On/Off: The device is powered on/off.
5	DC 12V	Connect to the power adapter provided.

Installation and Wiring

1. Video conference system



2. Personal entertainment system



Troubleshooting

1. No Power

- Ensure the power is on.
- Ensure you use the power adapter provided in the package.
- If the transmitter is powered by the USB host, the receiver can be powered by transmitter through PoE.
- If connect to high power USB device(s), using external power supply to power the receiver is recommended.

2. USB Not Detected

Ensure all devices are powered on, and all cables are qualified and connected properly. Ensure all the cables' length are within the maximum transmission distance (refer to **Specification** table).

Warranty Terms and Conditions

For the following cases we shall charge for the service(s) claimed for the products if the product is still remediable and the warranty card becomes unenforceable or inapplicable.

1. The original serial number (specified by us) labeled on the product has been removed, erased, replaced, defaced or is illegible.
2. The warranty has expired.
3. The defects are caused by the fact that the product is repaired, dismantled or altered by anyone that is not from an authorized service partner. The defects are caused by the fact that the product is used or handled improperly, roughly or not as instructed in the applicable User Guide.
4. The defects are caused by any force majeure including but not limited to accidents, fire, earthquake, lightning, tsunami and war.
5. The service, configuration and gifts promised by salesman only but not covered by normal contract.
6. We preserve the right for interpretation of these cases above and to make changes to them at any time without notice.

DVDO
