

DVDO

DVDO-Switcher-41SS-MV

4K 4x1 Seamless HDMI Switcher with Multiview & Audio Output

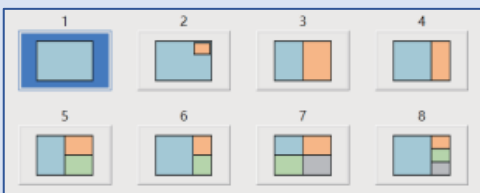


DVDO-Switcher-41SS-MV is a 4x1 seamless HDMI switcher that can route up to four sources to a single display.

It supports HDMI signals with resolutions up to 4K60 4:4:4 with an 18Gbps bandwidth.

The HDMI output has separate analog and optical audio connections.

DVDO-Switcher-41SS-MV offers 8 different display modes ranging from a single view mode to different multiview modes allowing 2, 3 or all 4 sources to be displayed on the same screen.



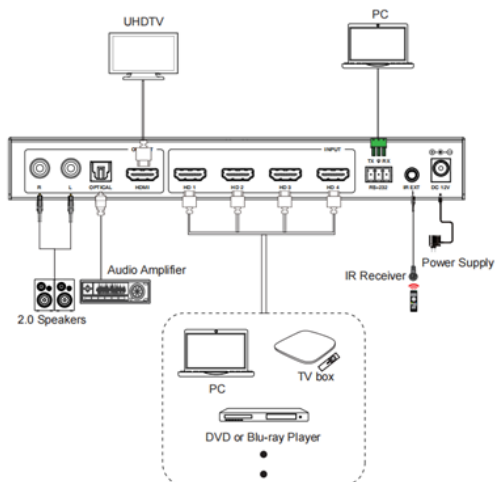
Features

- HDMI 2.0b, HDCP 2.2 and HDCP 1.x compliant
- Support resolutions up to 4K@60Hz 18Gbps
- Support LPCM, AC3, DD+, DTS, DTS-HD, up to 7.1 audio channel
- 8 display modes: Single, PIP, PBP (1), PBP (2), Triple (1), Triple (2), Quad (1), Quad (2)
- Seamless switching in single screen display mode & fast switching in multiview display mode
- Audio de-embedding via analog and optical fiber audio ports
- Volume control and independent audio selection
- OSD navigation for advanced settings
- EDID management
- Control via front panel buttons, IR remote, OSD menu navigation, control software, RS-232

Applications

- Conference Rooms
- Hospitality
- Digital Signage
- Houses of Worship
- Education
- Restaurants
- Retail
- Residential

Application Diagram



Technical Specifications

Technical	
HDMI Compliance	HDMI 2.0b
HDCP Compliance	HDCP 2.2 / 1.x
Video Bandwidth	18Gbps
Video Resolution	Up to 4K2K@60 4:4:4
IR Level	5Vp-p
IR Frequency	38KHz
Color Space	RGB, YCbCr 4:4:4, YCbCr 4:2:2, YCbCr 4:2:0
Color Depth	8/10/12-bit
Audio Formats	HDMI audio: PCM2.0/5.1/7.1CH, Dolby Digital/Plus, DTS, DTS High Res Analog audio: [3.5mm L/R]: PCM2.0 SPDIF Optical audio: PCM2.0, Dolby Digital, DTS 5.1 (doesn't support HBR audio)
ESD Protection	Human body model — ±8kV (Air-gap discharge) & ±4kV (Contact discharge)
Connections	
Input ports	4 x HDMI IN [Type A, 19-pin female]
Output ports	1 x HDMI OUT [Type A, 19-pin female] 1 x L/R OUTPUT [RCA] 1 x OPTICAL OUT [S/PDIF]
Control ports	1 x RS-232 [3pin-3.81mm phoenix connector] 1 x IR EXT [3.5mm Stereo Mini-jack]
Mechanical	
Housing	Black metal enclosure
Dimensions	220mm [W] x 100mm [D] x 30mm [H]
Weight	620g
Power Supply	Input: AC 100 - 240V 50/60Hz Output: DC 12V/2.5A (US/EU standard, CE/FCC/UL certified)
Power Consumption	10W (Max)
Operating Temperature	32 - 104°F / 0 - 40°C
Storage Temperature	-4 - 140°F / -20 - 60°C
Relative Humidity	20 - 90% RH (no-condensing)