

# DVDO

## DVDO-Splitter-14-SE

### 4K 1x4 HDMI Splitter with Scaler & Audio Extract

DVDO-Splitter-14-SE is a 1x4 HDMI 2.0 splitter that simultaneously routes one HDMI source to four HDMI displays.

It supports resolutions up to 4K2K@60Hz (4:4:4) and HDCP 2.2.

It can extract the audio from the HDMI source to the optical and analog outputs.

It can also select COPY, AUTO modes for EDID setting.

The output supports bypass and downscaling (4K->1080P) function.



## Features

- HDMI 2.0b, HDCP2.2/HDCP1.4 compliant.
- Supports HDMI resolutions up to 4K2K@50/60Hz (4:4:4)
- Supports digital and analog audio extraction output from HDMI source.
- Supports output bypass and 4K->1080P downscaling function via dial switch on panel.
- EDID can be selected to COPY and AUTO modes.

(COPY: Copies OUT 1 port EDID setting to all output ports, If no HDMI OUT 1 EDID is detected then the unit will copy HDMI OUT 2. If no HDMI OUT 1 and 2 EDID is detected then the unit will copy HDMI OUT 3, etc. The priority order is OUT 1 to OUT 4.

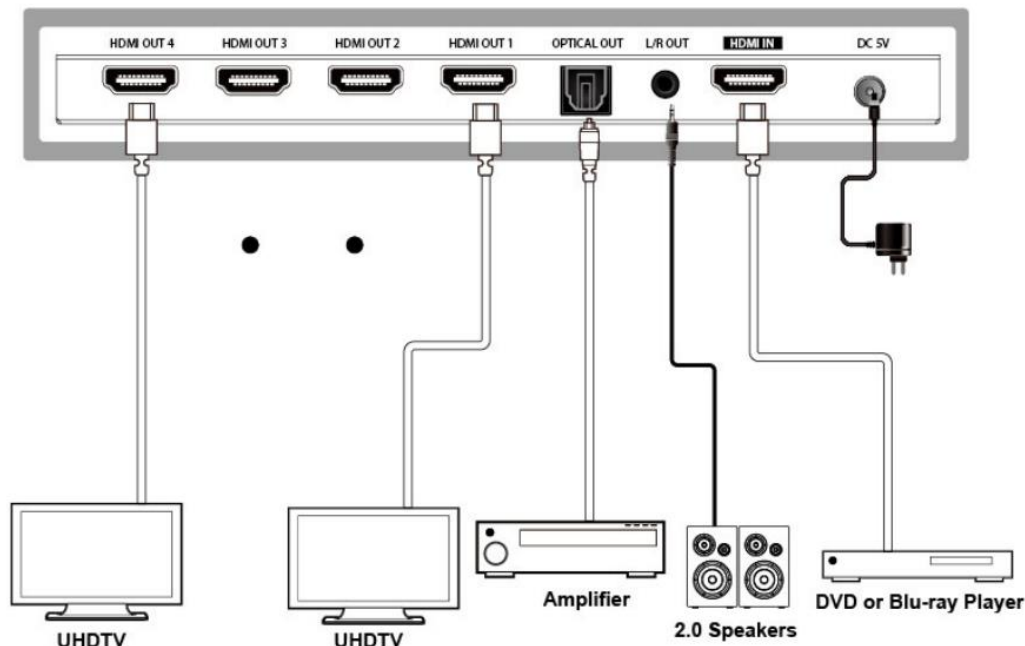
AUTO: Compare OUT 1~OUT 4 EDID settings and output the best resolution to all outputs.)

- Supports CEC function
- Supports analog audio PCM 2.0.
- Supports optical audio pass-through format LPCM 2.0/2.1/5.1CH, Dolby 5.1, Dolby True HD, Dolby DD+, DTS

## Applications

- Conference Rooms
- Education
- Hospitality
- Restaurants
- Digital Signage
- Retail
- Houses of Worship
- Residential

## Application Diagram



## Technical Specifications

Technical	
HDMI Compliance	HDMI 2.0b
HDCP Compliance	HDCP 2.2 / HDCP 1.4
Video Bandwidth	18Gbps
Video Resolutions	720p50/60Hz, 1080p50/60Hz, 4K2K24Hz, 4K2K30Hz, 4K2K@50/60Hz (4:4:4)
Color Space	RGB / YCbCr 4:4:4, YCbCr 4:2:2
Color Depth	4K60Hz 8-bit, 1080p 12-bit
HDMI Audio Formats	LPCM, Dolby Digital/Plus/EX, Dolby TrueHD, DTS, DTS-EX, DTS-96/24, DTS High Res, DTS HD Master Audio, DSD
L/R Audio Formats	PCM 2.0
Optical Audio Formats	LPCM [2.0/2.1]CH, Dolby 5.1, Dolby TrueHD, Dolby DD+, DTS 5.1, DTS-ES 6, DTS-HDMA 5.1, DTS HD-HRA 5.1
ESD Protection	Human body model — ±8kV (Air-gap discharge), ±4kV (Contact discharge)

Connections	
Input ports	1 x HDMI Type A [19-pin female]
Output ports	4 x HDMI Type A [19-pin female] 1 x L/R Audio out [3.5mm Stereo Mini-jack] 1 x Optical out [S/PDIF]
Mechanical	
Housing	Metal Enclosure
Color	Black
Dimensions	180mm [W] x 62mm [D] x 14mm [H]
Weight	227g
Power Supply	Input: AC100 ~ 240V 50/60Hz Output: DC 5V/1A (US/EU standards, CE/FCC/UL certified)
Power Consumption	3.5W (max)
Operating Temperature	32 ~ 104°F / 0 ~ 40°C
Storage Temperature	-4 ~ 140°F / -20 ~ 60°C
Relative Humidity	20 ~ 90% RH (no condensing)