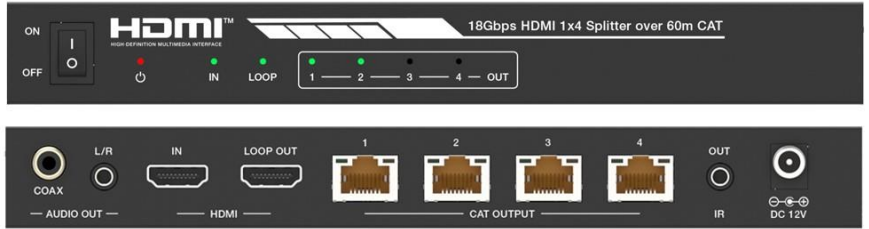


DVDO

DVDO-Splitter-14-CAT

4K 1x4 HDMI Splitter with CAT Outputs



DVDO-Splitter-14-CAT is an 18Gbps 1x4HDMI splitter that can distribute a single HDMI source signal to any 4 display devices, with supported video resolutions up to 4K2K@50/60Hz 4:4:4.

The splitter has 1 HDMI loop output in addition to the 4 CAT outputs and comes with 4 CAT receivers.

The HDMI signal transmission distance can be extended up to 115ft/35m at the resolution of 4K2K@60Hz, or 164ft/50m at 4K2K@30Hz, or 197ft/60m at 1080p@60Hz via a single CAT6/6a/7 cable.

DVDO-Splitter-14-CAT supports one-way IR control signal pass-through, audio extract function and advanced EDID management.

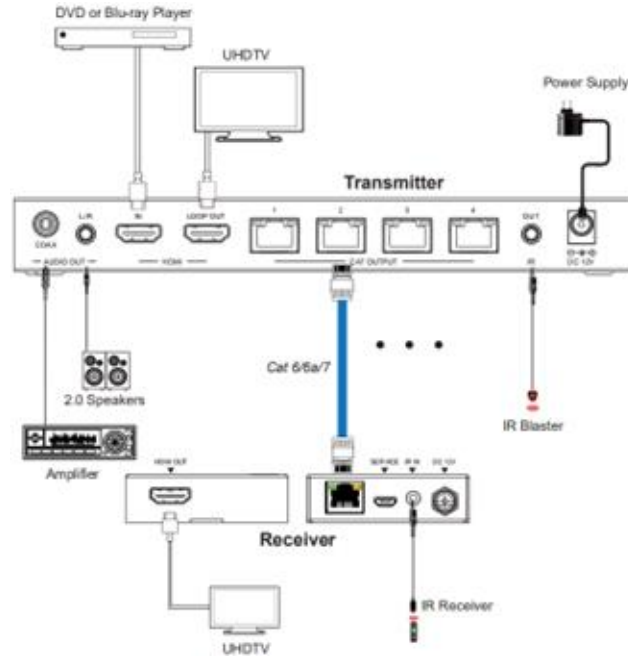
Features

- Includes 1x4 splitter and 4 CAT receivers
- HDMI 2.0b, HDCP 2.2 and HDCP 1.x compliant
- 18Gbps video bandwidth
- Supports video resolutions up to 4K2K@50/60Hz 4:4:4
- HDR, HDR10+, HLG, Dolby Vision
- Up to 7.1CH HD audio pass-through
- Digital and analog audio de-embedded outputs
- Extend the signal transmission distance up to 115ft/35m at the resolution of 4K2K@60Hz, 164ft/50m at 4K2K@30Hz, 197ft/60m at 1080P@60Hz via a single CAT6/6a/7 cable
- 1 HDMI input, 1 HDMI loop output and 4 CAT outputs
- 20-60Hz IR control source equipment from Rx side
- Advanced EDID management
- One-way PoC function (only from transmitter to receiver)

Applications

- Conference Rooms
- Hospitality
- Digital Signage
- Houses of Worship
- Education
- Restaurants
- Retail
- Residential

Application Diagram



Technical Specifications

Technical		Connections	
HDMI Compliance	HDMI 2.0b	Input port	1 x HDMI IN [Type A, 19-pin female]
HDCP Compliance	HDCP 2.2 / 1.x	Output ports	1 x HDMI LOOP OUT [Type A, 19-pin female]
Video Bandwidth	594MHz / 18Gbps		4 x CAT OUTPUT [RJ45, 8-pin female]
Video Resolutions	Up to 4K2K@50/60Hz 4:4:4		1 x COAXIAL AUDIO OUT [RCA]
Color Depth	8-bit, 10-bit, 12-bit (1080p@60Hz, 4K2K@60Hz YCbCr 4:2:2 / 4:2:0) 8-bit (4K2K@60Hz YUV 4:4:4)		1 x L/R AUDIO OUT [3.5mm Stereo Mini-jack]
Color Space Depth	RGB, YCbCr 4:4:4 / 4:2:2, YUV 4:2:0	Control	1 x SERVICE [Micro USB, Update port]
HDR	HDR10, HDR10+, HLG, Dolby Vision		1 x EDID DIAL switch [5-pin]
HDMI Audio Formats	LPCM 2.0/2.1/5.1/6.1/7.1, Dolby Digital, Dolby TrueHD, Dolby Digital Plus(DD+), DTS-ES, DTS HD Master, DTS HD-HRA, DTS-X		1 x IR OUT [3.5mm Stereo Mini-jack]
Analog Audio Formats	PCM 2.0CH	Mechanical	
Coaxial Audio Formats	PCM2.0, Dolby Digital / Plus, DTS 2.0/5.1	Housing	Metal Enclosure
ESD Protection	Human body model: ±8kV (Air-gap discharge), ±4kV (Contact discharge)	Color	Black
		Dimensions	Transmitter: 210mm (W) × 100mm (D) × 25mm (H) Receiver: 88mm (W) × 61mm (D) × 18mm (H)
		Weight	Transmitter: 617g / Receiver: 155g
		Power Supply	Input: AC100 ~ 240V 50/60Hz Output: DC 12V/2.5A (US/EU standards, CE/FCC/UL certified)
		Power Consumption	14W (max)
		Operating Temperature	32 ~ 104°F / 0 ~ 40°C
		Storage Temperature	-4 ~ 140°F / -20 ~ 60°C
		Relative Humidity	20 ~ 90% RH (no condensing)