

DVDO



DVDO-RS-2

18Gbps HDBaseT USB-C / HDMI / KVM Room AV Solution

User Manual

Version: V1.0.1

Important Safety Instructions



1. Do not expose this apparatus to rain, moisture, dripping or splashing and that no objects filled with liquids, such as vases, shall be placed on the apparatus.



6. Clean this apparatus only with dry cloth.



2. Do not install or place this unit in a bookcase, built-in cabinet or in another confined space. Ensure the unit is well ventilated.



7. Unplug this apparatus during lightning storms or when unused for long periods of time.



3. To prevent risk of electric shock or fire hazard due to overheating, do not obstruct the unit's ventilation openings with newspapers, tablecloths, curtains, and similar items.



8. Protect the power cord from being walked on or pinched particularly at plugs.



4. Do not install near any heat sources such as radiators, heat registers, stoves, or other apparatus (including amplifiers) that produce heat.



9. Only use attachments / accessories specified by the manufacturer.



5. Do not place sources of naked flames, such as lighted candles, on the unit.



10. Refer all servicing to qualified service personnel.

Surge protection device recommended

This product contains sensitive electrical components that may be damaged by electrical spikes, surges, electric shock, lightning strikes, etc. Use of surge protection systems is highly recommended in order to protect and extend the life of your equipment.

Table of Contents

Introduction.....	4
Features	4
Package Contents	4
Specifications	5
Product Dimensions	6
Operation Controls and Functions.....	7
Application Example	9
Warranty Terms and Conditions	10

Introduction

The wall plate is a 2x1 switcher and HDBaseT transmitter with HDMI and USB-C input. It features a US one-gang enclosure for Decora-style wall plate openings. The USB-C input provides an ideal AV interface for connecting with new Apple notebooks and Windows® PCs as well as smartphones and tablets. Supporting video resolution up to 4K@60Hz 4:4:4, the product is remotely powered by the receiver or other HDBaseT-equipped devices via POE.

Features

- Compliant with HDMI 2.0b, HDCP 2.2 and DisplayPort 1.2a
- Supports 18Gbps video bandwidth
- Video resolution up to 4K@60Hz 4:4:4
- HDBaseT output extends video transmission distance up to 230ft / 70m for 1080P or 131ft / 40m for 4K via a single CAT6/6a/7 cable
- Support HDR10 and HDR10+
- Supports Dolby Atmos, TrueHD, Digital+, Digital; DTS X, HD Master Audio, HD High Resolution Audio, 5.1; PCM 2-8Ch
- Supports HDMI and USB-C input
- US one-gang enclosure for Decora-style wall plate openings
- Input signal selection supports automatic mode and manual mode
- USB 2.0 extension with receiver
- Supports POE function (only from receiver to transmitter)
- USB-C charging port

Package Contents

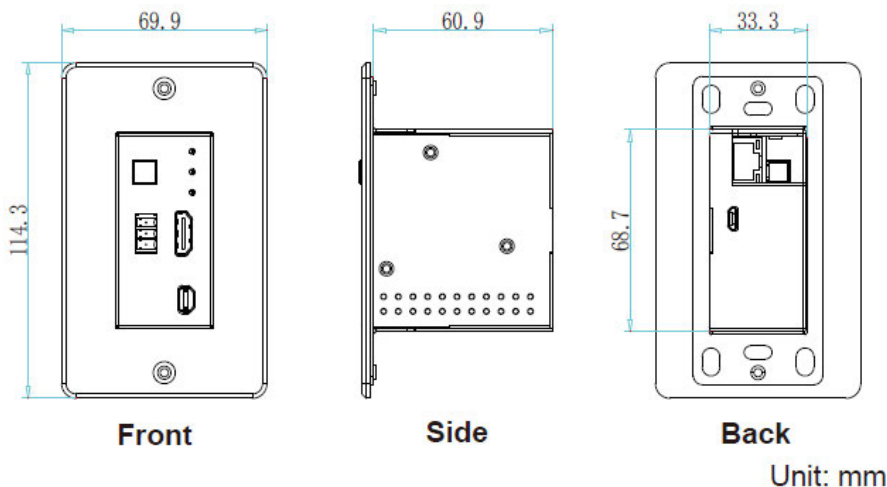
1x 18Gbps HDBaseT 70M with USB-C/HDMI & KVM Wall Plate Transmitter
1x HDBaseT Receiver, 1x Power Supply, 1x User Manual

Specifications

Technical	
HDMI Compliance	HDMI 2.0b, DisplayPort 1.2a
HDCP Compliance	HDCP 2.2
Video Bandwidth	18 Gbps
Video Resolution	4096×2160@24/25/30/50/60Hz, 3840×2160@24/25/30/50/60Hz, 2048x1080p, 1080p@23.98/24/25/29.97/30/50/59.94/60Hz, 1080i@50/59.94/60Hz, 720p@50/59.94/60Hz, 576p, 576i, 480p, 480i
Color Space	RGB, YCbCr 4:4:4, YCbCr 4:2:2, YUV 4:2:0
Color Depth	8/10/12-bit
HDR	HDR10, HDR10+
HDMI Audio Formats	Dolby Atmos, TrueHD, Digital+, Digital, DTS X, HD Master Audio, HD High Resolution Audio, 5.1; PCM 2-8Ch
Transmission Distance	Max distance (1080p) : 230ft / 70m over CAT6/6a/7 Max distance (4K): 131ft / 40m over CAT6/6a/7
ESD Protection	Human body model — ±8kV (Air-gap discharge) & ±4kV (Contact discharge)
Connection	
Transmitter	Inputs: 1x HDMI Type A [19-pin female] 1x USB-C Outputs: 1x HDBaseT Out [RJ45, 8-pin female] 1x USB-C (only for charging) Control: 1x USB-B [Micro USB, Update port]
Receiver	Inputs: 1x HDMI IN [Type A, 19-pin female] 1x HDBaseT IN [RJ45, 8-pin female] Outputs: 1x HDMI OUT [Type A, 19-pin female] 1x AUDIO OUT [Phoenix jack] Control: 2x USB [USB A TYPE] 1x FW [Micro USB, Update port]

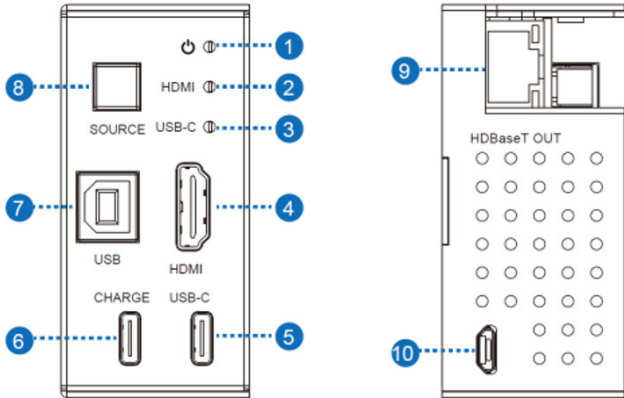
Mechanical	
Housing	Metal Enclosure
Color	White / Black
Dimensions	Wall plate: 33.3mm [W] x 65.7mm [D] x 68.7mm [H] Faceplate: 69.9mm [W] x 3mm [D] x 114.3mm [H] Receiver: 200mm [W] x 98mm [D] x 23mm [H]
Weight	Wall plate: 196g, Receiver: 511g
Power Supply	POE (only from Receiver to Transmitter)
Power Consumption	Wall plate: 9W(Max), Receiver: 11W(Max)
Operating Temperature	32 - 104°F / 0 - 40°C
Storage Temperature	-4 - 140°F / -20 - 60°C
Relative Humidity	20 - 90% RH (no condensation)

Product Dimensions



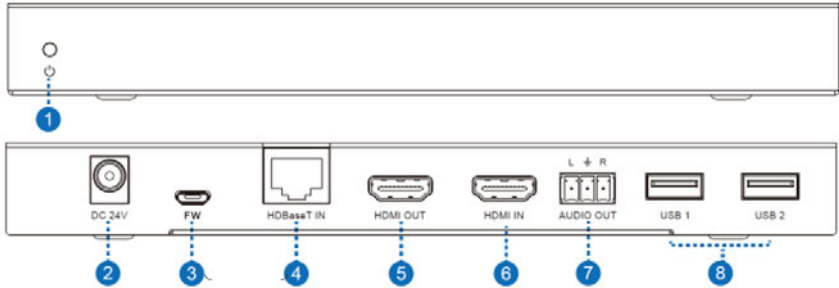
Operation Controls and Functions

Transmitter Panel



- 1 **Power LED** indicator will illuminate in green when the product is powered on, and red when the product is on standby.
- 2 **HDMI LED** will be on when the HDMI input port is active and the HDMI signal is detected.
- 3 **USB-C LED** will be on when the USB-C input port is active and USB-C signal is detected.
- 4 **HDMI Port**: Connect to HDMI source device.
- 5 **USB-C Port**: For USB-C signal input or charging USB-C devices.
- 6 **CHARGE Port**: Connect this port to power supply, then the USB-C port will power the connected device.
- 7 **USB-B Port**: Connect to the computer's USB port.
- 8 **SOURCE Button**: Used to switch HDMI / USB-C input signal.
- 9 **HDBaseT OUT**: Connect to receiver with CAT6/6a/7 cable.
- 10 **Micro-USB**: Firmware update port.

Receiver Panel



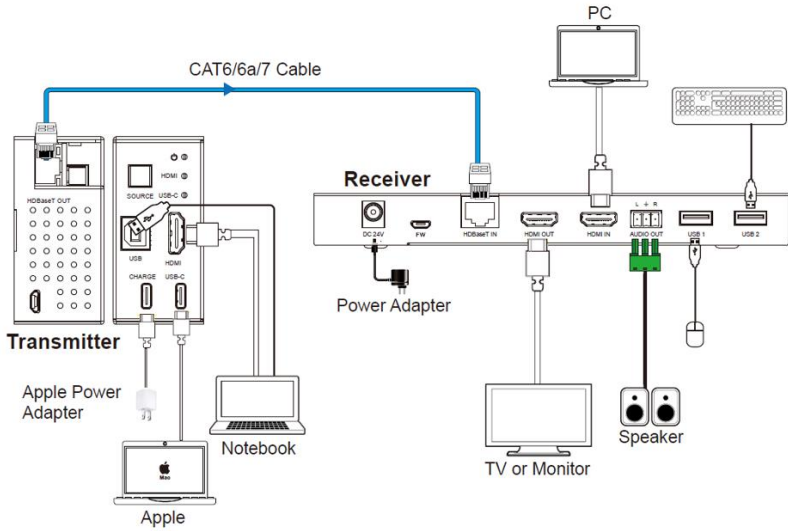
- 1 **Power LED** indicator will be on when the product is powered on.
- 2 **DC 24V**: Power supply port.
- 3 **FW** Firmware update port.
- 4 **HDBaseT IN**: Connect to transmitter with a CAT6/6a/7 cable.
- 5 **HDMI OUT**: Connect to HDMI display device.
- 6 **HDMI IN**: Connect to HDMI source device.
- 7 **AUDIO OUT**: Analog audio output port.
- 8 **USB Port**: Two USB ports for KVM function.

Note:

This transmitter supports automatic/manual mode for source signal input. In manual switching mode, press the SOURCE button to select HDMI/USB-C input.

In automatic switching mode, the last connected or the currently connected source signal will be selected automatically. When both HDMI and USB-C ports are connected to active signals, HDMI signal input is prioritized. When neither HDMI and USB-C ports are connected to active signals, it will switch to the receiver's source signal.

Application Example



Warranty Terms and Conditions

For the following cases we shall charge for the service(s) claimed for the products if the product is still remediable and the warranty becomes unenforceable or inapplicable.

1. The original serial number (specified by us) labeled on the product has been removed, erased, replaced, defaced or is illegible.
2. The warranty has expired.
3. The defects are caused by the fact that the product is repaired, dismantled or altered by anyone that is not from an authorized service partner. The defects are caused by the fact that the product is used or handled improperly, roughly or not as instructed in the applicable User Guide.
4. The defects are caused by any force majeure including but not limited to accidents, fire, earthquake, lightning, tsunami and war.
5. The service, configuration and gifts promised by salesman only but not covered by normal contract.
6. We reserve the right for interpretation of these cases above and to make changes to them at any time without notice.