

DVDO

DVDO-Matrix-88SS-VW

4K 8x8 Seamless HDMI Matrix Switcher & Video Wall Controller with Audio Outputs



DVDO-Matrix-88SS-VW is a 4K 8x8 seamless matrix switcher and video wall controller. It supports HDMI signals with resolutions up to 4K60 4:4:4 with an 18Gbps bandwidth.

DVDO-Matrix-88SS-VW offers enhanced video wall control with multiple display layouts up to 8 rows or 8 columns and easy drag and drop configuration through the Web GUI.

Each HDMI output includes 2 separate audio outputs including an optical S/PDIF port as well as an analog L/R port providing either balanced or unbalanced audio.

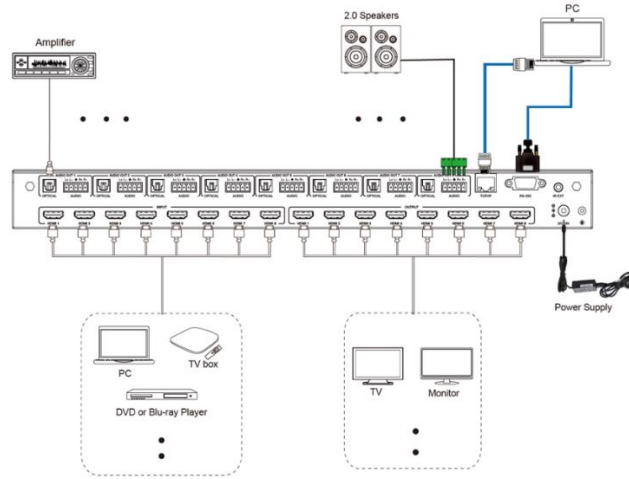
Features

- HDMI 2.0b / HDCP 2.2 compliant
- Supports video resolutions up to 4K@60Hz 4:4:4 at an 18Gbps video bandwidth
- Seamless switching between inputs
- Independent setting of each output including downscaling
- Horizontal & vertical mirror options for each output
- Several background options when no output signal: black screen, blue screen, color bar, grayscale,...
- Advanced video wall function with multiple display layouts up to 8 rows or 8 columns
- 8 L/R balanced / unbalanced audio outputs
- HDMI audio formats: LPCM, Dolby Digital/Plus/EX, Dolby True HD, DTS, DTS- EX, DTS-96/24, DTS High Res, DTS-HD Master Audio
- Advanced EDID management with 12 standard modes, 2 user-defined modes and 8 copy modes
- Control via CEC, front panel buttons, IR remote, RS-232, and IP (web GUI)

Applications

- Conference Rooms
- Hospitality
- Digital Signage
- Houses of Worship
- Education
- Restaurants
- Retail
- Residential

Application Diagram



Technical Specifications

Technical	
Compliance	HDMI 2.0 / HDCP 2.2
Video Bandwidth	594MHz/18Gbps
Video Resolution	Up to 4K@60Hz 4:4:4
Color Space	RGB, YCbCr 4:4:4, YCbCr 4:2:2, YUV 4:2:0
Color Depth	8/10/12-bit
Audio Formats	HDMI in/out: LPCM, Dolby Digital/Plus/EX, Dolby True HD, Dolby Atmos,DTS, DTS-EX, DTS-96/24, DTS High Res, DTS-HD Master Audio, DSD Optical outputs: LPCM 2.0CH/Dolby/DTS 5.1CH Balanced analog audio outputs: LPCM 2CH
IR Level	5Vp-p
IR Frequency	Wideband 20K-60KHz
ESD Protection	IEC 61000-4-2: ±8kV (Air-gap discharge) & ±4kV (Contact discharge)
Connections	
Input ports	8 x HDMI [Type A, 19-pin female]
Output ports	8 x HDMI [Type A, 19-pin female] 8 x OPTICAL AUDIO [S/PDIF] 8 x L/R AUDIO [3.5mm 5 pin Phoenix Connector]
Control ports	1 x TCP/IP [RJ45] 1 x RS-232 [D-Sub 9] 1 x IR EXT [3.5mm, Stereo Mini-jack]
Mechanical	
Housing	Black metal enclosure
Dimensions	440mm [W] × 300mm [D] × 44.5mm [H]
Weight	3.95kg
Power Supply	Input: AC 100-240V 50/60Hz, Output: DC 24V/3.75A (US/EU standard, CE/FCC/UL certified)
Power Consumption	70W (Max)
Operating Temperature	32 - 104°F / 0 - 40°C
Storage Temperature	-4 - 140°F / -20 - 60°C
Relative Humidity	20 - 90% RH (no-condensing)