

DVDO

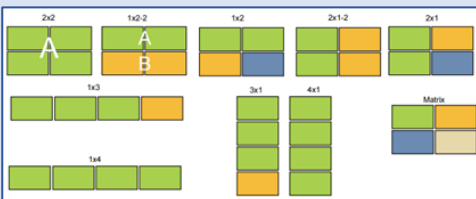
DVDO-Matrix-44SS-MV-VW

4K 4x4 Seamless HDMI Matrix
Switcher & Video Wall Controller
with Multiview & Audio Outputs

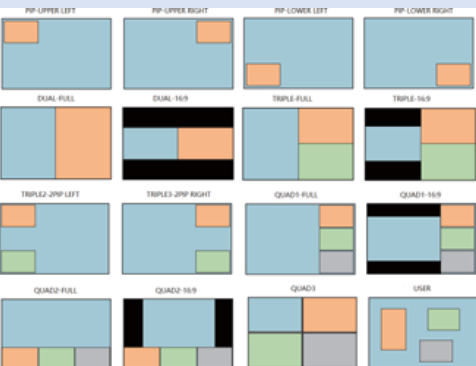


DVDO-Matrix-44SS-MV-VW is a 4K 4x4 seamless matrix switcher and video wall controller. It supports HDMI signals with resolutions up to 4K60 4:4:4 with an 18Gbps bandwidth.

With its video wall function, it can output 10 different display modes including 2x2, 4x1, 1x4, etc... that can be saved as presets



DVDO-Matrix-44SS-MV-VW offers multiple display modes ranging from a single view mode to different multiview modes allowing 2, 3 or all 4 sources to be displayed on the same screen.



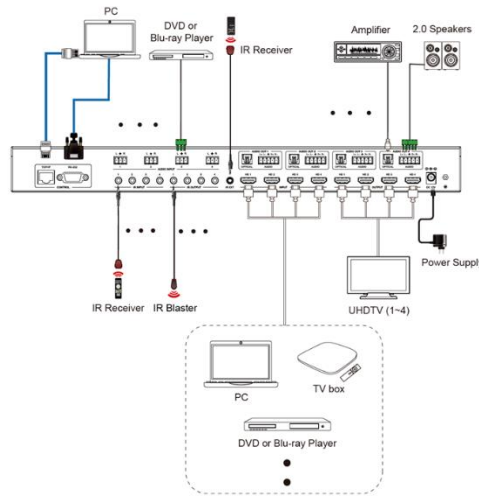
Features

- HDMI 2.0 / HDCP 2.2 compliant
- Supports video resolutions up to 4K@60Hz 4:4:4 at an 18Gbps video bandwidth
- Seamless switching between inputs
- 12 display modes with multiview function and 9 display modes with video wall function
- Audio embedding and de-embedding with separate audio inputs and outputs
- HDMI audio formats: LPCM, Dolby Digital/Plus/EX, Dolby True HD, DTS, DTS- EX, DTS-96/24, DTS High Res, DTS-HD Master Audio
- CEC control & advanced EDID management
- Control via front panel buttons, IR remote, RS-232, and IP (web GUI)

Applications

- Conference Rooms
- Education
- Hospitality
- Restaurants
- Digital Signage
- Retail
- Houses of Worship
- Residential

Application Diagram



Technical Specifications

Technical	
Compliance	HDMI 2.0 / HDCP 2.2
Video Bandwidth	594MHz/18Gbps
Video Resolution	480i ~1080p@50/60Hz, 4K2K@24/30Hz, 4K2K@60Hz
Color Space	RGB, YCbCr 4:4:4, YCbCr 4:2:2, YCbCr 4:2:0
Color Depth	8/10/12-bit
Audio Formats	LPCM, Dolby Digital/Plus/EX, Dolby True HD, DTS, DTS-EX, DTS-96/24, DTS High Res, DTS-HD Master Audio
IR Level	12Vp-p
IR Frequency	Wideband 20K-60KHz
ESD Protection	IEC 61000-4-2: ±8kV (Air-gap discharge) & ±4kV (Contact discharge)
Connections	
Input ports	4 x HDMI [Type A, 19-pin female] 4 x L/R AUDIO [3.81mm, 3pin Phoenix Connector]
Output ports	4 x HDMI [Type A, 19-pin female] 4 x OPTICAL AUDIO [S/PDIF] 4 x L/R AUDIO [3.81mm, 5pin Phoenix Connector]
Control ports	1 x TCP/IP [RJ45] 1 x RS-232 [D-Sub 9] 1 x IR EXT [3.5mm, Stereo Mini-jack] 4 x IR INPUTS [3.5mm, Stereo Mini-jack] 4 x IR OUTPUTS [3.5mm, Stereo Mini-jack]
Mechanical	
Housing	Black metal enclosure
Dimensions	440mm [W] × 203mm [D] × 44.5mm [H]
Weight	2.55kg
Power Supply	Input: AC 100-240V 50/60Hz, Output: DC 12V/2.5A (US/EU standard, CE/FCC/UL certified)
Power Consumption	25W (Max)
Operating Temperature	32 - 104°F / 0 - 40°C
Storage Temperature	-4 - 140°F / -20 - 60°C
Relative Humidity	20 - 90% RH (no-condensing)