

DVDO

DVDO-Matrix-44-CAT

4K 4x4 HDMI Matrix Switcher
with Mirrored Category Outputs



DVDO-Matrix-44-CAT is a 4K 4x4 matrix switcher with 4 HDMI inputs and 4 HDMI outputs with 4 mirrored CAT outputs, allowing the connection of 4 HDMI sources to up to 8 displays.

It can transmit video signals with resolutions up to 4K2K@60Hz 4:4:4 and supports HD digital audio formats such as LPCM 7.1CH, Dolby TrueHD, Dolby Digital Plus and DTS-HD Master Audio.

The CAT outputs can extend the signals up to 230ft/70m to the CAT receivers that come with the matrix switcher.

DVDO-Matrix-44-CAT supports one-way IR matrix function and can be controlled via front panel buttons, IR remote, RS-232, IP and web GUI.

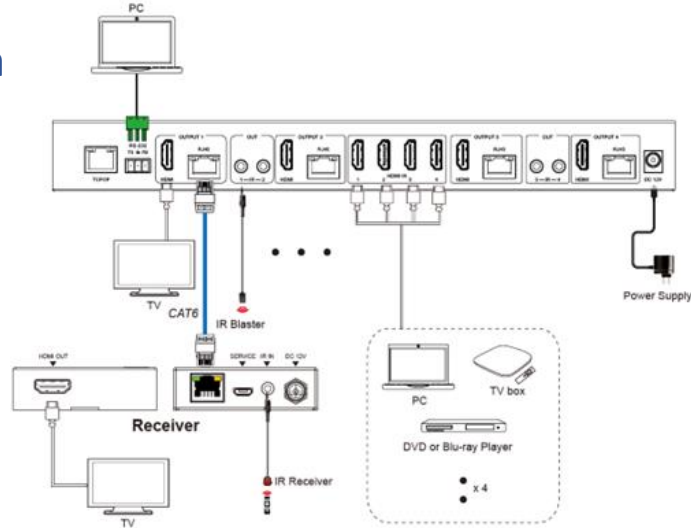
Features

- HDMI 2.0b and HDCP 2.2/1.x compliant
- Video resolutions up to 4K2K@60Hz (YUV 4:4:4) on all HDMI & CAT ports
- 4 HDMI inputs, 4 HDMI + 4 mirrored CAT outputs
- HDMI ports support 18Gbps lossless compressed video bandwidth
- HDR, HDR10, HDR10+, Dolby Vision & HLG
- CAT output can extend the transmission distance up to 230ft/70m via a single CAT6 cable
- HDMI audio pass-through up to 7.1CH HD audio (LPCM, Dolby TrueHD and DTS-HD Master Audio)
- Advanced EDID management and CEC control
- 12V POC on all CAT ports
- One-way IR matrix function
- Control via front panel buttons, IR remote, RS-232, LAN and Web GUI

Applications

- Conference Rooms
- Hospitality
- Digital Signage
- Houses of Worship
- Education
- Restaurants
- Retail
- Residential

Application Diagram



Technical Specifications

Technical	
HDMI Compliance	HDMI 2.0b
HDCP Compliance	HDCP 2.2/1.x
Video Resolutions / Bandwidth	Up to 4K2K@50/60Hz (4:4:4) / 18Gbps
Color Space	RGB 4:4:4, YCbCr 4:4:4/4:2:2/4:2:0
Color Depth	8-bit, 10-bit, 12-bit (1080p@60Hz) 8-bit (4K2K@60Hz YUV4:4:4) 8-bit, 10-bit, 12-bit (4K2K@60Hz YCbCr 4:2:2/4:2:0)
HDR	HDR10, HDR10+, Dolby Vision, HLG
HDMI Audio Formats	LPCM 2.0/2.1/5.1/6.1/7.1, Dolby Digital, Dolby TrueHD, Dolby Digital Plus (DD+), DTS-ES, DTS HD Master, DTS HD-HRA, DTS-X
Transmission Distance	230ft / 70m (via a single CAT6 cable)
ESD Protection	Human-body Model: $\pm 8kV$ (Air-gap discharge) , $\pm 4kV$ (Contact discharge)
Connections	
Matrix	Inputs: 4 x HDMI Type A [19-pin female] Outputs: 4 x HDMI Type A [19-pin female] / 4 x CAT ports [RJ45] Controls: 1 x TCP/IP [RJ45] / 1 x RS-232 [3-pin phoenix connector] 4 x IR OUT [3.5mm Stereo Mini-jack]
CAT Receiver	Inputs: 1 x IR IN [3.5mm Stereo Mini-jack] / 1 x CAT port [RJ45] Output: 1 x HDMI Type A [19-pin female] Control: 1 x SERVICE [Micro USB, Update port]
Mechanical	
Housing	Black Metal Enclosure
Dimensions	Matrix: 320mm (W) \times 100mm (D) \times 36mm (H) Receiver: 61mm (W) \times 88mm (D) \times 18mm (H)
Weight	Matrix: 915g, Receiver: 155g
Power Supply	Input: AC 100 - 240V 50/60Hz Output: DC 12V/2.5A (US/EU standards, CE/FCC/UL certified)
Power Consumption	19.68W (max)
Operating Temperature	0°C \sim 40°C / 32°F \sim 104°F
Storage Temperature	-20°C \sim 60°C / -4°F \sim 140°F
Relative Humidity	20~90% RH (non-condensing)