

DVDO

DVDO-Camera-Ctl-2

IP PTZ Camera Controller with Joystick

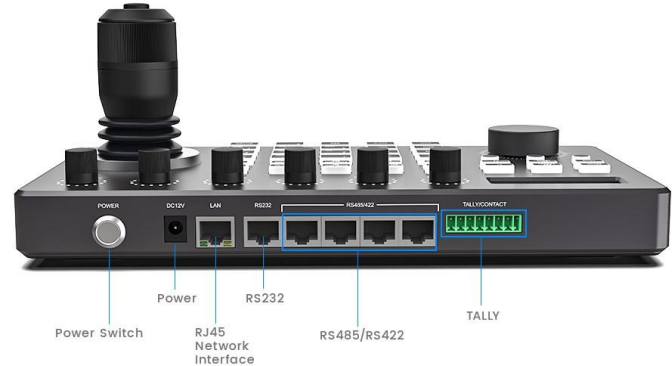
DVDO-Camera-Ctl-2 is a PTZ camera controller with a joystick, an LCD screen as well as multiple knobs and backlit buttons.

It can control up to 255 PTZ cameras over IP and/or serial (hybrid).

Controls include Pan, Tilt, Zoom, PTZ speed, Focus, Iris, White Balance and R/B color correction.

The web-based GUI allows easy set up and configuration of the cameras.

The controller can be powered either by its external power supply or over ethernet (PoE).



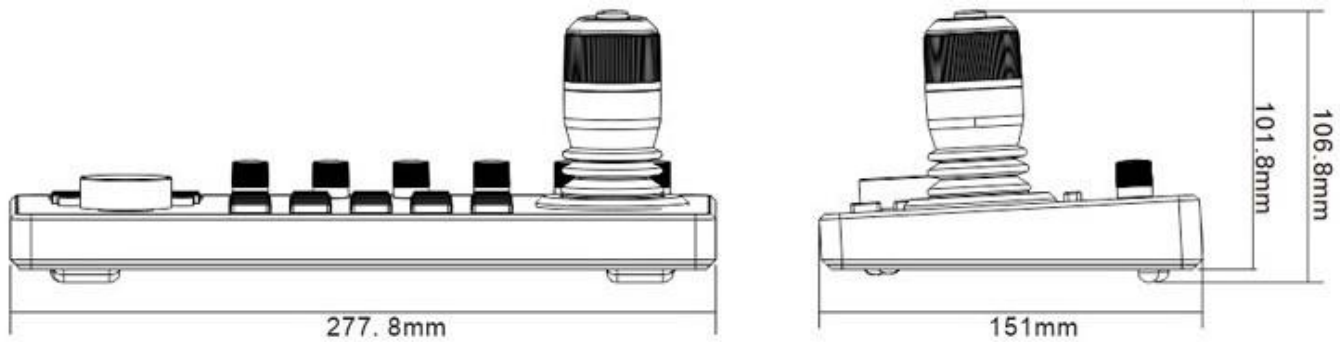
Features

- Controls up to 255 PTZ cameras over IP and/or serial (RS232/RS422/RS485) within the same network
- Supports NDI, ONVIF, VISCA & Pelco protocols and auto-discovery
- 4D joystick (up/down, left/right, zoom in/out, confirm) with variable speed for Pan, Tilt and Zoom controls
- Additional circular knob for zoom adjustment
- 7 buttons for direct camera selections
- Other controls include PTZ speed, Focus, Iris, White Balance and R/B color correction
- Web-based GUI for easy setup and configuration
- Tally control function
- Two power options: PoE or external 12V power supply

Applications

- Education
- Healthcare
- Broadcasting
- Video Conferencing
- Houses of Worship
- Courtrooms
- Live events
- Hospitality

Product Dimensions



Technical Specifications

Power Supply	DC12V-2A
Interface Ports	4 x RS422/RS485 1 x RS232 1 x LAN 1 x Tally light 1 x power
Button Type	Light touch silicon button
Display	128x32 LCD
Power Sound	Button sound prompt on/off
Power Consumption	0.6W max
Protocol	VISCA IP, ONVIF 2.4 & PELCO D/P in default
Working Temperature	0°C~55°C / 14°F~131°F
Working Humidity	20% ~ 80% non-condensation
Product Dimensions	278 x 150 x 110 mm
Product Weight	1.2kg