

DVDO

DVDO-CAT4K-70

4K30 HDMI 70m Extender Over Ethernet with ARC (Tx/Rx)



DVDO-CAT4K-70 is an extender that can transmit HDMI signals up to 230ft/70m for resolutions up to 4K2K@60Hz 4:4:4, 18Gbps via a single CAT6/6a cable.

The transmitter includes an HDMI loop output that can connect to a local display or to another HDMI extender.

It supports EDID copy function (you can choose either local or remote EDID) as well as audio formats up to LPCM7.1, Dolby True HD and DTS HD Master.

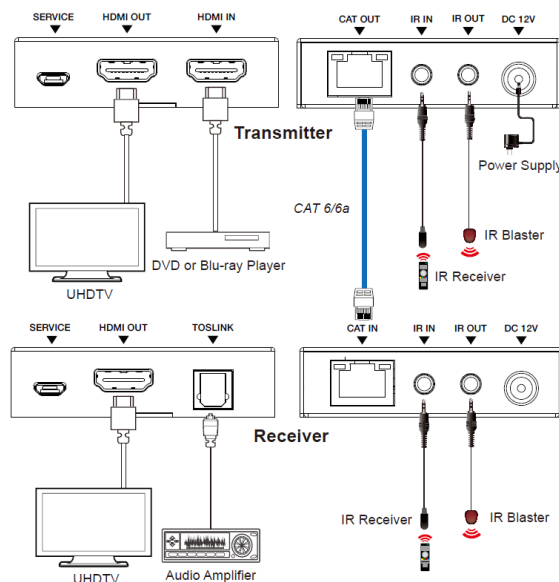
Features

- HDMI 2.0b and HDCP 2.2 compliant
- Supports video resolutions up to 4K2K@60Hz RGB/YCbCr 4:4:4
- Maximum transmission distance: 230ft/70m with CAT6/6a cable
- Can copy EDID from the display connected either to the receiver or to the transmitter's loop out
- Allows cascading to other HDMI extenders through the HDMI loop out
- ARC and audio de-embedding, audio output through the optical port of the receiver
- HDR, HDR10, HDR10+, Dolby Vision, HLG
- Bi-directional PoC (Tx or Rx)
- Bi-directional IR control
- Compact design for easy and flexible installation

Applications

- Conference Rooms
- Hospitality
- Digital Signage
- Houses of Worship
- Education
- Restaurants
- Retail
- Residential

Application Diagram



Technical Specifications

Technical	
Compliance	HDMI 2.0b / HDCP 2.2
Video Resolution & Bandwidth	Up to 4K@60Hz RGB/YCbCr 4:4:4 / 18Gbps
Audio Formats	HDMI: LPCM 7.1CH, Dolby True HD, DTS-HD Master Optical: Dolby 5.1, DTS 5.1, PCM 2.0
IR	Level: 5Vp-p / Frequency: Wideband 20K-60KHz
Transmission Distance	70m for 4K2K@60Hz 4:4:4 & 1080p resolutions (CAT6/6a cable)
Color Space	RGB 4:4:4, YCbCr 4:4:4, YCbCr 4:2:2, YCbCr 4:2:0
Color Depth	8/10/12 bit
HDR	HDR, HDR10, HDR10+, Dolby Vision, HLG
Connections	
Transmitter	Input: 1 x HDMI Type A [19-pin female] Outputs: 1 x HDMI Type A [19-pin female] / 1 x CAT OUT [RJ45, 8-pin female] Control: 1 x SERVICE [Micro-USB jack] / 1 x IR IN [3.5mm Stereo mini-jack] / 1 x IR OUT [3.5mm Stereo mini-jack]
Receiver	Input: 1 x CAT IN [RJ45, 8-pin female] Outputs: 1 x HDMI Type A [19-pin female] / 1 x Toslink Control: 1 x SERVICE [Micro-USB jack] / 1 x IR IN [3.5mm Stereo mini-jack] / 1 x IR OUT [3.5mm Stereo mini-jack]
Mechanical	
Enclosure	Metal / Black
Dimensions	90 (W) x 68 (D) x 18 (H) mm
Product Weight	Transmitter: 160g / Receiver: 155g
Power Supply	12V / 1A DC. Supports bi-directional PoC
Power Consumption	3.36W (max)
Operating Temperature	0°C to 40°C (32°F to 104°F)
Storage Temperature	-20°C to 60°C (-4°F to 140°F)
Humidity	20% to 90% RH, non-condensing