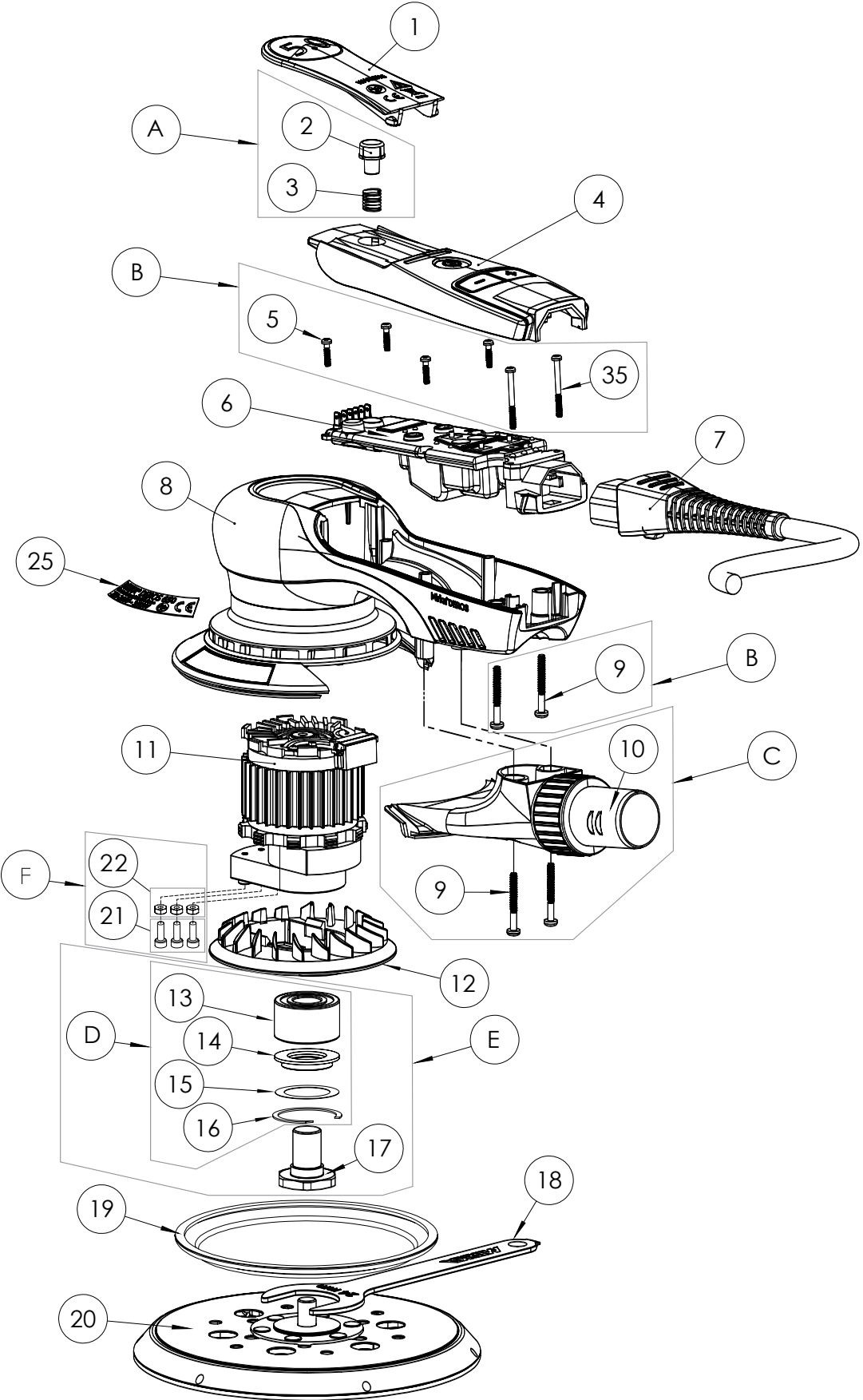


Exploded view of DEROS 125 mm & 150 mm (220–240V)

Updated 05.07.2018



DEROS Spare part kits (220-240V)

Electrical tool must be serviced by a qualified repair person and in accordance with national requirements.

Note! Repairs done by non-authorized repairer will breach the Mirka warranty

Mirka code	Item	Description	Kit	Qty	Tightening torque
MIE6520211		Start Button Kit			
	2	Start Button	A	1	
	3	Start Button Spring		1	
MIE6520511		Screw Kit			
	5	Screws	B	4	0,6 Nm
	9	Housing screws		2	1,4 Nm
35	Screws	2		0,6 Nm	
MIE6521011		Swivel Exhaust Kit			
	9	Housing screws	C	2	1,5 Nm
	10	Swivel Exhaust		1	
MIE6536211		Bearing Dual Seal Kit			
	13	Double Row Bearing		1	
	14	Dual Seal	D	1	
	15	Washer		1	
	16	Retaining Ring		1	
MIE6536011		Spindle Bearing Dual Seal Kit			
	13	Double Row Bearing		1	
	14	Dual Seal	E	1	
	15	Washer		1	
	16	Retaining Ring		1	
17	Spindle 5/16"	1			
8995690101		Balancing Screw Kit			
	21	Screws	F	5	
	22	Nut		3	
	Hex Key	1			
MIE6522511	25	Type Label Kit EU (550, 625, 650, 680)		40	
MIE6522511CN	25	Type Label Kit CN (625, 650)		20	
MIE6522511AN	25	Type Label Kit ANZ (650, 680)		20	

Separate spare parts on next page.

DEROS Spare parts (220-240V)

Mirka code	Item	Description	Kit	Qty	Tightening torque
MIE6210111	1	Lever 2,5 mm (150 mm)		1	
MIE6510111	1	Lever 5,0 mm (125 & 150 mm)		1	
MIE6810111	1	Lever 8,0 mm (150 mm)		1	
	2	Start Button	A	1	
	3	Start Button Spring	A	1	
MIE6510411	4	Cover Plate		1	
	5	Screws	B	4	
MIE6510611	6	Speed Controller*		1	
MIE9016011	7	Rewireable Mains Cable 4,3m CE 230V EU		1	
MIE9017011	7	Rewireable Mains Cable 4,3m CE 230V UK		1	
MIE9017111	7	Rewireable Mains Cable 4,3m CE 230V CH		1	
MIE9017511	7	Rewireable Mains Cable 4,3m CE 230V ANZ		1	
MIE6517411	7	Mains Cable 4,3 m CE 230 V CN		1	
MIE6520811	8	Housing		1	
	9	Housing Screws	B, C	2, 2	
	10	Swivel Exhaust	C	1	
MIE5521111	11	Motor 5,0 mm/100 g Pad (125 mm)*		1	25 Nm
MIE6221111	11	Motor 2,5 mm/130 g Pad (150 mm)*		1	25 Nm
MIE6521111	11	Motor 5,0 mm/130 g Pad (150 mm)*		1	25 Nm
MIE6821111	11	Motor 8,0 mm/130 g Pad (150 mm)*		1	25 Nm
MIE65111B1	11-B	Ground Wire		1	
MIE5511211	12	Fan 5,0 mm/100 g Pad (125 mm)		1	
MIE6211211	12	Fan 2,5 mm/130 g Pad (150 mm)		1	
MIE6511211	12	Fan 5,0 mm/130 g Pad (150 mm)		1	
MIE6811211	12	Fan 8,0 mm/130 g Pad (150 mm)		1	
	13	Double Row Bearing	D, E	1	
	14	Dual Seal	D, E	1	
	15	Washer	D, E	1	
	16	Retaining Ring	D, E	1	
8995603201	17	Spindle 5/16"	E	1	
8995604121	18	Pad Wrench 24mm for 125/150 mm		1	
8995603211	19	Brake Seal		1	
8292502011	20	Backing Pad Net 125 mm 5" 5/16" 28H Medium 100 g		1	
8292502511	20	Backing Pad Net 125 mm 5" 5/16" 28H Medium 130 g		1	
8292605011	20	Backing Pad Net 150 mm 6" 5/16" 48H Medium 130 g		1	
	21	Screws	F	5	
	22	Nut	F	3	
	25	Type Label EU		1	
	25	Type Label CN		1	
	25	Type Label ANZ		1	
	35	Screws	B	2	

* Spare parts only available to authorized repairers.