

**RUBICON**  
LIGHTING

**VOYAGER  
ESCAPE**





**Features:**

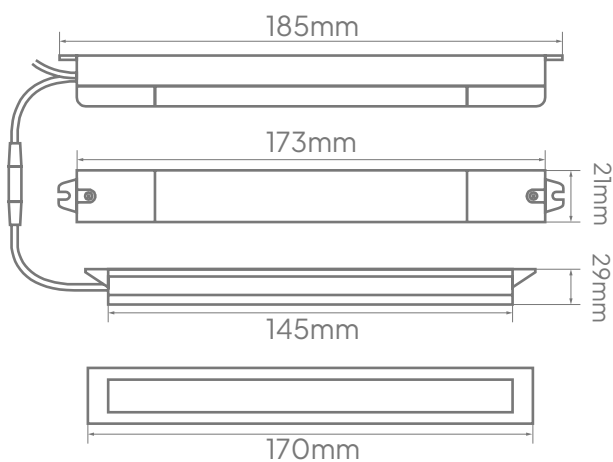
- Non-Maintained Operation
- Super Compact Plug & Play LED
- Easily Achieves 8M Luminaire Spacing
- Manual (DB)
- Self Contained Power Supply
- Minimum Lumen Maintenance: 30 000h (L90B10)



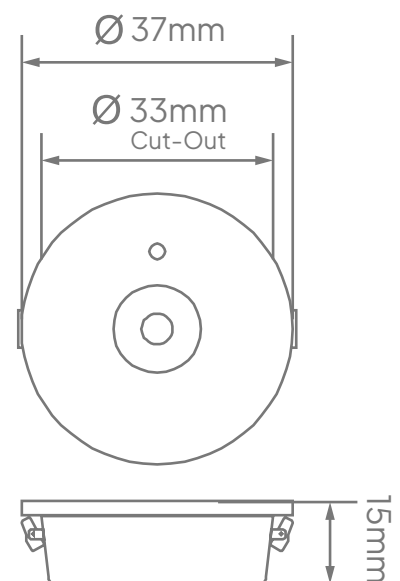
<b>Power Supply:</b>	220-240V AC   50 - 60Hz				
<b>Battery:</b>	Lithium Ion Phosphate				
<b>Emergency Duration:</b>	3 Hours 100% Output				
<b>Colour Rendering Index:</b>	CRI 80+				
<b>Colour Temperature: (Kelvin / CCT)</b>	● 4000K				
<b>Ingress Protection:</b>	IP20				
<b>Luminaire Colour:</b>	○ White				
	<b>Dimensions</b>	<b>Wattage (System)</b>	<b>CRI</b>	<b>Kelvin</b>	<b>Luminous Flux (Effective)</b>
	Ø37mm x 15mm (Ø33mm Cut-Out)	3W	80+	4000K	110Lm*

\*Lumen Output Is Based On Emergency Operation.

**Battery Pack Dimensions:**



**Dimensions:**



\*E & O.E (Errors And Omissions Excepted)

\*Due to the rapid development in LED technology the performance values, power consumption and lumen output levels stated above are subject to change without prior notice.

\*All lumen outputs stated above are based a nominal output that included a 10% light loss, this can vary depending on the optic used.

# Contact

## Cape Town

1B Hansen Close,  
Richmond Park,  
Cape Town  
T. +27 21 555 0570

## Durban

Unit L, Nandi Park,  
34 Brickworks Way  
Briardene  
T. +27 31 001 2964

## Namibia – Windhoek

Unit 2, Tesoro Building,  
31 TV More Street  
Windhoek  
T. +264 61 40 0339

## Johannesburg

17 Galaxy Road,  
Unit 5A Galaxy Park,  
Linbro Park  
T. +27 11 262 5179

## Port Elizabeth

216 Main Road,  
Walmer  
Port Elizabeth  
T. +27 41 451 4359