

RUBICON
LIGHTING

VOLANS





Features:

- Photo-Cell Controller
- Intelligent Soft Light Start
- 2lx Twilight Setting
- Minimum Lumen Maintenance: 50 000h (L70B10)



Battery:	2x Lithium-Iron Phosphate 2000mAh				
Photovoltaic Panel:	Mono-Crystalline				
Colour Rendering Index:	CRI 80+				
Colour Temperature: (Kelvin / CCT)	● 3000K				
Installation Type:	Surface, Wall Mounted				
Ingress Protection:	IP44				
IK Rating:	IK08				
Luminaire Colour:	● Silver ● Anthracite				
Material:	Housing - Powder Coated Aluminium				
	Dimensions	Wattage (System)	CRI	Kelvin	Luminous Flux (Effective)
	242mm x 91mm x 38mm	1W	80+	3000K	140Lm*

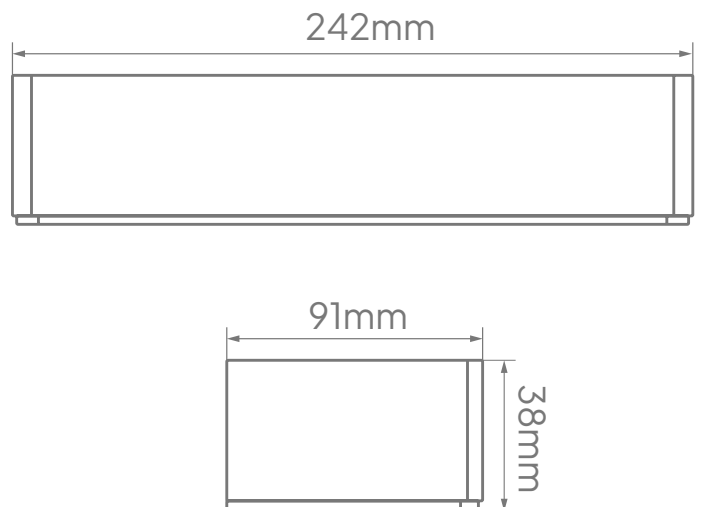


Silver (S)



Anthracite (A)

Dimensions:



*E & O.E (Errors And Omissions Excepted)

*Due to the rapid development in LED technology the performance values, power consumption and lumen output levels stated above are subject to change without prior notice.

*All lumen outputs stated above are based a nominal output that included a 10% light loss, this can vary depending on the optic used.

Contact

Cape Town

1B Hansen Close,
Richmond Park,
Cape Town
T. +27 21 555 0570

Durban

Unit L, Nandi Park,
34 Brickworks Way
Briardene
T. +27 31 001 2964

Namibia – Windhoek

Unit 2, Tesoro Building,
31 TV More Street
Windhoek
T. +264 61 40 0339

Johannesburg

17 Galaxy Road,
Unit 5A Galaxy Park,
Linbro Park
T. +27 11 262 5179

Port Elizabeth

216 Main Road,
Walmer
Port Elizabeth
T. +27 41 451 4359