

RUBICON
LIGHTING

**VITA SQUARE
ADJUSTABLE**





Features:

- Inox AISI 316 Stainless Steel
- Adjustable
- Coastal Quality
- Housing Warranty (3 Year)

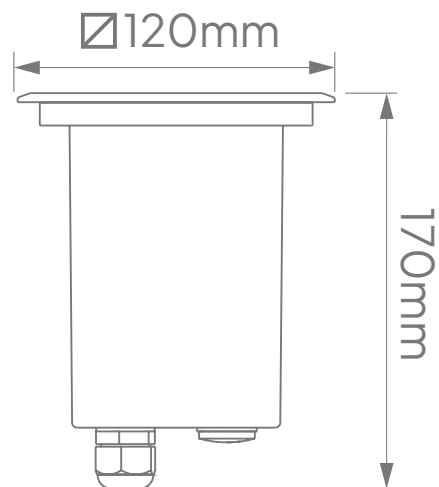


Power Supply:	220 - 240V AC 50 - 60Hz
LED- Module	GU10 LED Compatible (50W Max)
Installation Type:	Recessed, Ground
Ingress Protection:	IP67
IK Rating:	IP10
Dimensions:	120mm x 120mm x 170mm
Material:	Body -Stainless Steel & Technopolymer Diffuser - Clear Tempered Glass

Includes:



Dimensions:



*E & O.E (Errors And Omissions Excepted)

*Subject to change without prior notice.

Contact

Cape Town

1B Hansen Close,
Richmond Park,
Cape Town
T. +27 21 555 0570

Durban

Unit L, Nandi Park,
34 Brickworks Way
Briardene
T. +27 31 001 2964

Namibia – Windhoek

Unit 2, Tesoro Building,
31 TV More Street
Windhoek
T. +264 61 40 0339

Johannesburg

17 Galaxy Road,
Unit 5A Galaxy Park,
Linbro Park
T. +27 11 262 5179

Port Elizabeth

216 Main Road,
Walmer
Port Elizabeth
T. +27 41 451 4359