

**RUBICON**  
LIGHTING

**VITA ROUND  
ADJUSTABLE**





**Features:**

- Inox AISI 316 Stainless Steel
- Adjustable
- Coastal Quality
- Housing Warranty (3 Year)

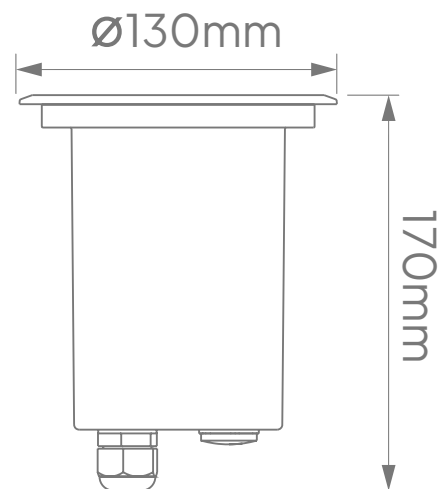


|                            |  |
|----------------------------|--|
| <b>Power Supply:</b>       | 220 - 240V AC   50 - 60Hz  |
| <b>LED- Module</b>         | GU10 LED Compatible (50W Max)  |
| <b>Installation Type:</b>  | Recessed, Ground   |
| <b>Ingress Protection:</b> | IP67   |
| <b>IK Rating:</b>          | IP10   |
| <b>Dimensions:</b>         | Ø130mm x 170mm   |
| <b>Material:</b>           | Body -Stainless Steel & Technopolymer<br>Diffuser - Clear Tempered Glass |

**Includes:**



**Dimensions:**



\*E & O.E ( Errors And Omissions Excepted )

\*Subject to change without prior notice.

# Contact

## Cape Town

1B Hansen Close,  
Richmond Park,  
Cape Town  
T. +27 21 555 0570

## Durban

Unit L, Nandi Park,  
34 Brickworks Way  
Briardene  
T. +27 31 001 2964

## Namibia – Windhoek

Unit 2, Tesoro Building,  
31 TV More Street  
Windhoek  
T. +264 61 40 0339

## Johannesburg

17 Galaxy Road,  
Unit 5A Galaxy Park,  
Linbro Park  
T. +27 11 262 5179

## Port Elizabeth

216 Main Road,  
Walmer  
Port Elizabeth  
T. +27 41 451 4359