

RUBICON
LIGHTING

TRAVOS





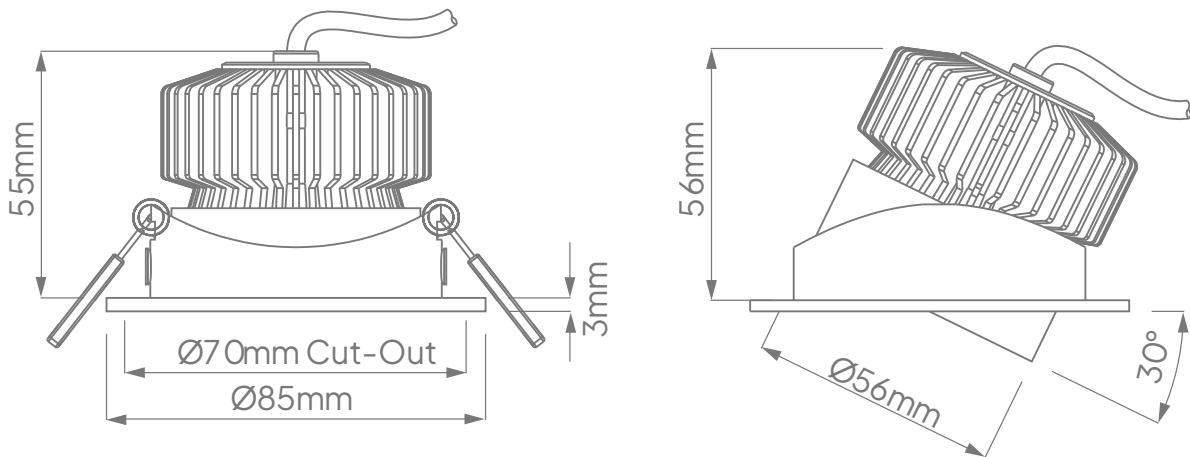
Features:

- Efficacy Of Up To 80lm/W*
- Passive Cooling
- Emergency Backup Option Available (On Request)
- Supplied With Protective Glass
- Adjustable Tilt
- Minimum Lumen Maintenance: 50 000h (L80B10)



| | | | | | |
|---|---|-----------------------------|------------|---------------|--------------------------------------|
| Power Supply: | 220 - 240V AC 50 - 60Hz | | | | |
| Operating Temperature Range: (Ta - Ambient) | - 20°C to 35°C | | | | |
| Colour Rendering Index: | CRI 80+ | | | | |
| Colour Consistency: | 2-Step MacAdam | | | | |
| Colour Temperature: (Kelvin / CCT) | <input checked="" type="radio"/> 3000K <input type="radio"/> 4000K | | | | |
| Beam Angle: | 38° | | | | |
| Installation Type: | Recessed, Ceiling Mounted Luminaire | | | | |
| Ingress Protection: | IP43 | | | | |
| Luminaire Colour: | <input type="radio"/> White | | | | |
| Material: | Housing - Powder Coated Aluminium | | | | |
| | Dimensions | Wattage (System) | CRI | Kelvin | Luminous Flux (Effective) |
| | Ø84mm x 52mm(Ø70mm Cut-Out) | 8W | 80+ | 3000K | 628Lm* |
| | Ø84mm x 52mm(Ø70mm Cut-Out) | 8W | 80+ | 4000K | 642Lm* |

Dimensions:



*E & O.E (Errors And Omissions Excepted)

*Due to the rapid development in LED technology the performance values, power consumption and lumen output levels stated above are subject to change without prior notice.

*All lumen outputs stated above are based a nominal output that included a 10% light loss, this can vary depending on the optic used.

Contact

Cape Town

1B Hansen Close,
Richmond Park,
Cape Town
T. +27 21 555 0570

Durban

Unit L, Nandi Park,
34 Brickworks Way
Briardene
T. +27 31 001 2964

Namibia – Windhoek

Unit 2, Tesoro Building,
31 TV More Street
Windhoek
T. +264 61 40 0339

Johannesburg

17 Galaxy Road,
Unit 5A Galaxy Park,
Linbro Park
T. +27 11 262 5179

Port Elizabeth

216 Main Road,
Walmer
Port Elizabeth
T. +27 41 451 4359