

**RUBICON**  
LIGHTING

## TIBERIUS 185





**Features:**

- Efficacy Of Up To 118lm/W\*
- Inox AISI 316 Stainless Steel
- Adjustable
- Coastal Quality
- Minimum Lumen Maintenance: 50 000h (L80B20)



<b>Power Supply:</b>	220 - 240V AC   50 - 60Hz				
<b>Colour Rendering Index:</b>	CRI 80+				
<b>Colour Consistency:</b>	3-Step MacAdam				
<b>Colour Temperature: (Kelvin / CCT)</b>	<input type="radio"/> 3000K <input type="radio"/> 4000K				
<b>Reflector Options:</b>	15° _ 60°				
<b>Installation Type:</b>	Recessed Ground				
<b>Ingress Protection:</b>	IP67				
<b>IK Rating:</b>	IK10				
<b>Material:</b>	Housing - Stainless Steel & Aluminium Body Diffuser - Tempered Glass				
	<b>Dimensions</b>	<b>Wattage (System)</b>	<b>CRI</b>	<b>Kelvin</b>	<b>Luminous Flux (Effective)</b>
	Ø185mm x 156mm	16W	80+	3000K	1890Lm*
	Ø185mm x 156mm	16W	80+	4000K	2034Lm*

15° Reflector



60° Reflector



**Includes:**

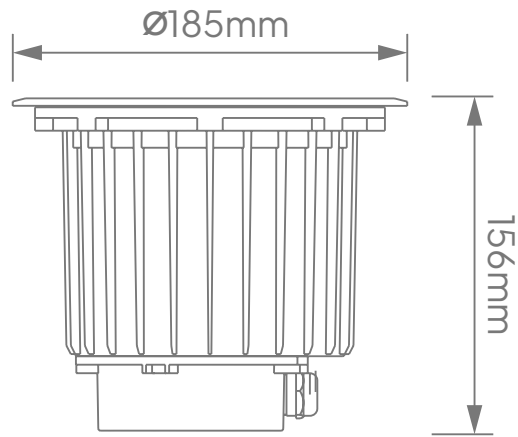


\*E & O.E (Errors And Omissions Excepted)

\*Due to the rapid development in LED technology the performance values, power consumption and lumen output levels stated above are subject to change without prior notice.

\*All lumen outputs stated above are based a nominal output that included a 10% light loss, this can vary depending on the optic used.

**Dimensions:**



\*E & O.E (Errors And Omissions Excepted)

\*Due to the rapid development in LED technology the performance values, power consumption and lumen output levels stated above are subject to change without prior notice.

\*All lumen outputs stated above are based a nominal output that included a 10% light loss, this can vary depending on the optic used.

# Contact

## Cape Town

1B Hansen Close,  
Richmond Park,  
Cape Town  
T. +27 21 555 0570

## Durban

Unit L, Nandi Park,  
34 Brickworks Way  
Briardene  
T. +27 31 001 2964

## Namibia – Windhoek

Unit 2, Tesoro Building,  
31 TV More Street  
Windhoek  
T. +264 61 40 0339

## Johannesburg

17 Galaxy Road,  
Unit 5A Galaxy Park,  
Linbro Park  
T. +27 11 262 5179

## Port Elizabeth

216 Main Road,  
Walmer  
Port Elizabeth  
T. +27 41 451 4359