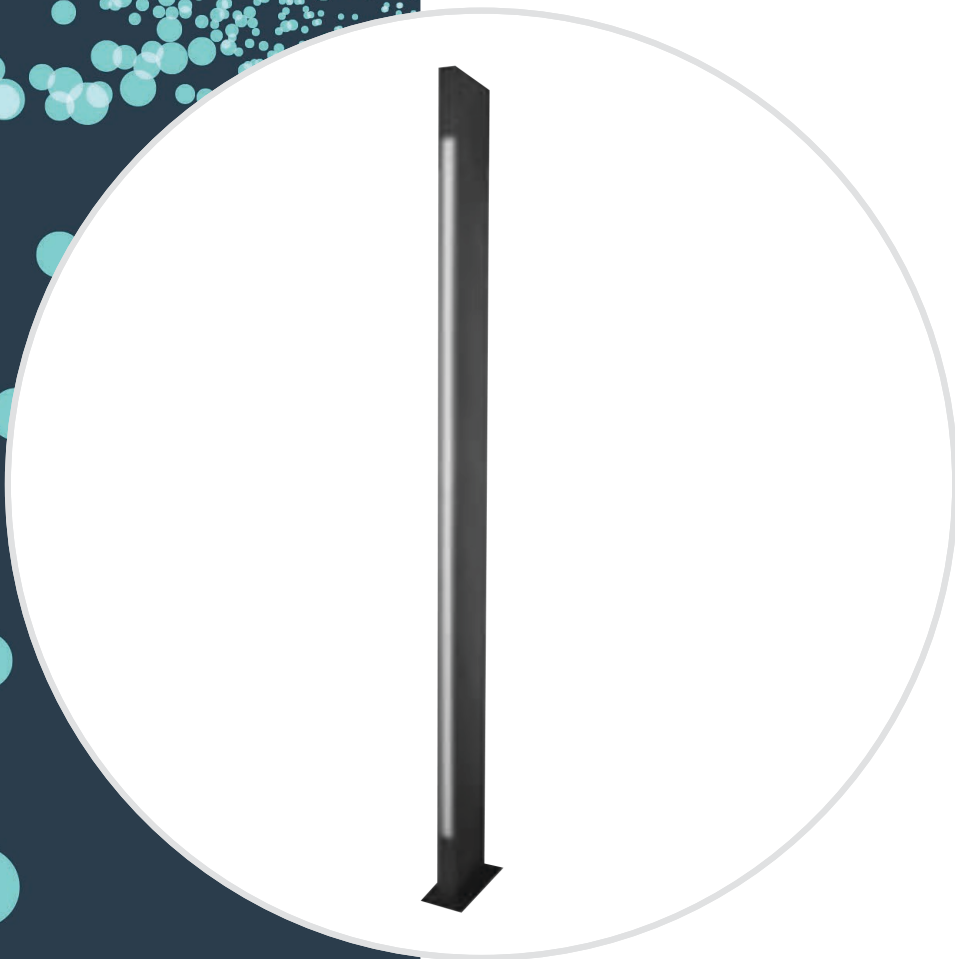


RUBICON
LIGHTING

**SPLINTER
2 WAY BOLLARD**





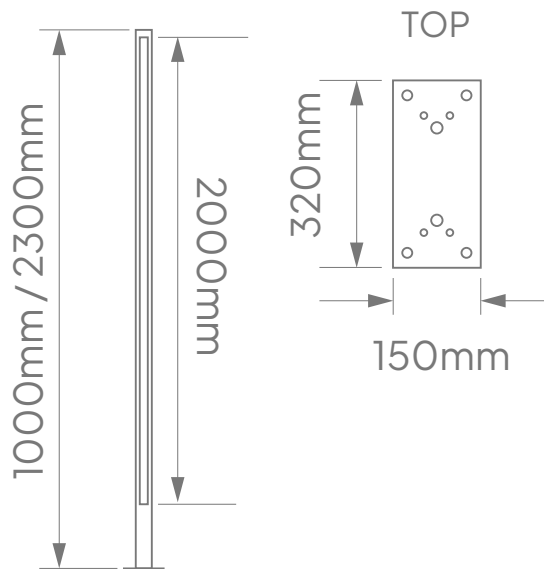
Features:

- Efficacy Of Up To 105lm/W*
- Access Door
- Imported UV Stabilized Opal Acrylic Lens
- Minimum Lumen Maintenance: 50 000h (L80B10)



Power Supply:	220-240V AC 50 - 60Hz				
Colour Rendering Index:	CRI 80+				
Colour Temperature: (Kelvin / CCT)	● 4000K				
Colour Consistency:	3 Step MacAdam				
Installation Type:	Surface Mounted				
Ingress Protection:	IP65				
IK Rating:	IK03				
Luminaire Colour:	● Black				
Material:	<ul style="list-style-type: none"> • Powder Coated Extruded Aluminium • UV Stabilized Opal Acrylic Lens 				
	Dimensions	Wattage (System)	CRI	Kelvin	Luminous Flux (Effective)
	1000mm x 320mm x 150mm (Base Plate 190mm x 80mm)	2x 19W	80+	4000K	2x 2000Lm*

Dimensions:



*E & O.E (Errors And Omissions Excepted)

*Due to the rapid development in LED technology the performance values, power consumption and lumen output levels stated above are subject to change without prior notice.

*All lumen outputs stated above are based a nominal output that included a 10% light loss, this can vary depending on the optic used.

Contact

Cape Town

1B Hansen Close,
Richmond Park,
Cape Town
T. +27 21 555 0570

Durban

Unit L, Nandi Park,
34 Brickworks Way
Briardene
T. +27 31 001 2964

Namibia – Windhoek

Unit 2, Tesoro Building,
31 TV More Street
Windhoek
T. +264 61 40 0339

Johannesburg

17 Galaxy Road,
Unit 5A Galaxy Park,
Linbro Park
T. +27 11 262 5179

Port Elizabeth

216 Main Road,
Walmer
Port Elizabeth
T. +27 41 451 4359