

**RUBICON**  
LIGHTING

## SHEA TRIO B



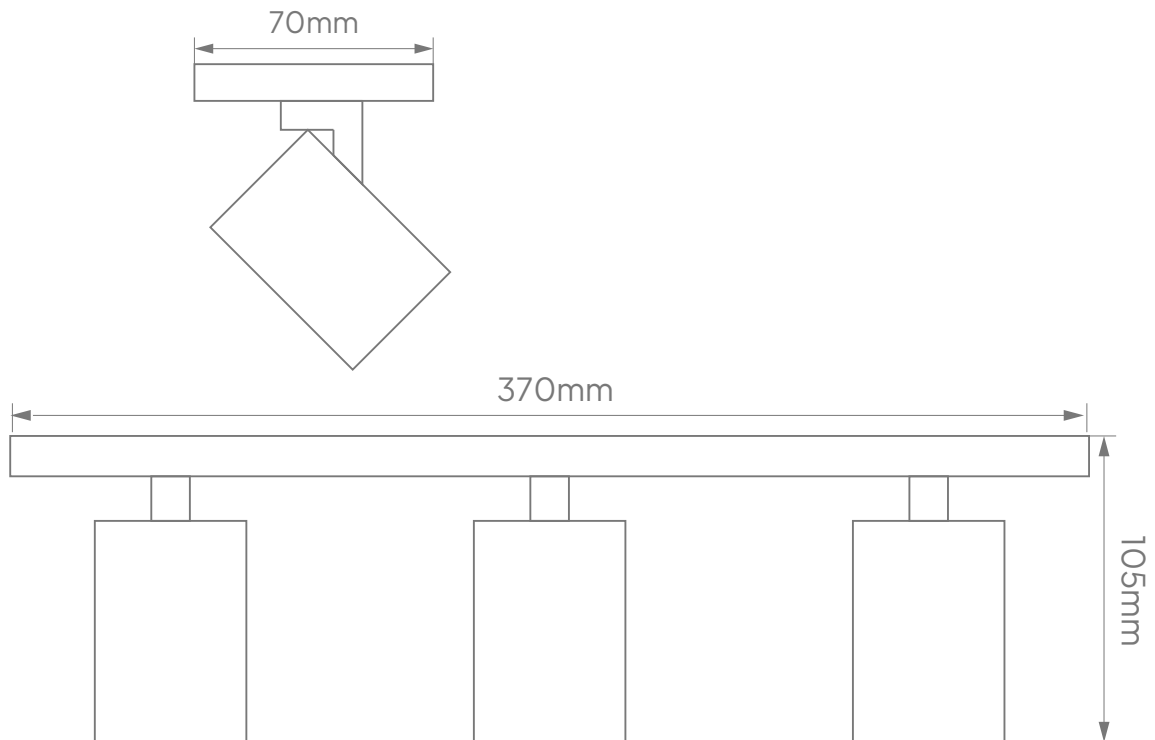


**Features:**

- Replaceable GU10 Lamp (Lamp Not Included)
- Adjustable Tilt
- Housing Warranty (3 Year)

<b>Power Supply:</b>	220-240V AC   50 - 60Hz
<b>LED- Module</b>	GU10 LED Compatible 35W (Max)
<b>Installation Type:</b>	Surface Mount
<b>Ingress Protection:</b>	IP20
<b>Dimensions:</b>	370mm x 105mm x 70mm
<b>Luminaire Colour:</b>	<input type="radio"/> Sand White <input checked="" type="radio"/> Sand Black
<b>Material:</b>	Body - Powder coated aluminium alloy

**Dimensions:**



\*E & O.E ( Errors And Omissions Excepted )

\*Subject to change without prior notice.

# Contact

## Cape Town

1B Hansen Close,  
Richmond Park,  
Cape Town  
T. +27 21 555 0570

## Durban

Unit L, Nandi Park,  
34 Brickworks Way  
Briardene  
T. +27 31 001 2964

## Namibia – Windhoek

Unit 2, Tesoro Building,  
31 TV More Street  
Windhoek  
T. +264 61 40 0339

## Johannesburg

17 Galaxy Road,  
Unit 5A Galaxy Park,  
Linbro Park  
T. +27 11 262 5179

## Port Elizabeth

216 Main Road,  
Walmer  
Port Elizabeth  
T. +27 41 451 4359