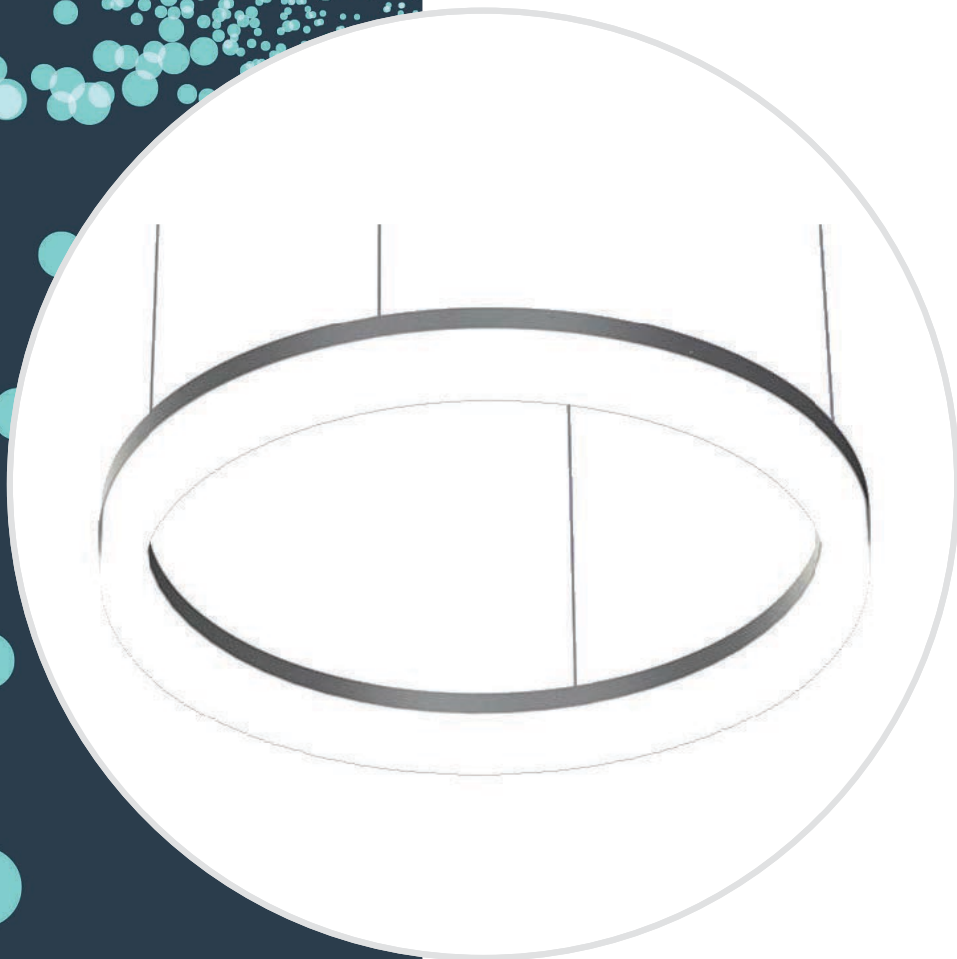


**RUBICON**  
LIGHTING

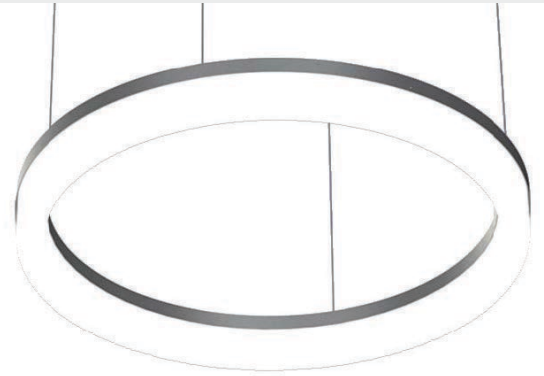
# SAPPHIRE





**Features:**

- Efficacy Of Up To 84lm/W\*
- Dali Control (On Request)
- Dimming Control
  - Control Via Wall Mounted Bell Press Switch
  - Control Via BMS Dali Interface
- Minimum Lumen Maintenance: 50 000h (L80B10)



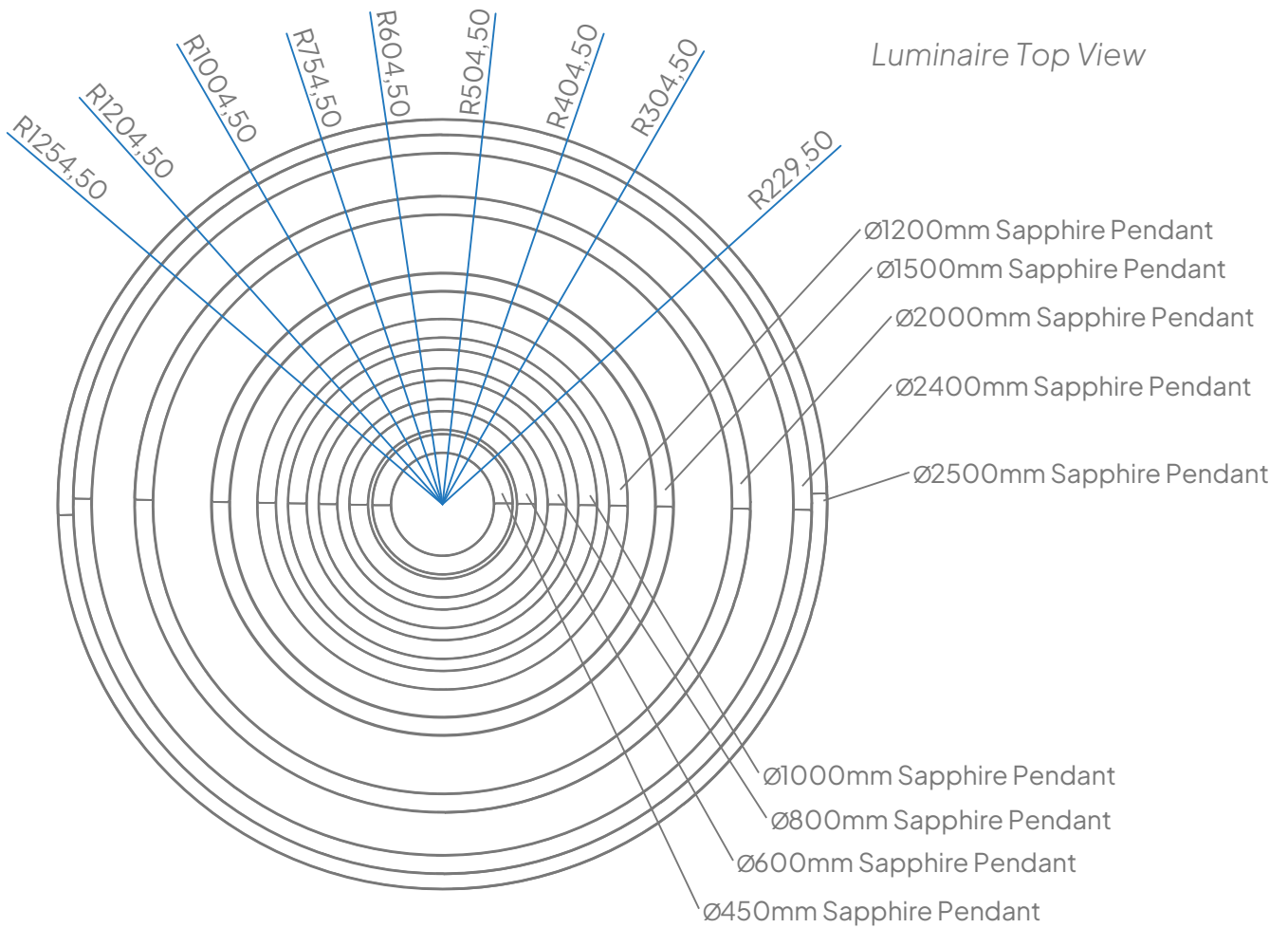
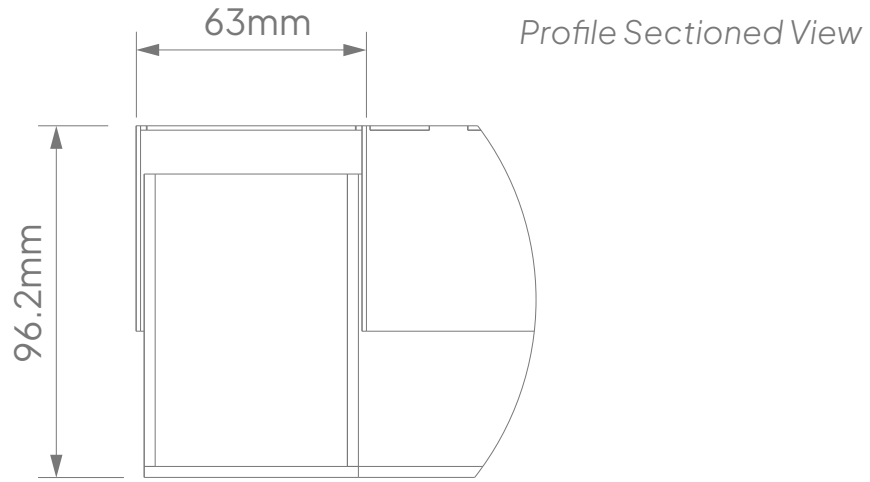
<b>Power Supply:</b>	207 - 253V AC   50 - 60Hz				
<b>Operating Temperature Range:</b> (Ta - Ambient)	- 20°C to 35°C				
<b>Colour Rendering Index:</b>	CRI 80+				
<b>Dimming:</b>	Dali (On Request)				
<b>Colour Consistency:</b>	3-Step MacAdam				
<b>Colour Temperature:</b> (Kelvin / CCT)	<input checked="" type="radio"/> 3000K <input type="radio"/> 5000K <input type="radio"/> 4000K				
<b>Beam Angle:</b>	110°				
<b>Installation Type:</b>	Suspension				
<b>Ingress Protection:</b>	IP40				
<b>Luminaire Colour:</b>	<input type="radio"/> White <input checked="" type="radio"/> Black <input type="radio"/> Silver				
<b>Material:</b>	Body - Powder coated laser cut and roll formed mild steel Diffuser - 2mm Opalized PMMA				
	<b>Dimensions</b>	<b>Wattage (System)</b>	<b>CRI</b>	<b>Kelvin</b>	<b>Luminous Flux (Effective)</b>
	Ø450mm x 80mm	7.5W	80+	4000K	630Lm*
	Ø450mm x 80mm	15W	80+	4000K	1260Lm*
	Ø600mm x 80mm	9.5W	80+	4000K	798Lm*
	Ø600mm x 80mm	19W	80+	4000K	1596Lm*
	Ø800mm x 80mm	13W	80+	4000K	1092Lm*
	Ø800mm x 80mm	25W	80+	4000K	2184Lm*
	Ø1000mm x 80mm	16W	80+	4000K	1344Lm*
	Ø1000mm x 80mm	31W	80+	4000K	2688Lm*
	Ø1200mm x 80mm	19W	80+	4000K	1597Lm*
	Ø1200mm x 80mm	37W	80+	4000K	3192Lm*

\*E & O.E (Errors And Omissions Excepted)

\*Due to the rapid development in LED technology the performance values, power consumption and lumen output levels stated above are subject to change without prior notice.

\*All lumen outputs stated above are based a nominal output that included a 10% light loss, this can vary depending on the optic used.

**Dimensions:**



\*E & O.E (Errors And Omissions Excepted)

\*Due to the rapid development in LED technology the performance values, power consumption and lumen output levels stated above are subject to change without prior notice.

\*All lumen outputs stated above are based a nominal output that included a 10% light loss, this can vary depending on the optic used.

# Contact

## Cape Town

1B Hansen Close,  
Richmond Park,  
Cape Town  
T. +27 21 555 0570

## Durban

Unit L, Nandi Park,  
34 Brickworks Way  
Briardene  
T. +27 31 001 2964

## Namibia – Windhoek

Unit 2, Tesoro Building,  
31 TV More Street  
Windhoek  
T. +264 61 40 0339

## Johannesburg

17 Galaxy Road,  
Unit 5A Galaxy Park,  
Linbro Park  
T. +27 11 262 5179

## Port Elizabeth

216 Main Road,  
Walmer  
Port Elizabeth  
T. +27 41 451 4359