

RUBICON
LIGHTING

RITZA





Features:

- Suitable For Use In Prison Cell Subway, Magistrate/Police Holding Cells, Railway Stations And Small Factories
- Vandal Resistant Screws
- SABS Certified Complying With SABS/IEC 60598
- Emergency Backup Option Available (On Request)
- Minimum Lumen Maintenance: 50 000h (L70B10)



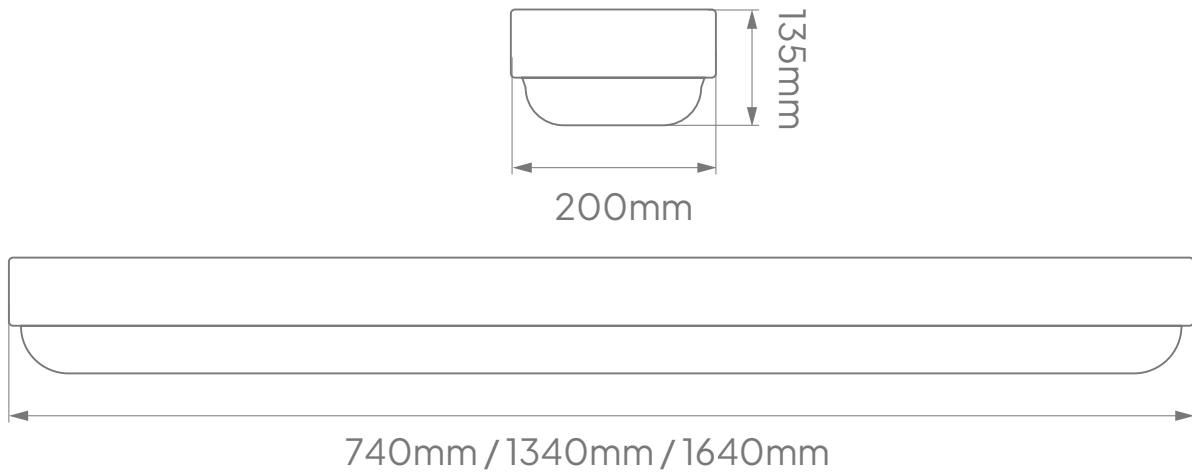
Power Supply:	220-240V AC 50 - 60Hz				
Operating Temperature Range: (Ta - Ambient)	- 20°C to 35°C				
Lamp Type:	T8 Lamps				
Colour Rendering Index:	CRI 70+				
Colour Consistency:	4-Step MacAdam				
Colour Temperature: (Kelvin / CCT)	● 3000K				
Beam Angle:	110°				
Installation Type:	Surface Mounted				
Ingress Protection:	IP66				
IK Rating:	IK08				
Luminaire Colour:	○ White ● Black ○ Custom Colours Available On Request				
Material:	Body - Powder Coated 304 Or 316 Stainless Steel Diffuser - Jb Polycarbonate				
	Dimensions	Wattage (System)	CRI	Kelvin	Lamp
	740mm x 200mm x 135mm	52W	70+	5000K	2x18W
	740mm x 200mm x 135mm	60W	70+	5000K	2x 18W / 1x 9W CFL
	1340mm x 200mm x 135mm	41W	70+	5000K	36W
	1340mm x 200mm x 135mm	84W	70+	5000K	2x 36W
	1340mm x 200mm x 135mm	98W	70+	5000K	2x 36W / 1x 9W CFL
	1640mm x 200mm x 135mm	63W	70+	5000K	58W
	1640mm x 200mm x 135mm	156W	70+	5000K	2x 58W
	1640mm x 200mm x 135mm	165W	70+	5000K	2x 58W / 1x 9W CFL

*E & O.E (Errors And Omissions Excepted)

*Due to the rapid development in LED technology the performance values, power consumption and lumen output levels stated above are subject to change without prior notice.

*All lumen outputs stated above are based a nominal output that included a 10% light loss, this can vary depending on the optic used.

Dimensions:



*E & O.E (Errors And Omissions Excepted)

*Due to the rapid development in LED technology the performance values, power consumption and lumen output levels stated above are subject to change without prior notice.

*All lumen outputs stated above are based a nominal output that included a 10% light loss, this can vary depending on the optic used.

Contact

Cape Town

1B Hansen Close,
Richmond Park,
Cape Town
T. +27 21 555 0570

Durban

Unit L, Nandi Park,
34 Brickworks Way
Briardene
T. +27 31 001 2964

Namibia – Windhoek

Unit 2, Tesoro Building,
31 TV More Street
Windhoek
T. +264 61 40 0339

Johannesburg

17 Galaxy Road,
Unit 5A Galaxy Park,
Linbro Park
T. +27 11 262 5179

Port Elizabeth

216 Main Road,
Walmer
Port Elizabeth
T. +27 41 451 4359