

RUBICON
LIGHTING

Protective Lighting



Protective Lighting (3-17)



Aimon



Alvaro



Blaz Explosion Proof



Chadd



Edo



Hida Explosion Proof



Ilma



Lex 60



Lex 160



Metropolis Weather Proof



Orthrus Emergency



Protega



Ritza



Saxa Triproof



Features:

- Efficacy Of Up To 136Lm/W*
- Designed For Zones 2 And 22 Hazardous Areas
- Explosion Protection: Ex Na IIC T6 Gc / Ex tc IIIC T85°C Dc/Db
- Minimum Lumen Maintenance: 60 000h (L70B10)

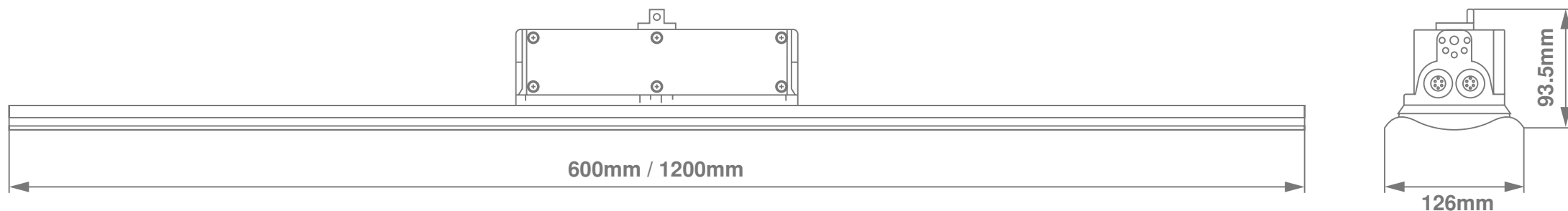


Ordering Example: Product Name/CRI/Kelvin/Beam Angle/Clear Or Diffused/Length/Wattage (e.g. Aimon/80/5000/120/C/600/38W)

Input Power	LED-Modules	Colour Consistency	Installation Type	Material	Beam Angles	Kelvin
100 - 277 V	CRI 80+	-	Suspension Mounting Wall Mounted Surface Mounted Pole Mounted	Die-Cast Aluminium Heat & Impact Resistant Polycarbonate	120° Clear (C) Or Diffused (D)	5000K

Product Code	Dimensions	CRI	K	W (System)	LM (System)
Aimon/80/5000/600/38W	600mm x 126mm x 93.5mm	80+	5000K	38W	5035Lm*
Aimon/80/5000/1200/74W	1200mm x 126mm x 93.5mm	80+	5000K	74W	10097Lm*

Dimensions:



*All Lumen Outputs Stated Above Are Based A Nominal Output That Included A 10% Light Loss, This Can Vary Depending On The Optic Used.



Features:

- Explosion Protection: Ex nA IIC T4 Gc
- Minimum Lumen Maintenance: 50 000h (L70B10)
- Designed For Zones 2, 21 And 22 Hazardous Areas

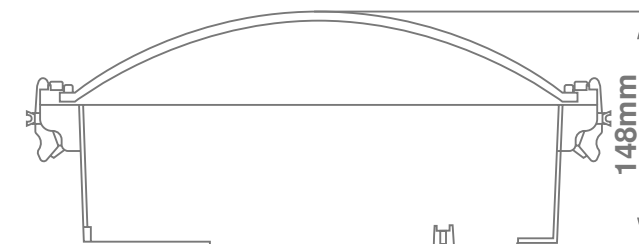
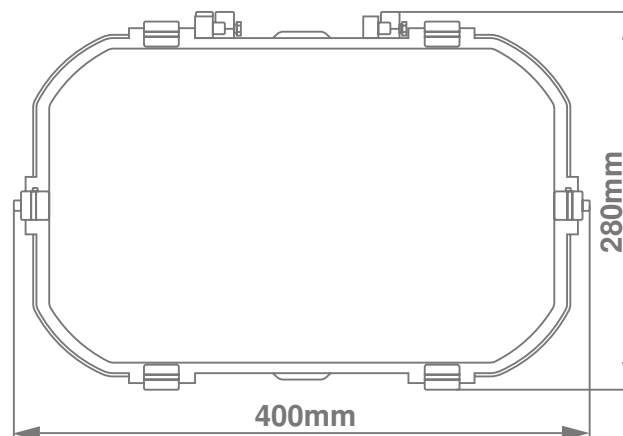


Ordering Example:Product Name/Kelvin/Wattage (e.g. Alvaro/5000/30W)

Input Power	LED-Modules	Colour Consistency	Installation Type	Material	Beam Angles	Kelvin
220-240 V	-	4-Step MacAdam	Wall Mounted Pole Mounted Surface Mounted	Die-Cast Aluminium Clear Armour Plate Glass	110°	5000K

Product Code	Dimensions	CRI	K	W (System)	LM (System)
Alvaro/5000/30W	400mm x 280mm x 148mm	-	5000K	30W	2471Lm*

Dimensions:



**Various Kelvin and CRI options available to suit project requirements, available on request.*

**All Lumen Outputs Stated Above Are Based A Nominal Output That Included A 10% Light Loss, This Can Vary Depending On The Optic Used.*



Features:

- Efficacy Of Up To 120 Lm/W*
- Explosion Protection: Ex d IIC T6 Gc / Ex tc IIIC T85° Dc
- Designed For Zones 1, 2, 21 And 22 Hazardous Areas
- Minimum Lumen Maintenance: 60 000h (L70B10)

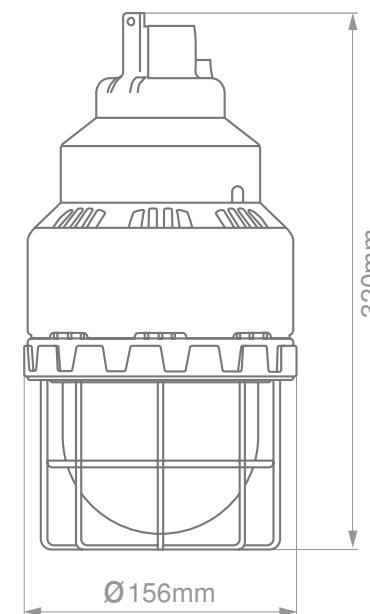


Ordering Example: Product Name/CRI/Kelvin/Mounting/Wattage (e.g. Blaz/80/5000/SUS/40W)

Input Power	LED-Modules	Colour Consistency	Installation Type	Material	Beam Angle	Kelvin
100-277 V	CRI 80+	-	Pendant (PE) Suspension Mounting (SUS) Wall Mounted (W) Pole Mounted 30° (PO)	Powder Coated Aluminium Alloy Heat & Impact Resistant Borosilicate Glass	180°	5000K

Product Code	Dimensions	CRI	K	W (System)	LM (System)
Blaz/80/5000/20W	Ø 156mm x 320mm	80+	5000K	20W	2693Lm*
Blaz/80/5000/30W	Ø 156mm x 320mm	80+	5000K	30W	3516Lm*
Blaz/80/5000/40W	Ø 156mm x 320mm	80+	5000K	40W	5177Lm*

Dimensions:



*All Lumen Outputs Stated Above Are Based A Nominal Output That Included A 10% Light Loss, This Can Vary Depending On The Optic Used.



Features:

- Efficacy Of Up To 136Lm/W*
- Designed For Zones 2, 21 And 22 Hazardous Areas
- Explosion Protection: Ex nA IIC T4 Gc
- Minimum Lumen Maintenance: 50 000h (L90B10)

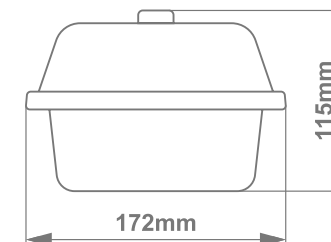
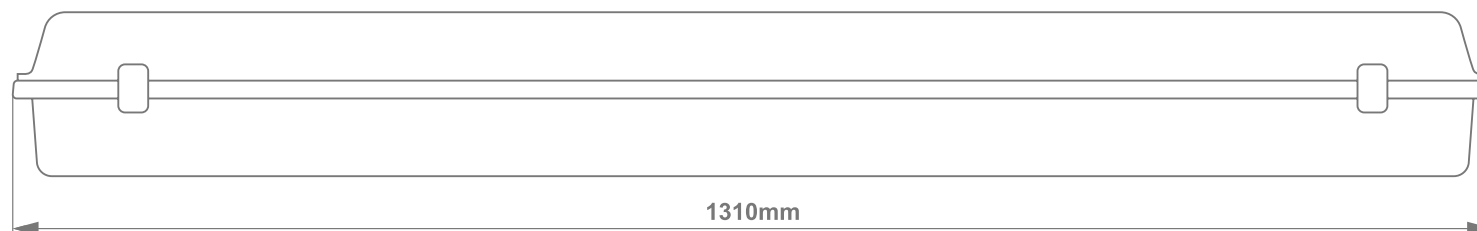


Ordering Example: Product Name/CRI/Kelvin/Wattage (e.g. Chadd/80/4000/64W)

Input Power	LED-Modules	Colour Consistency	Installation Type	Material	Beam Angles	Kelvin
220-240 V	CRI 80+	-	Surface Mounted Wall Mounted Pole Mounted Chain Suspension	GRP Fibreglass Body Injection Moulded Polycarbonate Lens With Internal Prism	-	4000K

Product Code	Dimensions	ZONES	CRI	K	W (System)	LM (System)
Chadd/80/4000/47W	1310mm x 172mm x 115mm	2	80+	4000K	47W	6283Lm*
Chadd/80/4000/64W	1610mm x 172mm x 115mm	21 & 22	80+	4000K	64W	8736Lm*

Dimensions:



*All Lumen Outputs Stated Above Are Based A Nominal Output That Included A 10% Light Loss, This Can Vary Depending On The Optic Used.



Features:

- Suitable For Use In Prison Cell Subway, Magistrate/Police Holding Cells, Railway Stations And Small Factories
- Vandal Resistant Screws
- SABS Certified Complying With SABS/IEC 60598
- Minimum Lumen Maintenance: 50 000h (L70B10)

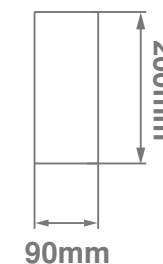


Ordering Example: Product Name/Night Light(NL)/Kelvin/CRI/Length/Wattage (e.g. Edo/NL/5000/70/1300/41W)

Input Power	Module	Colour Consistency	Installation Type	Material	Beam Angle
220-240 V	T8 Lamps	4-Step MacAdam	Surface Mounted	Powder Coated 304 Or 316 Stainless Steel Body Clear Polycarbonate Diffuser	110°

Product Code	Dimensions	CRI	K	W (System)	Lamp
Edo/70/5000/686/35W	686mm x 200mm x 90mm	70	5000K	35W	2x 11W CFL
Edo/70/5000/686/52W	686mm x 200mm x 90mm	70	5000K	52W	2x 18W
Edo/NL/70/5000/686/60W	686mm x 200mm x 90mm	70	5000K	60W	2x 18W / 1x 9W CFL
Edo/70/5000/1300/41W	1300mm x 200mm x 90mm	70	5000K	41W	1x 36W
Edo/70/5000/1300/89W	1300mm x 200mm x 90mm	70	5000K	89W	2x 36W
Edo/NL/70/5000/1300/98W	1300mm x 200mm x 90mm	70	5000K	98W	2x 36W / 1x 9W CFL
Edo/70/5000/1600/63W	1600mm x 200mm x 90mm	70	5000K	63W	1x 58W
Edo/70/5000/1600/156W	1600mm x 200mm x 90mm	70	5000K	156W	2x 58W
Edo/NL/70/5000/1600/165W	1600mm x 200mm x 90mm	70	5000K	165W	2x 58W / 1x 9W CFL

Dimensions:



355mm / 686mm / 1300mm / 1600mm



*NL - With Night Light



Features:

- Efficacy Of Up To 120Lm/W*
- Explosion Protection: Ex d IIC T5 Gb / Ex tb IIIB T100°C Db
- Designed For Zones 1, 2, 21 And 22 Hazardous Areas
- Minimum Lumen Maintenance: 60 000h (L70B10)

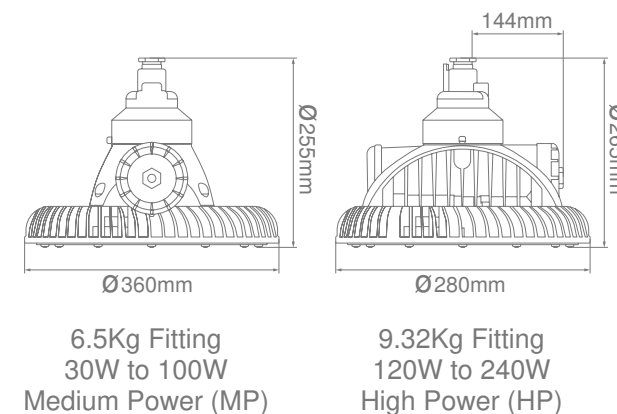


Ordering Example: Product Name/CRI/Kelvin/Mounting/Beam Angle/Clear Or Diffused/Medium Or High Power/Wattage (e.g. Hida/80/5000/PO/120/D/HP/200W)

Input Power	LED-Modules	Colour Consistency	Installation Type	Material	Beam Angles	Kelvin
100 - 277 V	CRI 80+	4-Step MacAdam	Wall Mounted (W) Surface Mounted (SUR) Pole Mounted (PO) Pendant (PE)	Die-Cast Aluminium Heat & Impact Resistant Tempered Glass	120° Clear (C) Or Diffused (D)	5000K

Product Code	Dimensions	CRI	K	W (System)	LM (System)
Hida/MP/80/5000/30W	Ø360mm x 255mm	80+	5000K	30W	3963Lm*
Hida/MP/80/5000/50W	Ø360mm x 255mm	80+	5000K	50W	5825Lm*
Hida/MP/80/5000/80W	Ø360mm x 255mm	80+	5000K	80W	9778Lm*
Hida/MP/80/5000/100W	Ø360mm x 255mm	80+	5000K	100W	11768Lm*
Hida/HP/80/5000/120W	Ø280mm x 265mm	80+	5000K	120W	12230Lm*
Hida/HP/80/5000/150W	Ø280mm x 265mm	80+	5000K	150W	14512Lm*
Hida/HP/80/5000/200W	Ø280mm x 265mm	80+	5000K	200W	19853Lm*
Hida/HP/80/5000/240W	Ø280mm x 265mm	80+	5000K	240W	22168Lm*

Dimensions:



*All Lumen Outputs Stated Above Are Based A Nominal Output That Included A 10% Light Loss, This Can Vary Depending On The Optic Used.



Features:

- Efficacy Of Up To 92Lm/W*
- Designed For Zones 2, 21 And 22 Hazardous Areas
- Minimum Lumen Maintenance: 50 000h (L90B10)

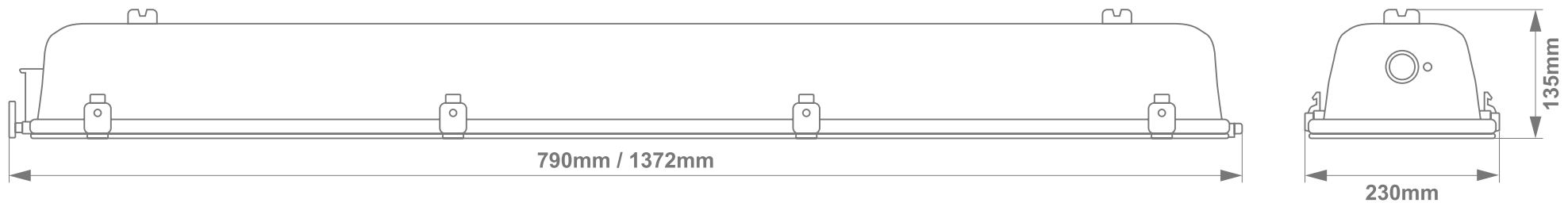


Ordering Example: Product Name/CRI/Kelvin/Length/Wattage (e.g. Ilma/80/4000/790/33W)

Input Power	LED-Modules	Colour Consistency	Installation Type	Material	Beam Angles	Kelvin
220-240 V	CRI 80+	-	Pole Clamp Mounting Hook Suspension	304 Stainless Steel Housing Clear Tempered Glass	-	4000K

Product Code	Dimensions	CRI	K	W (System)	LM (System)
Ilma/790/80/4000/33W	790mm x 230mm x 135mm	80+	4000K	33W	2903Lm*
Ilma/1372/80/4000/64W	1372mm x 230mm x 135mm	80+	4000K	64W	5949Lm*

Dimensions:



*All Lumen Outputs Stated Above Are Based A Nominal Output That Included A 10% Light Loss, This Can Vary Depending On The Optic Used.



Features:

- Multi-Protection Constant Current Driver
- Explosion Protection: Ex d IIC T6 Gb / Ex tb IIIB T85°C Db
- Designed For Zones 1, 2, 21 And 22 Hazardous Areas
- Minimum Lumen Maintenance: 50 000h (L70B10)

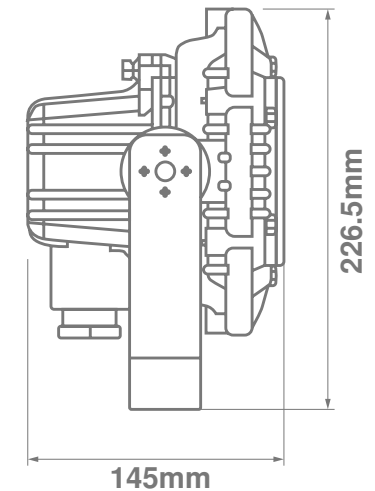
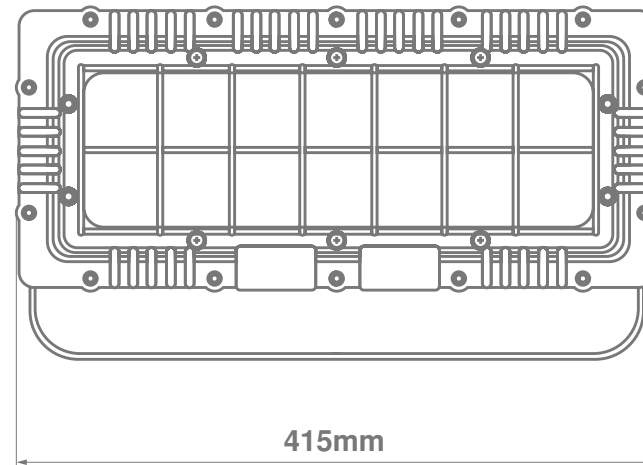


Ordering Example: Product Name/CRI/Kelvin/Beam Angle/Wattage (e.g. Lex60/80/5000/120/60W)

Input Power	LED-Modules	Colour Consistency	Installation Type	Material	Beam Angle	Kelvin
220-240 V	CRI 80+	4-Step MacAdam	Pendant / Wall Mounting Flanges	Aluminium Housing Borosilicate Glass With Stainless Steel Guard	120°	5000K

Product Code	Dimensions	CRI	K	W (System)	LM (System)
Lex60/80/5000/60W	415mm x 226mm x 145mm	80+	5000K	60W	6000Lm*

Dimensions:

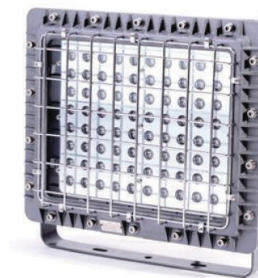


*All Lumen Outputs Stated Above Are Based A Nominal Output That Included A 10% Light Loss, This Can Vary Depending On The Optic Used.



Features:

- Multi-Protection Constant Current Driver
- Explosion Protection: Ex d IIC T6 Gb / Ex tb IIIB T85°C Db
- Designed For Zones 1, 2, 21 And 22 Hazardous Areas
- Minimum Lumen Maintenance: 50 000h (L70B10)

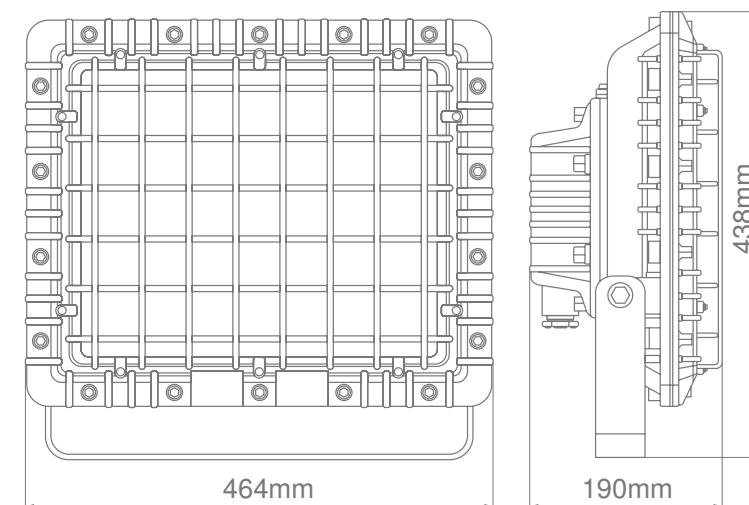


Ordering Example: Product Name/CRI/Kelvin/Beam Angle//Wattage (e.g. Lex160/80/4500/45/120W)

Input Power	LED-Modules	Colour Consistency	Installation Type	Material	Beam Angles	Kelvin
220-240 V	CRI 80+	4-Step MacAdam	Pendant / Wall Mounting Flanges	Aluminium Housing Tempered Glass With Stainless Steel Guard	30° 45° 60°	○ 4500K

Product Code	Dimensions	CRI	K	W (System)	LM (System)
Lex160/80/4500/80W	464mm x 438mm x 190mm	80+	4500K	80W	8800Lm*
Lex160/80/4500/100W	464mm x 438mm x 190mm	80+	4500K	100W	11000Lm*
Lex160/80/4500/120W	464mm x 438mm x 190mm	80+	4500K	120W	13200Lm*
Lex160/80/4500/16W	464mm x 438mm x 190mm	80+	4500K	160W	17600Lm*

Dimensions:



*All Lumen Outputs Stated Above Are Based A Nominal Output That Included A 10% Light Loss, This Can Vary Depending On The Optic Used.



Features:

- Interchangeable SMD Led Gear Tray
- Chemical And Impact Resistance
- Translucent PC Diffuser With UV Protection
- Body Seal: Polyurethane (PUR), Foamed Body Groove
- Minimum Lumen Maintenance: 50 000h (L80B10)

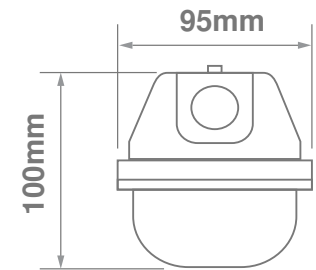


Ordering Example: Product Name/CRI/Kelvin/Length/Installation/Beam Angle/Luminaire Colour/Wattage (e.g. MetropolisWP/80/4000/1572/SUS/110/LG/52W)

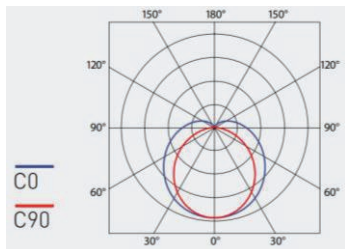
Input Power	Modules	Colour Consistency	Installation Type	Material	Beam Angle	Luminaire Colour	Kelvin
110-220 V	CRI 80+	3-Step MacAdam	Surface Mounted (SUR) Suspension Mounting (SUS)	UV Stabilized , Impact-Resistant Polycarbonate Body Translucent , UV Stabilized Polycarbonate Diffuser	110°	● Light Grey (LG)	● 4000K ● 5000K

Product Code	Dimensions	CRI	K	W (System)	LM (System)
MetropolisWP/1272/80/4000/35W	1272mm x 100mm x 100mm	80+	4000K	35W	4872Lm*
MetropolisWP/1272/80/4000/52W	1272mm x 100mm x 100mm	80+	4000K	52W	6733Lm*
MetropolisWP/1572/80/4000/44W	1572mm x 100mm x 100mm	80+	4000K	44W	6090Lm*
MetropolisWP/1572/80/4000/65W	1572mm x 100mm x 100mm	80+	4000K	65W	8417Lm*

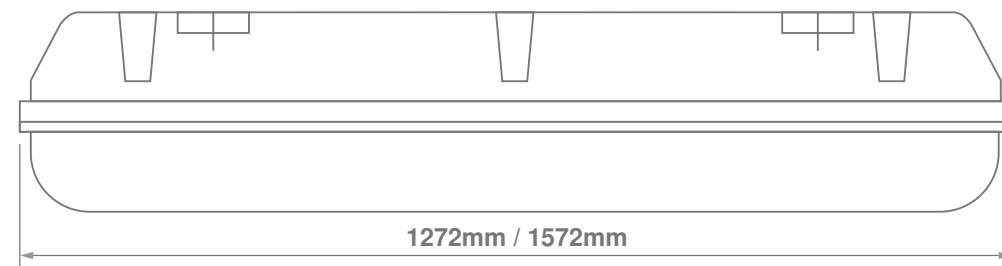
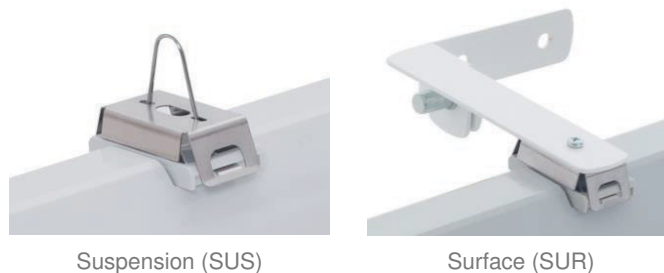
Dimensions:



LIGHT DISTRIBUTION:



INSTALLATION OPTIONS:



*Various Kelvin and CRI options available to suit project requirements, available on request.
*All Lumen Outputs Stated Above Are Based A Nominal Output That Included A 10% Light Loss, This Can Vary Depending On The Optic Used.



Features:

- Double Led Lamps Adjustable To 360°
- Designed For Zones 1, 2, 21 And 22 Hazardous Areas
- Heavy Duty Ni-mh Battery Supplies 90 Minutes Of Illumination
- Explosion Protection: Ex d ib IIC T6 Gb / Ex tb IIIC T6 D
- Minimum Lumen Maintenance: 50 000h (L70B10)

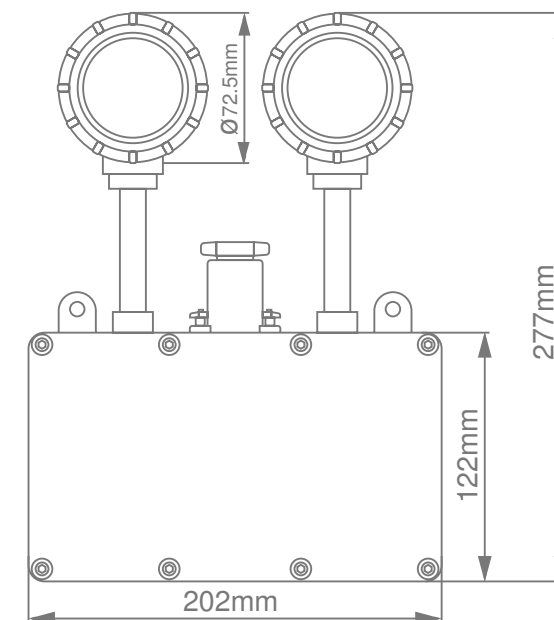


Ordering Example: Product Name/CRI/Kelvin/Wattage (e.g. Orthus/85/5000/2x3W)

Input Power	LED-Modules	Colour Consistency	Installation Type	Material	Beam Angle	Kelvin
220V	CRI 85+	4-Step MacAdam	Pendant Wall Mounted Mounting Flanges	Aluminium Alloy Shock And Temperature Resistant Borosilicate Glass	-	5000K

Product Code	Dimensions	CRI	K	W (System)	LM (System)
Orthus/85/5000/2x3W	277mm x 202mm	85+	5000K	2x 3W	2x 330Lm*

Dimensions:



*Various Kelvin and CRI options available to suit project requirements, available on request.



Typical Applications:

- Isle Illumination
- Large Retail Spaces
- Lecture Halls
- Class Rooms
- Store Rooms
- Continuous Light Runs
- Basement Parking
- Typical Mounting Heights Between 2,5m To 4,0m



Features:

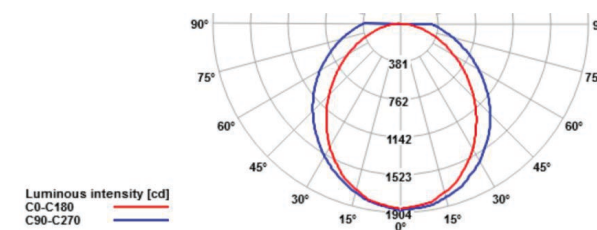
- Efficacy Of Up To 120lm/W*
- Ingress Protection 65 On Request
- Operating Temperature Range: -20°C to 35°C (Ta Ambient)
- Emergency Backup Option Available On Request
- Minimum Lumen Maintenance: 50 000h (L80B10)

Ordering Example: Product Name/CRI/Kelvin/Installation Type/Luminaire Colour/Wattage (e.g. Protega/80/4000/SUR/B/16W)

Input Power	LED-Modules	Colour Consistency	Installation Type	Material	Luminaire Colour	Kelvin
220-240 V	CRI 80+	3-Step MacAdam	Surface (SUR) Suspension Mounted (SUS)	High Impact Extruded Acrylic & ABS	<input type="radio"/> White (W) <input checked="" type="radio"/> Black (B) Other Colours Available On Request	<input checked="" type="radio"/> 4000K <input type="radio"/> 5000K

Product Code	Dimensions	CRI	K	W (System)	LM (System)
Low Power					
Protega/80/4000/16W	600mm x 61mm x 79mm	80+	4000K	16W	2348Lm*
Protega/80/4000/24W	900mm x 61mm x 79mm	80+	4000K	24W	3522Lm*
Protega/80/4000/32W	1200mm x 61mm x 79mm	80+	4000K	32W	4692Lm*
Protega/80/4000/40W	1500mm x 61mm x 79mm	80+	4000K	40W	5870Lm*
Protega/80/4000/47W	1700mm x 61mm x 79mm	80+	4000K	47W	7043Lm*
Protega/80/4000/78W	2300mm x 61mm x 79mm	80+	4000K	78W	10760Lm*

Light Distribution:



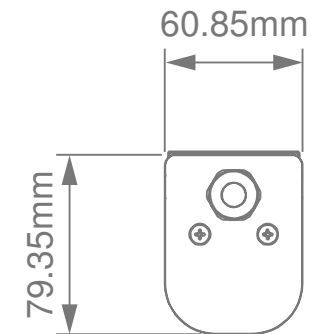
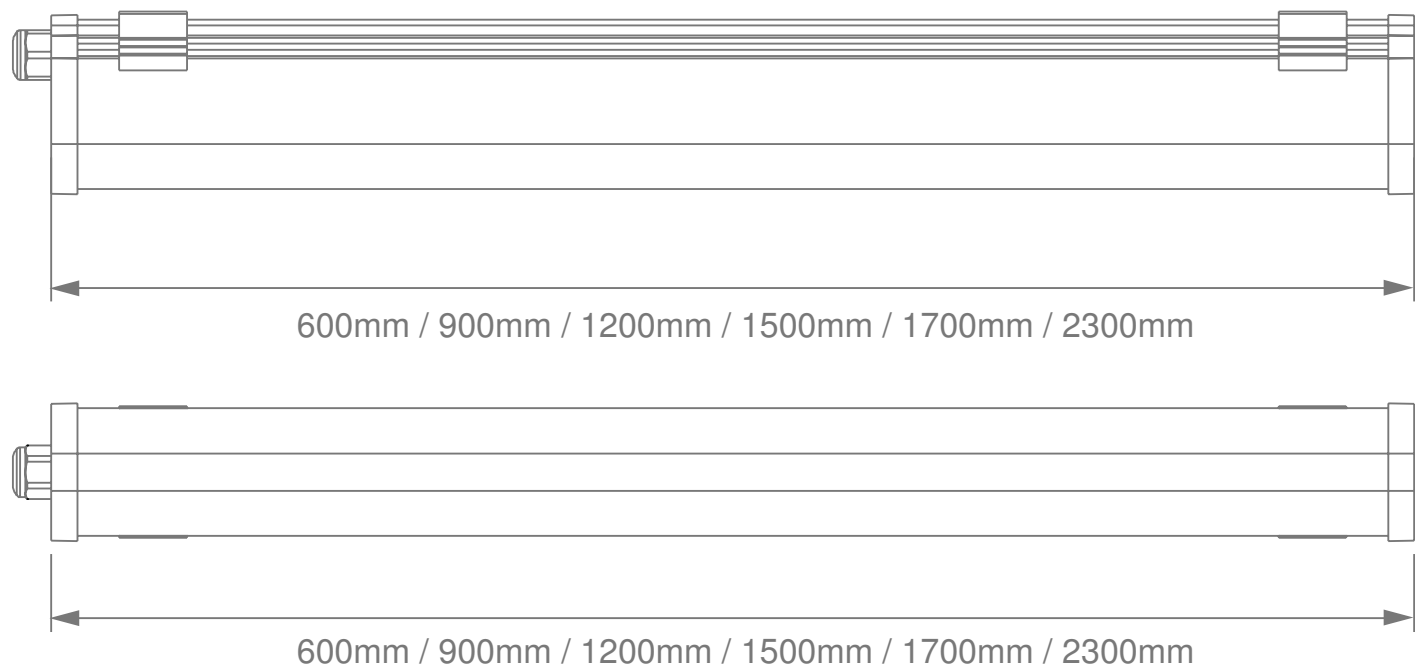
*Various Kelvin and CRI options available to suit project requirements, available on request.

*All Lumen Outputs Stated Above Are Based A Nominal Output That Included A 10% Light Loss, This Can Vary Depending On The Optic Used.

Product Code	Dimensions	CRI	K	W (System)	LM (System)
Medium Power					
Protega/80/4000/23W	600mm x 61mm x 79mm	80+	4000K	23W	3175Lm*
Protega/80/4000/35W	900mm x 61mm x 79mm	80+	4000K	35W	4762Lm*
Protega/80/4000/47W	1200mm x 61mm x 79mm	80+	4000K	47W	6349Lm*
Protega/80/4000/59W	1500mm x 61mm x 79mm	80+	4000K	59W	7937Lm*
Protega/80/4000/70W	1700mm x 61mm x 79mm	80+	4000K	70W	9523Lm*
Protega/80/4000/94W	2300mm x 61mm x 79mm	80+	4000K	94W	12698Lm*

Eco & High Power Options Are Available On Request

Dimensions:



**Various Kelvin and CRI options available to suit project requirements, available on request.
 All Lumen Outputs Stated Above Are Based A Nominal Output That Included A 10% Light Loss, This Can Vary Depending On The Optic Used.



Features:

- Suitable For Use In Prison Cell Subway, Magistrate/Police Holding Cells, Railway Stations And Small Factories
- Vandal Resistant Screws
- SABS Certified Complying With SABS/IEC 60598
- Minimum Lumen Maintenance: 50 000h (L70B10)

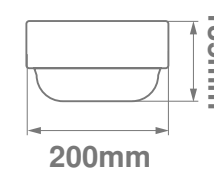


Ordering Example: Product Name/Night Light(NL)/CRI/Kelvin/Length/Beam Angle/Wattage (e.g. Ritza/NL/70/5000/1340/110/41W)

Input Power	Module	Colour Consistency	Installation Type	Material	Beam Angle	Kelvin
220-240 V	T8 Lamps	4-Step MacAdam	Surface Mounted	Powder Coated 304 Or 316 Stainless Steel Body JB Polycarbonate Diffuser	110°	3000K

Product Code	Dimensions	CRI	K	W (System)	Lamp
Ritza/70/5000/740/52W	740mm x 200mm x 135mm	70	5000K	52W	2x 18W
Ritza/NL/70/5000/740/60W	740mm x 200mm x 135mm	70	5000K	60W	2x 18W / 1x 9W CFL
Ritza/70/5000/1340/41W	1340mm x 200mm x 135mm	70	5000K	41W	36W
Ritza/70/5000/1340/84W	1340mm x 200mm x 135mm	70	5000K	84W	2x 36W
Ritza/NL/70/5000/1340/98W	1340mm x 200mm x 135mm	70	5000K	98W	2x 36W / 1x 9W CFL
Ritza/70/5000/1640/63W	1640mm x 200mm x 135mm	70	5000K	63W	58W
Ritza/70/5000/1640/156W	1640mm x 200mm x 135mm	70	5000K	156W	2x 58W
Ritza/NL/70/5000/1640/165W	1640mm x 200mm x 135mm	70	5000K	165W	2x 58W / 1x 9W CFL

Dimensions:



740mm / 1340mm / 1640mm



*NL - With Night Light



Features:

- Efficacy Of Up To 120lm/W*
- Easy Replacement And Installation
- Can Be Used As Either Side Or Back Cable Entry
- Minimum Lumen Maintenance: 50 000h (L80B10)

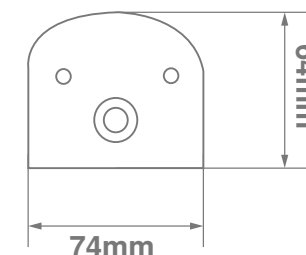


Ordering Example: Product Name/CRI/Kelvin/Length/Wattage (e.g. Saxa/83/4000/1175/35W)

Input Power	LED-Modules	Colour Consistency	Installation Type	Material	Beam Angle	Kelvin
110 - 240 V	CRI 83+	3-Step MacAdam	Surface Mounted	Aluminium Housing Shock & Pressure Proof Polycarbonate	110°	<ul style="list-style-type: none"> ● 2700K ● 3000K ● 4000K ● 5000K ● 6500K

Product Code	Dimensions	CRI	K	W (System)	LM (System)
Saxa/613/83/4000/18W	613mm x 74mm x 64mm	80+	4000K	18W	2160Lm*
Saxa/1175/83/4000/36W	1175mm x 74mm x 64mm	80+	4000K	36W	4320Lm*
Saxa/1456/83/4000/54W	1456mm x 74mm x 64mm	80+	4000K	54W	6480Lm*

Dimensions:



*Various Kelvin and CRI options available to suit project requirements, available on request.

*All Lumen Outputs Stated Above Are Based A Nominal Output That Included A 10% Light Loss, This Can Vary Depending On The Optic Used.

A nighttime cityscape featuring a prominent, brightly lit skyscraper with the Comcast logo at the top. The building is surrounded by other illuminated structures, creating a vibrant urban scene.

Contact

Cape Town

1B Hansen Close,
Richmond Park,
Cape Town
T. +27 21 555 0570

Durban

Unit L, Nandi Park,
34 Brickworks Way
Briardene
T. +27 31 001 2964

Namibia - Windhoek

Unit 2, Tesoro Building,
31 TV More Street
Windhoek
T. +264 61 40 0339

Johannesburg

17 Galaxy Road,
Unit 5A Galaxy Park,
Linbro Park
T. +27 11 262 5179

Port Elizabeth

216 Main Road,
Walmer
Port Elizabeth
T. +27 41 451 4359