

RUBICON
LIGHTING

PICTOR AREA





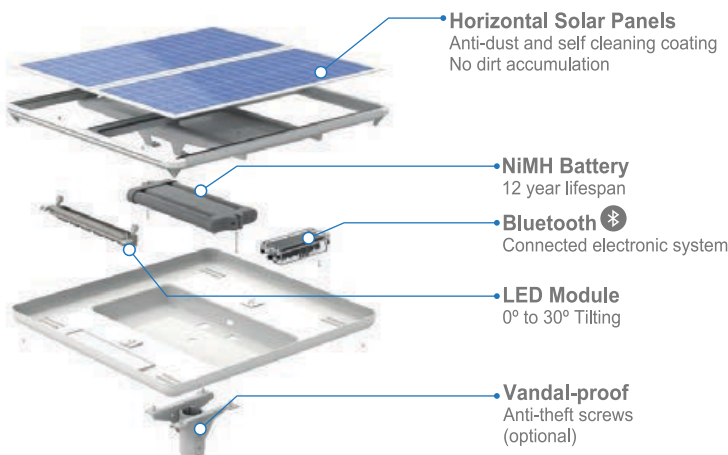
Features:

- Efficacy Of Up To 164Lm/W*
- 12 Year Battery Lifespan
- 25 Year Photovoltaic Panel Lifespan
- Cellphone Based Monitoring
- Built In Motion Sensor
- Optional Off Site Monitoring & Communication
- Resistant To Extreme Climates
- Plug And Play Installation
- Minimum Lumen Maintenance: 50 000h (L80B10)

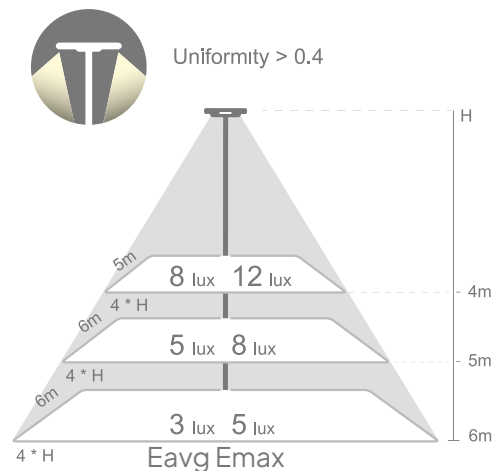


Battery:	24V NiMH High Temperature
Photovoltaic Panels:	Mono-Crystalline 80W (2x 40WP)
Operating Temperature Range: (Ta - Ambient)	- 20°C to +70°C
Colour Temperature: (Kelvin / CCT)	<input checked="" type="radio"/> 3000K <input type="radio"/> 5700K <input type="radio"/> 4000K
Luminous Flux:	3200lm - No Motion 5600lm - Motion Detected
Wattage:	20W - No Motion 50W - Motion Detected
Ingress Protection:	IP65
IK Rating:	IK08
Material:	ABS PMMA Casting Aluminium

Exploded View:



Lighting Performance:

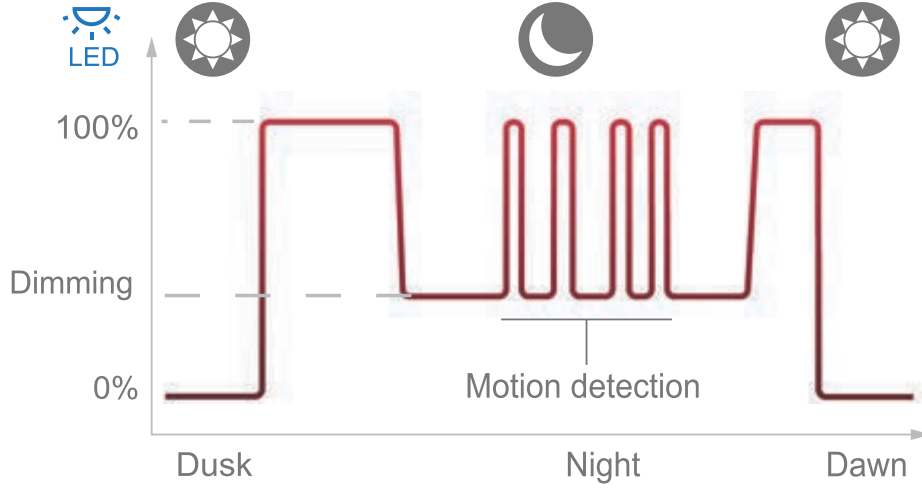


*E & O.E (Errors And Omissions Excepted)

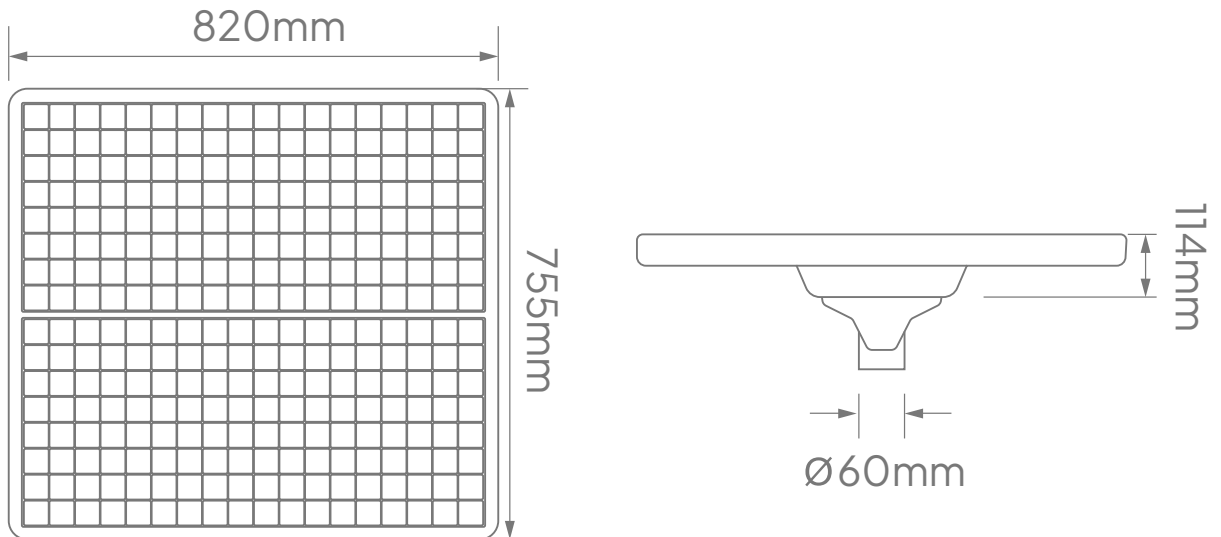
*Due to the rapid development in LED technology the performance values, power consumption and lumen output levels stated above are subject to change without prior notice.

*All lumen outputs stated above are based a nominal output that included a 10% light loss, this can vary depending on the optic used.

Lighting Control:



Dimensions:



*E & O.E (Errors And Omissions Excepted)

*Due to the rapid development in LED technology the performance values, power consumption and lumen output levels stated above are subject to change without prior notice.

*All lumen outputs stated above are based a nominal output that included a 10% light loss, this can vary depending on the optic used.

Contact

Cape Town

1B Hansen Close,
Richmond Park,
Cape Town
T. +27 21 555 0570

Durban

Unit L, Nandi Park,
34 Brickworks Way
Briardene
T. +27 31 001 2964

Namibia – Windhoek

Unit 2, Tesoro Building,
31 TV More Street
Windhoek
T. +264 61 40 0339

Johannesburg

17 Galaxy Road,
Unit 5A Galaxy Park,
Linbro Park
T. +27 11 262 5179

Port Elizabeth

216 Main Road,
Walmer
Port Elizabeth
T. +27 41 451 4359