

RUBICON
LIGHTING

**ORTHUS
EMERGENCY**





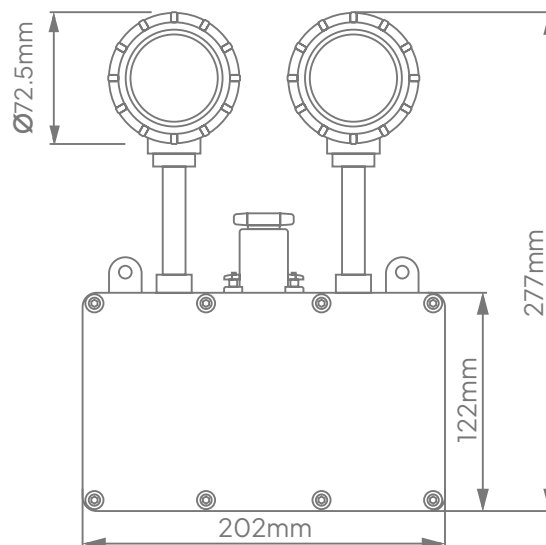
Features:

- Double Led Lamps Adjustable To 360°
- Designed For Zones 1, 2, 21 And 22 Hazardous Areas
- Heavy Duty Ni-mh Battery Supplies 90 Minutes Of Illumination
- Explosion Protection: Ex d ib IIC T6 Gb / Ex tb IIIC T6 D
- Minimum Lumen Maintenance: 50 000h (L70B10)



| | | | | | |
|---|---|-----------------------------|------------|---------------|--------------------------------------|
| Power Supply: | 220-240V AC 50 - 60Hz | | | | |
| Colour Rendering Index: | CRI 85+ | | | | |
| Colour Consistency: | 4-Step MacAdam | | | | |
| Colour Temperature: (Kelvin / CCT) | ○ 5000K | | | | |
| Installation Type: | • Pendant • Wall Mounted • Mounting Flanges | | | | |
| Ingress Protection: | IP65 | | | | |
| IK Rating: | IK08 | | | | |
| Material: | • Aluminium Alloy • Shock And Temperature Resistant Borosilicate Glass | | | | |
| | Dimensions | Wattage (System) | CRI | Kelvin | Luminous Flux (Effective) |
| | 277mm x 202mm | 2x 3W | 85+ | 5000K | 2x 330Lm* |

Dimensions:



*E & O.E (Errors And Omissions Excepted)

*Due to the rapid development in LED technology the performance values, power consumption and lumen output levels stated above are subject to change without prior notice.

*All lumen outputs stated above are based a nominal output that included a 10% light loss, this can vary depending on the optic used.

Contact

Cape Town

1B Hansen Close,
Richmond Park,
Cape Town
T. +27 21 555 0570

Durban

Unit L, Nandi Park,
34 Brickworks Way
Briardene
T. +27 31 001 2964

Namibia – Windhoek

Unit 2, Tesoro Building,
31 TV More Street
Windhoek
T. +264 61 40 0339

Johannesburg

17 Galaxy Road,
Unit 5A Galaxy Park,
Linbro Park
T. +27 11 262 5179

Port Elizabeth

216 Main Road,
Walmer
Port Elizabeth
T. +27 41 451 4359