

RUBICON
LIGHTING

OBERON SINGLE





Features:

- Efficacy Of Up To 111lm/W*
- Adjustable Tilt & Rotate Action
- Emergency Backup Option Available (On Request)
- Passive Cooling
- Minimum Lumen Maintenance: 50 000h (L80B10)



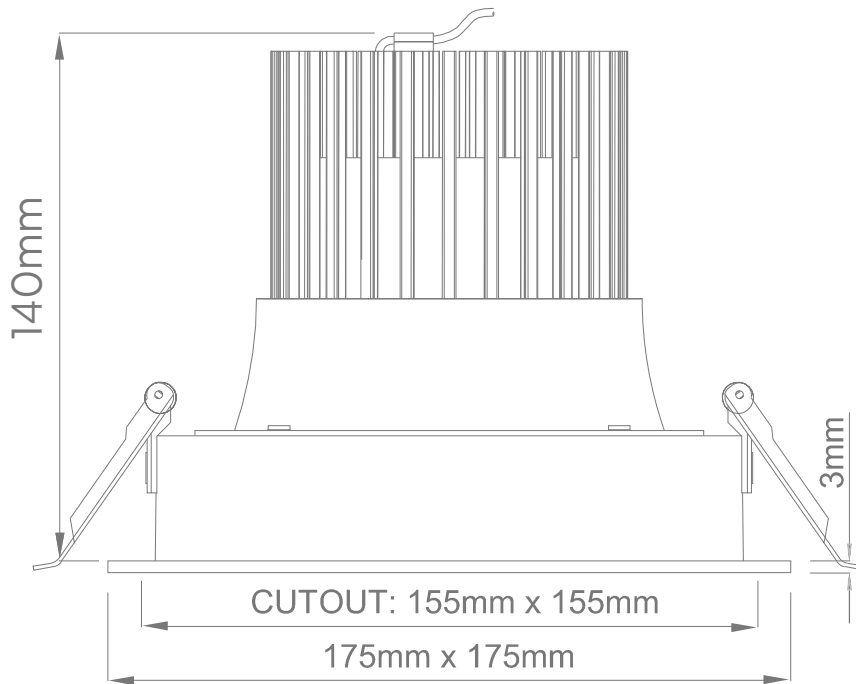
Power Supply:	220-240V AC 50 - 60Hz				
Operating Temperature Range: (Ta - Ambient)	- 20°C to 35°C				
Dimming:	Dali_1-10V (On Request)				
Colour Rendering Index:	CRI 80+ _ CRI 90+ _ CRI 97+				
Colour Consistency:	2-Step MacAdam				
Colour Temperature: (Kelvin / CCT)	<input type="radio"/> 2700K <input type="radio"/> 3500K <input type="radio"/> 5000K <input type="radio"/> 3000K <input type="radio"/> 4000K				
Beam Angle:	24° _ 45°				
Installation Type:	Recessed, Ceiling Mounted Luminaire				
Ingress Protection:	IP43				
Luminaire Colour:	<input type="radio"/> White <input checked="" type="radio"/> Black				
Material:	<ul style="list-style-type: none"> • Powder Coated Aluminium • Clear Protective Glass 				
	Dimensions	Wattage (System)	CRI	Kelvin	Luminous Flux (Effective)
	175mm x 175mm x 140mm (Cut-Out 155mm x 155mm)	27W	80+	3000K	2850Lm*
	175mm x 175mm x 140mm (Cut-Out 155mm x 155mm)	27W	80+	3500K	2750Lm*
	175mm x 175mm x 140mm (Cut-Out 155mm x 155mm)	27W	80+	4000K	3000Lm*
	175mm x 175mm x 140mm (Cut-Out 155mm x 155mm)	27W	90+	3000K	2550Lm*
	175mm x 175mm x 140mm (Cut-Out 155mm x 155mm)	27W	90+	3500K	2650Lm*
	175mm x 175mm x 140mm (Cut-Out 155mm x 155mm)	27W	90+	4000K	2700Lm*

*E & O.E (Errors And Omissions Excepted)

*Due to the rapid development in LED technology the performance values, power consumption and lumen output levels stated above are subject to change without prior notice.

*All lumen outputs stated above are based a nominal output that included a 10% light loss, this can vary depending on the optic used.

Dimensions:



*E & O.E (Errors And Omissions Excepted)

*Due to the rapid development in LED technology the performance values, power consumption and lumen output levels stated above are subject to change without prior notice.

*All lumen outputs stated above are based a nominal output that included a 10% light loss, this can vary depending on the optic used.

Contact

Cape Town

1B Hansen Close,
Richmond Park,
Cape Town
T. +27 21 555 0570

Durban

Unit L, Nandi Park,
34 Brickworks Way
Briardene
T. +27 31 001 2964

Namibia – Windhoek

Unit 2, Tesoro Building,
31 TV More Street
Windhoek
T. +264 61 40 0339

Johannesburg

17 Galaxy Road,
Unit 5A Galaxy Park,
Linbro Park
T. +27 11 262 5179

Port Elizabeth

216 Main Road,
Walmer
Port Elizabeth
T. +27 41 451 4359